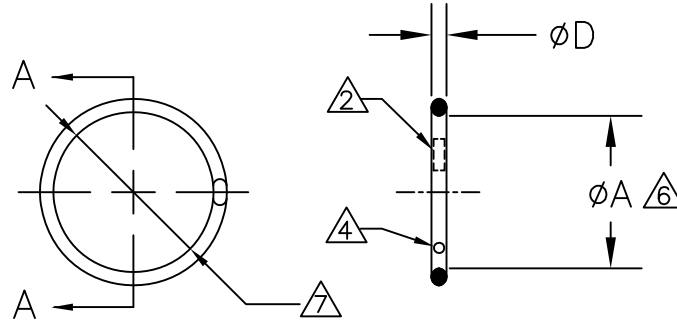


TE CONNECTIVITY (TE) RESERVES THE RIGHT TO CHANGE THIS DRAWING AT ANYTIME. USERS SHOULD EVALUATE THE SUITABILITY OF THE PRODUCT FOR THEIR APPLICATION.

REVISIONS			
LTR	DESCRIPTION	DATE	APPROVED
D	REVISED PER ECO-12-021589	12/11/2012	G.WELLS
E	REVISED PER ECO-15-018009	12/11/2015	I.MYONG

SCOPE:

THIS SPECIFICATION PROVIDES A DESCRIPTION OF HEAT-TO-RECOVER METAL RINGS FOR TERMINATING BRAIDED SHIELD ONTO ADAPTORS DESIGNED FOR THAT PURPOSE.



PART DESCRIPTION:


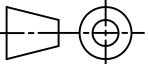
TR	XX	X	I	
				INSULATING LINING
				BRAID DESIGNATOR
				A-36 AWG BRAID, 1 LAYER
				B-36 AWG BRAID, 2 LAYERS
				B-30 AWG BRAID, 1 LAYER
				C-32 AWG BRAID, 2 LAYERS
				REFER TO MSG-101 FOR RING AND BRAID SELECTION
				RING SIZE (MATCHES TXR ADAPTER ENTRY SIZE)
				PRODUCT DESIGNATOR

NOTES: UNLESS OTHERWISE SPECIFIED.

- 1 MATERIAL: NICKEL/TITANIUM HEAT-TO-RECOVER SHAP MEMORY ALLOY.
- 2 THE OUTSIDE SURFACE OF THE RING IS MARKED WITH TWO STRIPES OF THERMOCHROMIC PAINT WHICH CHANGE COLOR WHEN THE APPROPRIATE INSTALLATION TEMPERATURE IS REACHED.
- 3. "AI" RINGS ARE IDENTIFIED BY THE ABSENCE OF A RED OR BLUE DOT. REFER TO NOTE 4 BELOW.
- 4. "BI" RINGS ARE MARKED WITH A RED DOT. "CI" RINGS ARE MARKED WITH A BLUE DOT.
- 5. REFER TO MIP-101 FOR INSTALLATION PROCEDURE AND PERFORMANCE REQUIREMENT.
- 6 AVERAGE OF MEASUREMENTS TAKEN AT 3 POINTS, EQUALLY SPACED ON WELD AND OFF WELD.
- 7 SHAPE OF THE RING TO BE MOSTLY CIRCULAR. CERTAIN SIZES (LARGER) MAY HAVE MULTIPLE SIDES.

© 2015 TE CONNECTIVITY LTD. FAMILY OF COMPANIES. ALL RIGHTS RESERVED
 TE CONNECTIVITY AND TE CONNECTIVITY (LOGO) ARE TRADEMARKS.
 OTHER LOGOS PRODUCT AND/OR COMPANY NAMES MAY BE TRADEMARKS OF THEIR RESPECTIVE OWNERS.

Raychem Adapters
 CUSTOMER DRAWING

UNLESS OTHERWISE SPECIFIED DIMENSIONS ARE NOT APPLIED.	DRAWN E. GOLDY	DATE 05-17-93	 TE Connectivity			
	REDRAWN T. NGUYEN	DATE 05-17-93				
DECIMAL TOLERANCES .XXX ± -- [mm] .XX ± -- [mm] .X ± -- [mm]	APPROVED I. MYONG	DATE 12-08-15	TITLE TINEL-LOCK RING			
	CAD FILE: TR.dwg					
ANGLE TOLERANCE .X ± --	THIRD ANGLE PROJECTION		SIZE A	CAGE CODE: 06090	DWG. NO. TR	REV: E
			SCALE: NONE	SHEET 1 OF 2		

PART DESCRIPTION	ϕA		ϕD
	MIN AS SUPPLIED	MAX FREE RECOVERED	
TR04AI	.397 [10.08]	.379 [9.63]	.073±.005 [1.85±.13]
TR04BI	.416 [10.57]	.398 [10.11]	.073±.005 [1.85±.13]
TR05AI	.460 [11.68]	.440 [11.18]	.073±.005 [1.85±.13]
TR05BI	.479 [12.17]	.458 [11.63]	.073±.005 [1.85±.13]
TR06AI	.523 [13.28]	.499 [12.68]	.073±.005 [1.85±.13]
TR06BI	.548 [13.92]	.523 [13.28]	.073±.005 [1.85±.13]
TR07AI	.586 [14.88]	.559 [14.20]	.073±.005 [1.85±.13]
TR07BI	.606 [15.39]	.578 [14.68]	.073±.005 [1.85±.13]
TR08AI	.650 [16.51]	.620 [15.75]	.073±.005 [1.85±.13]
TR08BI	.670 [17.02]	.639 [16.23]	.073±.005 [1.85±.13]
TR10AI	.782 [19.86]	.744 [18.90]	.073±.005 [1.85±.13]
TR10BI	.802 [20.37]	.763 [19.38]	.073±.005 [1.85±.13]
TR10CI	.830 [21.08]	.791 [20.09]	.073±.005 [1.85±.13]
TR12AI	.912 [23.17]	.867 [22.02]	.073±.005 [1.85±.13]
TR12BI	.931 [23.65]	.886 [22.50]	.073±.005 [1.85±.13]
TR12CI	.960 [24.38]	.912 [23.17]	.073±.005 [1.85±.13]
TR14AI	1.040 [26.42]	.988 [25.10]	.073±.005 [1.85±.13]
TR14BI	1.060 [26.92]	1.007 [25.58]	.073±.005 [1.85±.13]
TR14CI	1.089 [27.66]	1.033 [26.24]	.073±.005 [1.85±.13]
TR16AI	1.171 [29.74]	1.111 [28.22]	.073±.005 [1.85±.13]
TR16BI	1.191 [30.25]	1.129 [28.68]	.073±.005 [1.85±.13]
TR16CI	1.216 [30.89]	1.154 [29.31]	.073±.005 [1.85±.13]
TR18AI	1.301 [33.05]	1.234 [31.34]	.073±.005 [1.85±.13]
TR18BI	1.320 [33.53]	1.252 [31.80]	.073±.005 [1.85±.13]
TR20AI	1.430 [36.32]	1.357 [34.47]	.073±.005 [1.85±.13]
TR20BI	1.450 [36.83]	1.376 [34.95]	.073±.005 [1.85±.13]
TR22AI	1.543 [39.19]	1.463 [37.16]	.084±.005 [2.13±.13]
TR22BI	1.561 [39.65]	1.481 [37.62]	.084±.005 [2.13±.13]
TR24AI	1.673 [42.49]	1.587 [40.31]	.084±.005 [2.13±.13]
TR24BI	1.691 [42.95]	1.605 [40.77]	.084±.005 [2.13±.18]
TR28AI	1.932 [49.07]	1.838 [46.68]	.084±.005 [2.13±.13]
TR28BI	1.950 [49.53]	1.858 [47.19]	.084±.005 [2.13±.13]

© 2015 TE CONNECTIVITY LTD. FAMILY OF COMPANIES. ALL RIGHTS RESERVED
 TE CONNECTIVITY AND TE CONNECTIVITY (LOGO) ARE TRADEMARKS.
 OTHER LOGOS PRODUCT AND/OR COMPANY NAMES MAY BE TRADEMARKS OF THEIR RESPECTIVE OWNERS.

Raychem Adapters
 CUSTOMER DRAWING

REDRAWN T. NGUYEN	DATE 12-07-2015	SIZE A	CAGE CODE: 06090	DWG. NO. TR	REV: E
CAD FILE: TR-CD		SCALE: NONE			SHEET 2 OF 2

X-ON Electronics

Largest Supplier of Electrical and Electronic Components

Click to view similar products for [Circular MIL Spec Tools, Hardware & Accessories](#) *category:*

Click to view products by [TE Connectivity](#) *manufacturer:*

Other Similar products are found below :

[809-199-3](#) [001104](#) [300 04](#) [0113-201-2025](#) [600-006-16](#) [600-079-06](#) [M10-101982-143](#) [M10-101982-163](#) [M10-101983-183](#) [M10-150912-083](#)
[M10-454396-008](#) [602GB18808](#) [CS3102A-22-14PW](#) [M225201-06](#) [M24758-20E21](#) [M2887610-BC](#) [M2887615-CD](#) [M38999/9-19B](#) [62GB-](#)
[812-10](#) [630A007NF083A](#) [630B007M051A](#) [630BJ003NF032H](#) [637-149NF04B](#) [M39029/29-215](#) [650FS002NF16](#) [M81969-14-02](#) [660-](#)
[008NF14S7-01](#) [660-009M22H8-03](#) [660-013NF19U6-210](#) [660-015M10S6-17](#) [660-015NF10S5-01](#) [660-015NF14R3.5-01](#) [660-023NF19H6-19](#)
[660-024N09S5-104](#) [660-024NF11S12-01](#) [660-024NF11S3-01](#) [660-024NF17S4-109](#) [660-050XM17F4-01](#) [660-068NF25R6-30G](#) [660-](#)
[070M23S8-04](#) [660-073MTCH9-20](#) [M83723/60-116RC](#) [M83723/61-18W](#) [M83723/61-218R](#) [M83723/61-224W](#) [667-084-23C](#) [667-084-35C](#)
[667-224NF16](#) [M85049/126S11N](#) [M85049130-07M](#) [M85049140-09BC](#)