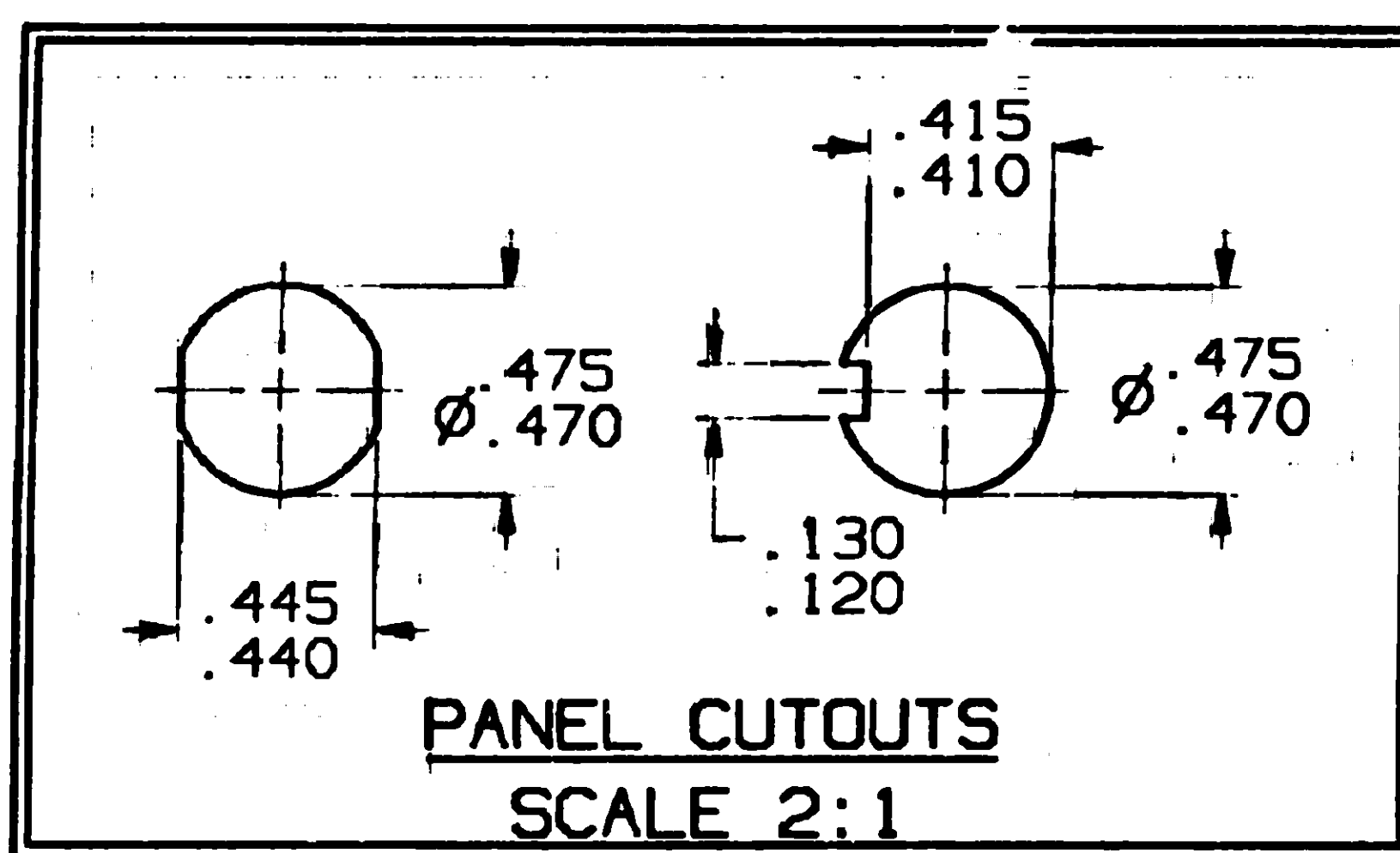
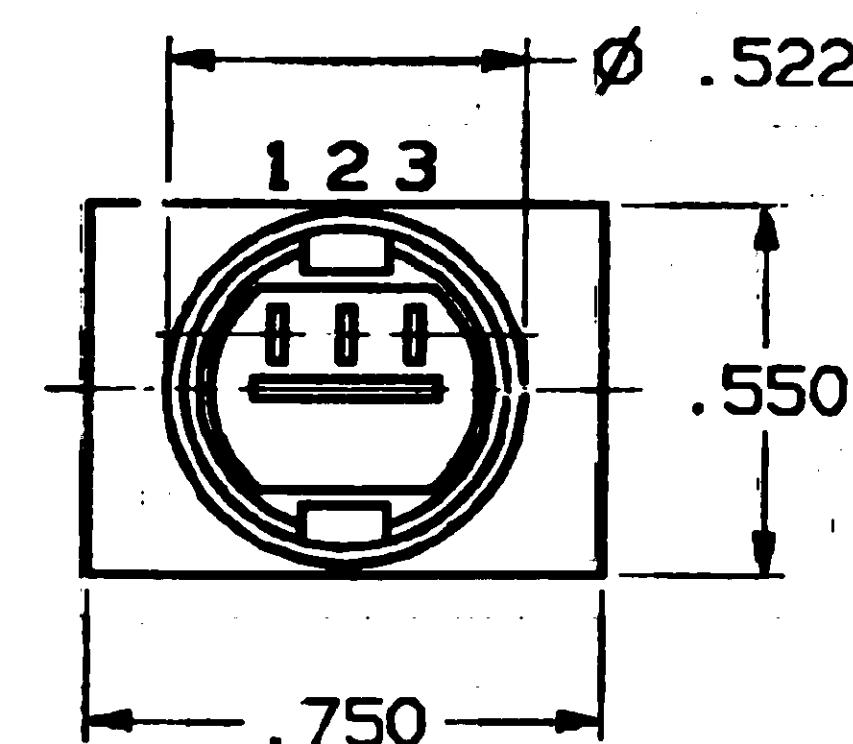
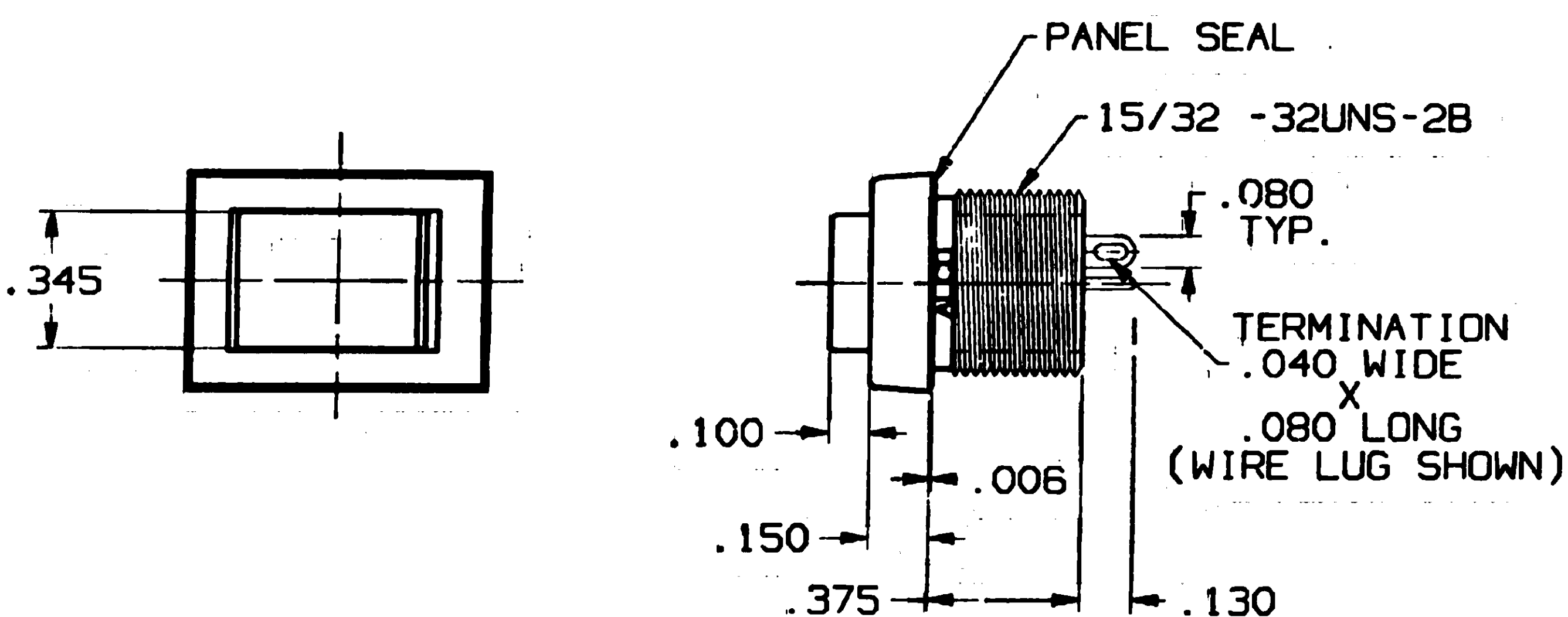
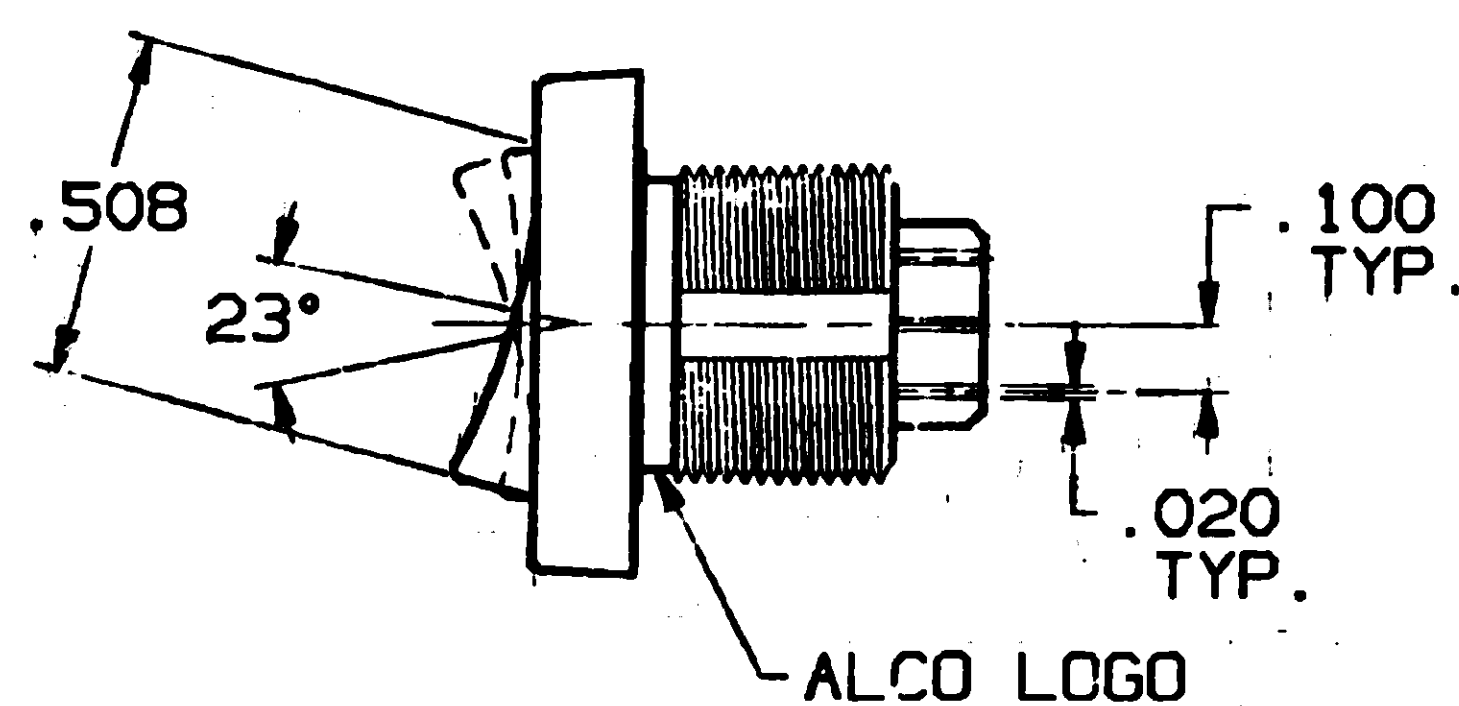


CONVERSION CHART	
INCH	MM
.006	0.15
.010	0.25
.020	0.51
.040	1.02
.080	2.03
.100	2.54
.130	3.30
.130	3.30
.120	3.05
.150	3.81
.160	4.10
.345	8.76
.375	9.53
.415	10.54
.410	10.41
.445	11.30
.440	11.18
.475	12.07
.470	11.94
.508	12.9
.522	13.25
.550	13.97
.750	19.05



**SPECIFICATIONS:**

**MATERIAL:**  
CASE: POLYAMIDE.  
ACTUATOR: POLYAMIDE.  
MOVING CONTACT: COPPER ALLOY, GOLD 0.4A OVER NICKEL.  
FIXED CONTACT: COPPER ALLOY, GOLD 0.4A OVER NICKEL.  
TERMINALS: COPPER ALLOY, GOLD 0.4A OVER NICKEL.

**ELECTRICAL:**  
CONTACT RATING: GOLD: 0.4 VA MAX. @ 20 VDC OR PEAK AC.  
INITIAL CONTACT RESISTANCE: 20 MILLIOHMS MAX.  
INSULATION RESISTANCE: 1000 MEGOHMS MIN. @ 500 VDC.  
DIELECTRIC STRENGTH: 500 V RMS @ SEA LEVEL.  
LIFE EXPECTANCY: 100,000 CYCLES MIN. (2 POSITION).  
50,000 CYCLES MIN. (3 POSITION).

**ENVIRONMENTAL:**  
OPERATING TEMPERATURE: -4°F TO +176°F (-20°C TO +80°C).  
STORAGE TEMPERATURE: -49°F TO +199°F (-45°C TO 93°C).

**NOTES:**

- INTERPRET DRAWING PER ASME Y14.5M-1994.
- MOUNTING HARDWARE: (1) 5/8" HEX NUT AND (1) INTERNAL TOOTH LOCKWASHER SUPPLIED WITH SWITCH.

FUNCTION CHART			
TRD11G-1-XX	(2-3)	OFF	(2-1)
TRD11H-1-XX	2-3	OFF	(2-1)
TRD11F-1-XX	2-3	NONE	(2-1)
TRD11E-1-XX	2-3	OFF	2-1
TRD11D-1-XX	2-3	NONE	2-1

SWITCH ACTION	ALCO LOGO	ALCO LOGO	ALCO LOGO
( ) - INDICATES A MOMENTARY CIRCUIT CLOSURE.			

TERMINALS CONNECTED WHEN TOGGLE IS IN POSITION SHOWN.  
NOTE: TERMINAL DESIGNATION NUMBERS ARE FOR REFERENCE ONLY, AND DO NOT APPEAR ON SWITCHES.

ROCKER COLORS	
0-BLACK	
2-RED	
6-BLUE	
9-WHITE	

XX TERMINATIONS	
WL WIRE LUG	
QC QUICK CONNECT	
WW WIRE WRAP	
PC PRINTED CIRCUIT	

THIS IS A C.A.D. GENERATED DRAWING.  
DO NOT MAKE MANUAL REVISIONS TO MASTER.

**OUTLINE DRAWING**  
SPECIFICATIONS ARE SUBJECT TO CHANGES WITHOUT NOTICE

<b>REVISIONS</b> REV O INT'L RELEASE ESR/AB486 TRU-D 7-09-97 APP'D JLS 7-22-97	<b>THIRD ANGLE PROJECTION</b> 	UNLESS OTHERWISE SPECIFIED DIMENSIONS ARE IN INCHES DO NOT SCALE PRINT	ORIGINAL DATE OF DRAWING: 7-09-97 DRAWN: TRUDY DATE: 7-09-97 CHECKED: DATE: APPROVED: DATE:	<b>AUGAT</b> INC. 45 JOHN DIETSCH BLVD. BORC FALLE, MASS. 02763 <b>TITLE: OUTLINE DRAWING</b> <b>ROCKER SWITCH</b> <b>(TRD SPDT SERIES)</b> DWG. NO. 40313 REV. O <b>PRODUCT CODE:</b> SCALE: 1 1/2" = 1" SHEET 1 OF 1
	<b>TOLERANCES (EXCEPT AS NOTED)</b> ANGULAR = ± 3° DECIMAL .XX = ± DECIMAL .XXX = ±.010 DECIMAL .XXXX = ±	FILE NAME: 40319OUT DIRECTORY: ROKSWTCH	DRAWN: TRUDY DATE: 7-09-97 CHECKED: DATE: APPROVED: DATE:	
	<b>AUGAT CONFIDENTIAL</b> This document contains information which is the exclusive property of Augat Inc. Distribution, reproduction or use by others is not permitted without the expressed written consent of Augat Inc.	MATERIAL: SEE SPECIFICATIONS	CODE IDENT. NO. 91506 DWG. SIZE C	
	FINISH: SEE SPECIFICATIONS	NEXT ASSY.		

CAD080992C

## X-ON Electronics

Largest Supplier of Electrical and Electronic Components

*Click to view similar products for [Rocker Switches](#) category:*

*Click to view products by [TE Connectivity](#) manufacturer:*

Other Similar products are found below :

[LTILA6E-1S-WH-RC-FN12VXCR1](#) [6-1571986-9](#) [8007K26N324V52](#) [8055K23Z7V](#) [8055K32Z7V](#) [8055K52Z7V](#) [8138K20E6M50](#) [84206L](#)  
[84312LX](#) [PREDD5-07F-BB0GW](#) [999-16716-002](#) [999-16716-003](#) [999-16716-004](#) [A101J1V3Q004](#) [A101J2ZQ004](#) [A101J4ZQ004](#)  
[A101J51CB0004](#) [A103J1ZQ004](#) [A201J1AQ004](#) [A201J3ZB004](#) [A201J50ZQ004](#) [A203J51ZQ0004](#) [A435S1YZQ](#) [H8500XBBBBL-A](#)  
[H8653VBBG2577W](#) [HB130CHNWWNAAC](#) [R13112ABB-602W](#) [1251.0303](#) [AE205J60V3B004](#) [1352.0107](#) [1500G51E](#) [1571099-3](#)  
[1571987-4](#) [1571987-5](#) [1571989-7](#) [1571988-5](#) [B123J77V7B2](#) [B226J50W4Q22P](#) [B433J37ZQ22M](#) [160212E](#) [1634200-7](#) [1801.1164](#) [1839.1502](#)  
[PANEL-PLUG-VHP-BLACK](#) [PANEL-PLUG-VHP-WT](#) [K1ABBSCADN](#) [K2ABAAAAAA](#) [KG312A2DXD246X](#) [250011E714](#) [2600HM11E](#)