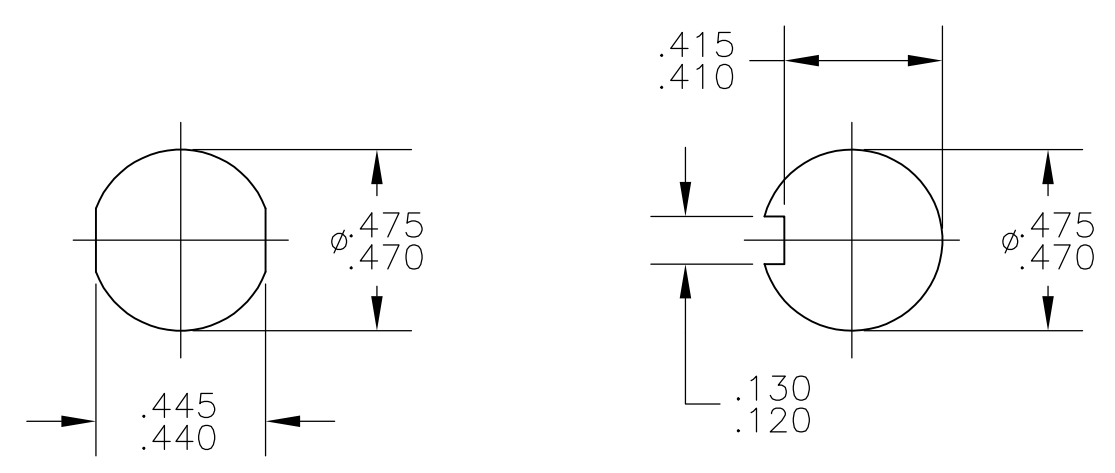


- NOTES:
- ALL MATERIALS AND FINISHES COMPLY WITH EU DIRECTIVE 2002/95/EC OF 27JAN2003 (RoHS).
  - TERMINAL NUMBERS ARE FOR REFERENCE ONLY AND DO NOT APPEAR ON THE SWITCHES.
  - MOUNTING HARDWARE: (1) HEX NUT AND (1) INTERNAL TOOTH LOCKWASHER SUPPLIED WITH SWITCH.

MATERIAL CHART		
COMPONENT NAME	BASE MATERIAL	FINISH
CASE	PP0, BLACK, UL94-HB	
ROCKER	NYLON 6/6, BLACK, UL94-V2	
SPRING	MUSIC WIRE	
SPRING, G FUNCTION	MUSIC WIRE	
INSULATOR	POLYETHERIMIDE, NATURAL	
TERMINAL, END, D, E & G FUNCTIONS	SILVER CLAD COPPER	GOLD OVER NICKEL
TERMINAL, CENTER, D, E & G FUNCTIONS	BRASS	GOLD OVER NICKEL
YOKE, E FUNCTION	BRASS	GOLD OVER NICKEL
ROCKER CONTACT	SILVER CLAD COPPER	
ROCKER CONTACT, G FUNCTION	SILVER CLAD COPPER	SILVER
NUT	BRASS	NICKEL
LOCKWASHER	STAINLESS STEEL	
TERMINAL SEAL	ACRYLIC RESIN	
LED WINDOW	ACRYLIC, TRANSPARENT	
LED		

SPECIFICATION CHART	
RATING	3A MAX @ 125 VAC OR 28 VDC, RESISTIVE
INITIAL CONTACT RESISTANCE	20 MILLIOHMS MAX.
INSULATION RESISTANCE	1,000 MEGAOHMS MIN @ 500 VDC
DIELECTRIC WITHSTANDING VOLTAGE	500 V RMS AT SEA LEVEL
ELECTRICAL LIFE, 2 POSITION	80,000 CYCLES
ELECTRICAL LIFE, 3 POSITION	10,000 CYCLES
MECHANICAL LIFE, 2 POSITION	100,000 CYCLES
MECHANICAL LIFE, 3 POSITION	50,000 CYCLES
OPERATING TEMPERATURE	-20°C TO +80°C
STORAGE TEMPERATURE	-45°C TO +95°C
LED VOLTAGE	2.8 VDC MAX.
LED FORWARD CURRENT, MAX.	RED: 20mA, GREEN: 25mA, RED/GREEN: 40mA



PANEL CUTOUTS  
SCALE 2:1

FUNCTION CHART									
PART NUMBER	ALCO P/N	POLE	THROWS	RATING	LED COLOR				
1825426-1	TRD13D10WLLR204	1	2	3A	RED	ON	NONE	ON	
1825426-2	TRD13D10WLLR2504	1	2	3A	RED/GREEN	ON	NONE	ON	
1825426-3	TRD13D10WLLR504	1	2	3A	GREEN	ON	NONE	ON	
1825426-4	TRD13E10WLLR204	1	2	3A	RED	ON	OFF	ON	
1825426-5	TRD13G10WLLR204	1	2	3A	RED	(ON)	OFF	(ON)	
						TERMINALS CONNECTED	2-1	-	2-3

NONE: NO MECHANICAL POSITION  
 OFF: MECHANICAL POSITION WITH NO ELECTRICAL CONNECTION  
 (ON): MOMENTARY ACTION

THIS DRAWING IS A CONTROLLED DOCUMENT.

DIMENSIONS: INCHES	TOLERANCES UNLESS OTHERWISE SPECIFIED:	0 PLC ± .010	1 PLC ± .005	2 PLC ± .005	3 PLC ± .005	4 PLC ± .005	ANGLES ± .5°	FINISH SEE TABLE
--------------------	--	--------------	--------------	--------------	--------------	--------------	--------------	------------------

CHK: M. ZITTO	DATE: 17JUN06	NAME: M. ZITTO	PRODUCT SPEC: TRD SERIES ROCKER SWITCH
APPD: M. ZITTO	DATE: 17JUN06	NAME: M. ZITTO	APPLICATION SPEC: 1 POLE, 3A, WIRE LUG TERMINALS WITH LED
SIZE: A1	CAGE CODE: 00779	DRAWING NO: 1825426	RESTRICTED TO: -
WEIGHT: -	CUSTOMER DRAWING	SCALE: 4:1	SHEET: 1 OF 1

Tyco Electronics Corporation  
Harrisburg, Pa 17105-3608

## X-ON Electronics

Largest Supplier of Electrical and Electronic Components

*Click to view similar products for [Illuminated Rocker Switches](#) category:*

*Click to view products by [TE Connectivity](#) manufacturer:*

Other Similar products are found below :

[KG312A2DXD246X](#) [AML26FBF2CA01GX](#) [CRE22F2BBALE](#) [35-3580-BU](#) [35-3630](#) [35-3585](#) [35-655](#) [35-656-BU](#) [35-689](#) [35-693](#) [35-694](#)  
[MLW3015-F-LF-2A](#) [MLW3023-00RA-1A](#) [V1D1B60BGDC4S-100](#) [LRA32H2FBGLN](#) [LRA22H2FBRLN](#) [TRG22F2BBRLN](#)  
[RR3405ALRED](#) [CR102J5GS215QF6](#) [KG412A2XEA26X3](#) [KG412A2XDA26X6](#) [A8A-216-1](#) [A8A-223-1A](#) [AML26FBF2CA04RX](#)  
[AML26FBF2DA05YX](#) [GRL-2011-1600](#) [632121-1B-KN](#) [632122-2B-JA](#) [632152-2B-3N](#) [6321524B4E](#) [632221-4B-KN](#) [632421-2B-KE](#)  
[L11B1A801-A7Z00-000](#) [L11B1AJ01-AHZ00-000](#) [L11B1DD01-ARZ00-000](#) [L11D1A601-AMZ00-000](#) [L11D1AH01-00000-000](#)  
[L11D1EHN1-A7900-000](#) [LRA211-CR-B/125N](#) [LRA211-RS-B/125N](#) [LRA511-CB-B012V](#) [LRA511-RS-B012V](#) [LRA511-RS-B/24V-XZP1](#)  
[LRA910-RS-B/250N/O-I](#) [LRA911-CR-B/250N](#) [LRA911RS -B120N](#) [LRGSCCK511-RS-B-0/012V](#) [LRGSCCK511-R-S-B-A/012V](#) [LRGSCCK611-](#)  
[C-G-B-0125N](#) [LRGSCCK611-RS-B-0125N](#)