



KISSLING PUSH BUTTON SWITCH

Series TS - from TE Connectivity (TE)

Quality Switch

Our push button switches are designed and manufactured to the highest quality standards. The switches are available as 1-pole and 2-pole versions with change-over function. These switch types are suited for various mounting conditions and meet your individual requirements. The push button itself is available in various colors, with different symbols on the actuator and also as an illuminated version.

The push button switch is characterized by its IP6K9K sealing rating and its high shock and vibration resistance. It is highly suitable for performance under demanding environmental conditions.

Features

- Central thread & flange mounting options
- DIN Connector, solder pins, or flying lead electrical connection options
- Various actuator colors available both with or without function symbols
- Indicator light option (integrated LED)

Applications

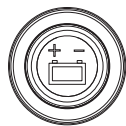
- Commercial vehicles
- Plant and industrial engineering
- System start/stop applications
- Remote control panels

Actuator Symbol

Without print



Battery



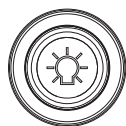
Start



Stop



Lamp



Motor



other types and special types upon request

KISSLING PUSH BUTTON SWITCH

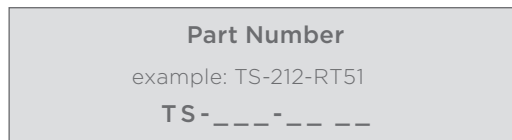
Series TS

Specification

Technical Data

Temperature range	-40°C to +90°C
Thread sizes / Torque	M30 = max. 5Nm M6 = max 7Nm
Pre-travel	1.5 ± 0.5mm
Contact travel	2.5 ± 0.5mm
Operating force	max. 40N
Mechanical life	100.000 cycles
Frequency	max. 100/min
Voltage range	9VDC - 32VDC
Resistive load	10mA - 5A

Ordering Information



Series

TS	Push Button Switch
-----------	--------------------

Housing

1	Socket
2	Central thread

Switching function

0	Indicator light
1	Change-over 1-pole
2	Change-over 2-pole

Connector

1	Bayonet connection
2	Solder sonnection
3	Cable connection

Lighting

1	without
2	with (only 1-pole)

Actuator symbol

1	Without print
2	Battery
3	Start
4	Stop
5	Lamp
6	Motor

Actuator color

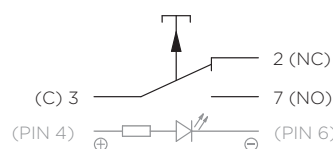
RT	red
BL	blue
SW	black
GE	yellow
GN	green

Circuits

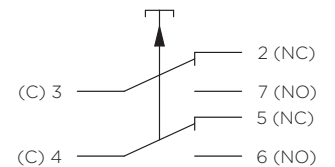
Indicator Light



Change-over 1-pole



Change-over 2-pole

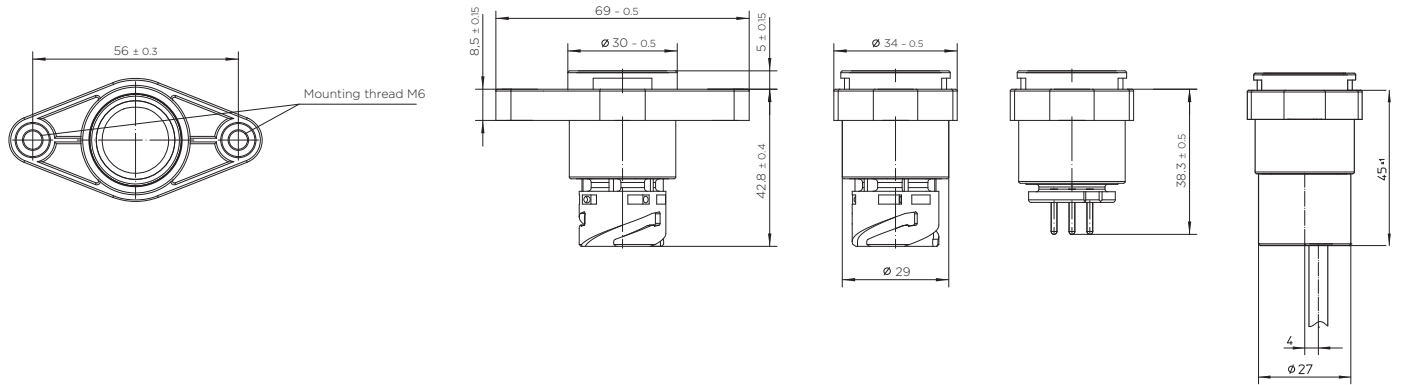


KISSLING PUSH BUTTON SWITCH

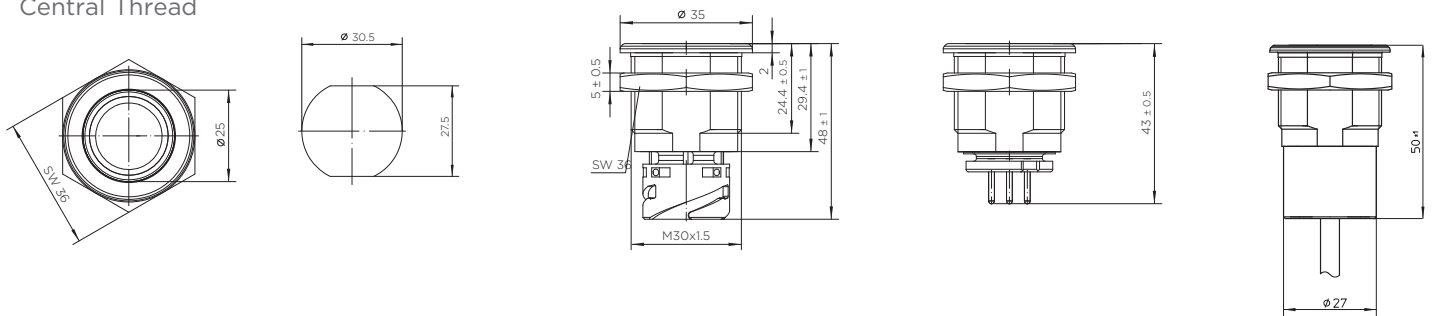
Series TS

Technical drawings

Housing Socket

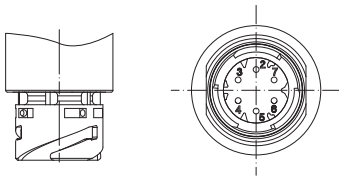


Socket Central Thread

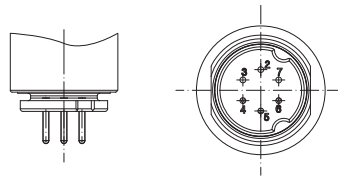


Connector

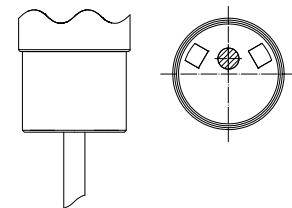
Bayonet connection DIN 72585/ ISO 15170-A1-2.1-Ag/K1



Solder connection



Cable connection



te.com

TE Connectivity, TE, TE connectivity (logo) and KISSLING (word) are trademarks owned or licensed by the TE Connectivity family of companies. All other logos, products and/or company names referred to herein might be trademarks of their respective owners.

The information given herein, including drawings, illustrations and schematics which are intended for illustration purposes only, is believed to be reliable. However, TE Connectivity makes no warranties as to its accuracy or completeness and disclaims any liability in connection with its use. TE Connectivity's obligations shall only be as set forth in TE Connectivity's Standard Terms and Conditions of Sale for this product and in no case will TE Connectivity be liable for any incidental, indirect or consequential damages arising out of the sale, resale, use or misuse of the product. Users of TE Connectivity products should make their own evaluation to determine the suitability of each such product for the specific application.

© 2020 TE Connectivity | All Rights Reserved.
K1166725 | Version 08/2020

X-ON Electronics

Largest Supplier of Electrical and Electronic Components

Click to view similar products for [Pushbutton Switches](#) category:

Click to view products by [TE Connectivity](#) manufacturer:

Other Similar products are found below :

[8940K2012](#) [LW1L-M1C10V-A](#) [LW1L-M1C70-A](#) [LW2L-A1C20M-GD](#) [LW2L-M1C20M-A](#) [60324L](#) [M22-D-R-GB0/K11](#) [M7E-HRN2](#)
[67021K512](#) [67081K512X](#) [701PB580](#) [7199K101](#) [810K12910](#) [810KSV30B](#) [MML21EA2ADK](#) [MML21KA3ABK](#) [MML23KA3AC05K-001](#)
[MML23KW3AA01W](#) [8418K2](#) [8442K3](#) [8450K1](#) [860K11911T01A](#) [861901](#) [861K11911T01A07](#) [861K13810T00A14](#) [861K13911](#)
[8646AB6X718UL](#) [8646ABUL](#) [9001KXRK](#) [907AYY100](#) [PMHD155A1](#) [9533CD4+U574+U4922](#) [95-414.000](#) [99-450.837](#) [99-453.837](#)
[PV3H2B0NN-341](#) [1203MRA](#) [A22NZBGANGA](#) [A22NZBNANGA](#) [A22NZMPATRA](#) [A2PMA1X03EC56](#) [A3A-5123-02](#) [A3A-7140](#) [A3A-7310](#) [A3A-7340](#) [A3U-TMW-A2C-5M](#) [A595](#) [12037A2ULCSA](#) [ABD122N-B](#) [1211390004](#)