
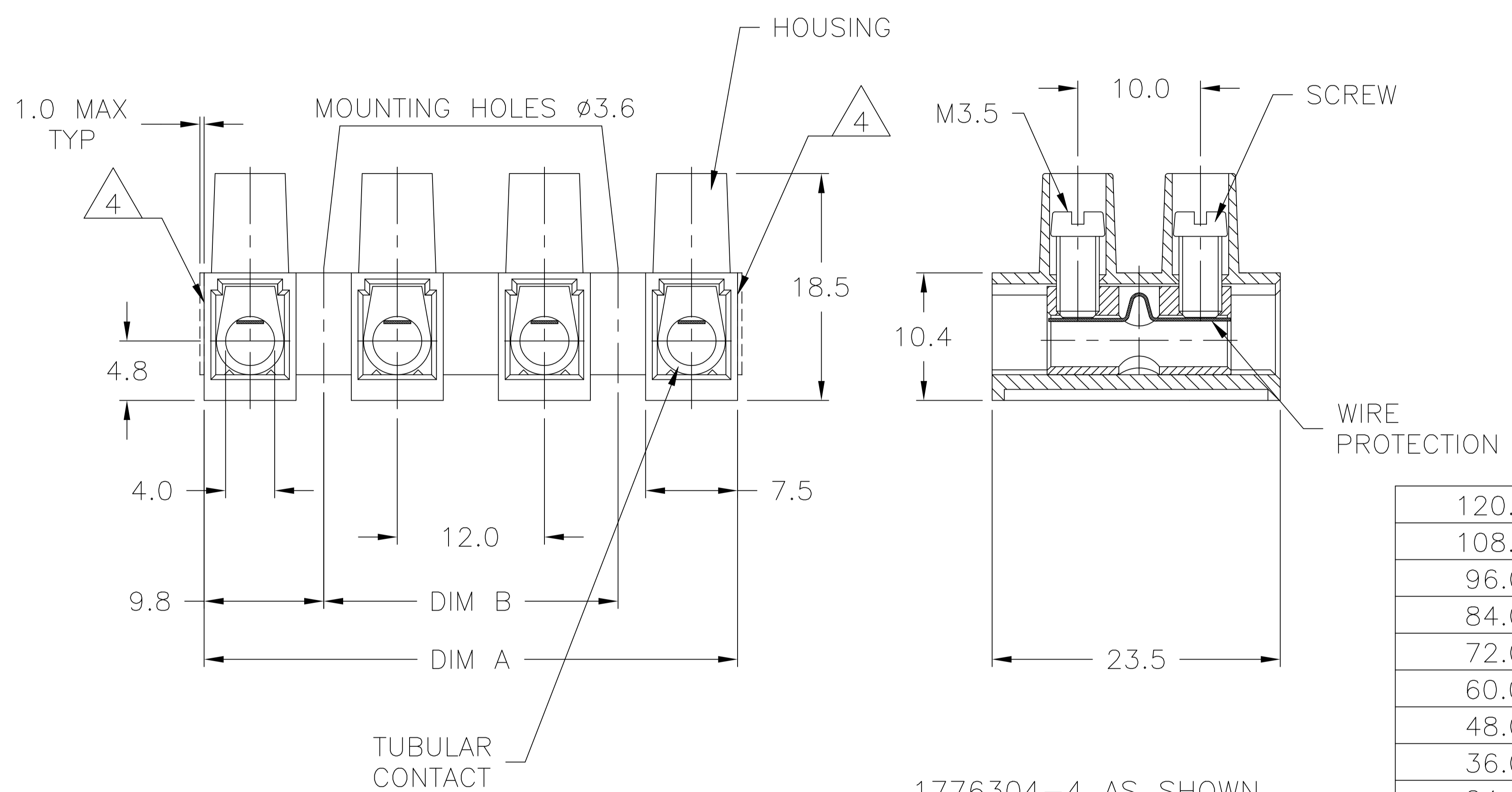



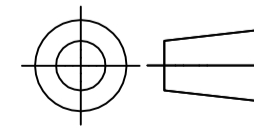
REVISIONS					
P	LTR	DESCRIPTION	DATE	DWN	APVD
A2		CUTTING BURR DETAILS ADDED	19NOV2018	RK	PS

- MATERIAL:  
 HOUSING: POLYAMIDE 6/6, UL94V-0.  
 COLOR: BROWN.  
 TUBULAR CONTACT: TIN PLATED, BRASS.  
 SCREW: M3.5 STEEL, ZINC PLATED W/ NON-HEXAVALENT CHROMATE (CHROME III).  
 WIRE PROTECTOR: STAINLESS STEEL.
- CURRENT RATING: 40A.  
 OPERATING VOLTAGE: 250V.  
 WIRE RANGE: 10-24 AWG.
- CONTINUOUS WORKING TEMP.: -50°C TO +160°C.
-  CUTTING PROJECTION CAN BE ON BOTH SIDES DEPENDING ON CUTTING LOCATION.
- CUTTING BURR MAX. 1mm ALLOWED.



1776304-4 AS SHOWN

	120.0	139.5	12	TSB100012DSHT	1-1776304-2
	108.0	127.5	11	TSB100011DSHT	1-1776304-1
	96.0	115.5	10	TSB100010DSHT	1-1776304-0
	84.0	103.5	9	TSB100009DSHT	1776304-9
	72.0	91.5	8	TSB100008DSHT	1776304-8
	60.0	79.5	7	TSB100007DSHT	1776304-7
	48.0	67.5	6	TSB100006DSHT	1776304-6
	36.0	55.5	5	TSB100005DSHT	1776304-5
	24.0	43.5	4	TSB100004DSHT	1776304-4
	12.0	31.5	3	TSB100003DSHT	1776304-3
OBSOLETE	-	19.5	2	TSB100002DSHT	1776304-2
	-	7.5	1	TSB100001DSHT	1776304-1
	DIM B	DIM A	NO. OF POS.	CATALOG NUMBER	TE PART NUMBER

THIS DRAWING IS A CONTROLLED DOCUMENT.		DWN S SCHLEGEL 3/21/05	 TE Connectivity Ltd.		
DIMENSIONS: mm		CHK C RICHARD 3/21/05			
TOLERANCES UNLESS OTHERWISE SPECIFIED:		APVD C RICHARD 3/21/05	NAME 12mm PITCH, EUROPA TERMINAL BLOCK HIGH TEMP.		
		PRODUCT SPEC	RESTRICTED TO		
MATERIAL SEE NOTES		FINISH SEE NOTES	APPLICATION SPEC	SIZE A3	CAGE CODE 00779
		WEIGHT -	DRAWING NO C=1776304	SCALE NTS	
CUSTOMER DRAWING			SHEET 1 of 1	REV A2	

## X-ON Electronics

Largest Supplier of Electrical and Electronic Components

*Click to view similar products for [Barrier Terminal Blocks](#) category:*

*Click to view products by [TE Connectivity](#) manufacturer:*

Other Similar products are found below :

[CR151D20104](#) [670A-RZ-15-KT20](#) [6C1N03](#) [6PCR-02](#) [6PCR-02-008](#) [6PCR-05-008](#) [6PCR-08-008](#) [6PCR-09-008](#) [6PCR-13-006](#) [6PCR-15-006](#) [6PCR-21-006](#) [6PCV-06-008](#) [6PCV-06-716](#) [6PCV-09-001](#) [6PCV-10-009](#) [6PCV-15-008](#) [6PCV-17-1206](#) [6PCV-20-323](#) [6PCV-20-720](#) [6PCV-30-006](#) [6STR-06-006](#) [6STR-08-006](#) [6STR-12-008](#) [6STR-13-006](#) [6STR-14-008](#) [6STR-16-008](#) [6STR-17-008](#) [6STR-21-008](#) [6STR-25-008](#) [6STR-27-008](#) [6STV-03-006](#) [6STV-03-008](#) [6STV-04-006](#) [6STV-09-006](#) [6STV-10-006](#) [6WWR-03-693](#) [6WWV-12-008](#) [72212603](#) [72504-C-50](#) [72506-C](#) [72507-C-50](#) [73203](#) [75505-C](#) [75505-C-50](#) [75510-C](#) [77010-50](#) [7C1N08](#) [812-GP-3/4ST-09](#) [8-1437402-5](#) [8-1437402-7](#)