
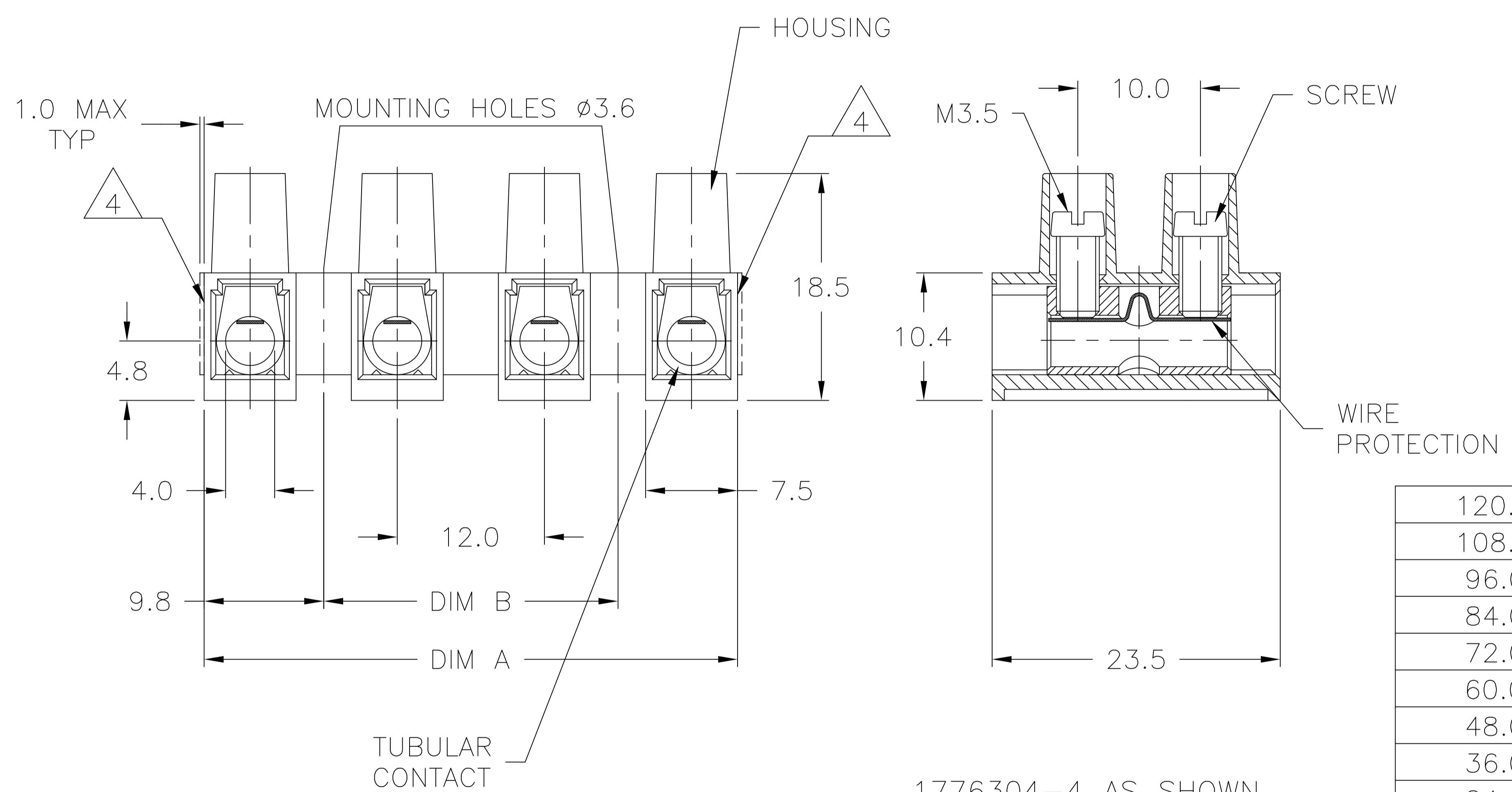



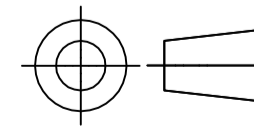
REVISIONS					
P	LTR	DESCRIPTION	DATE	DWN	APVD
	A2	CUTTING BURR DETAILS ADDED	19NOV2018	RK	PS

- MATERIAL:
 HOUSING: POLYAMIDE 6/6, UL94V-0.
 COLOR: BROWN.
 TUBULAR CONTACT: TIN PLATED, BRASS.
 SCREW: M3.5 STEEL, ZINC PLATED W/ NON-HEXAVALENT CHROMATE (CHROME III).
 WIRE PROTECTOR: STAINLESS STEEL.
- CURRENT RATING: 40A.
 OPERATING VOLTAGE: 250V.
 WIRE RANGE: 10-24 AWG.
- CONTINUOUS WORKING TEMP.: -50°C TO +160°C.
-  CUTTING PROJECTION CAN BE ON BOTH SIDES DEPENDING ON CUTTING LOCATION.
- CUTTING BURR MAX. 1mm ALLOWED.



1776304-4 AS SHOWN

	120.0	139.5	12	TSB100012DSHT	1-1776304-2
	108.0	127.5	11	TSB100011DSHT	1-1776304-1
	96.0	115.5	10	TSB100010DSHT	1-1776304-0
	84.0	103.5	9	TSB100009DSHT	1776304-9
	72.0	91.5	8	TSB100008DSHT	1776304-8
	60.0	79.5	7	TSB100007DSHT	1776304-7
	48.0	67.5	6	TSB100006DSHT	1776304-6
	36.0	55.5	5	TSB100005DSHT	1776304-5
	24.0	43.5	4	TSB100004DSHT	1776304-4
	12.0	31.5	3	TSB100003DSHT	1776304-3
OBSOLETE	-	19.5	2	TSB100002DSHT	1776304-2
	-	7.5	1	TSB100001DSHT	1776304-1
	DIM B	DIM A	NO. OF POS.	CATALOG NUMBER	TE PART NUMBER

THIS DRAWING IS A CONTROLLED DOCUMENT.		DWN S SCHLEGEL 3/21/05	 TE Connectivity Ltd.		
DIMENSIONS: mm		CHK C RICHARD 3/21/05			
TOLERANCES UNLESS OTHERWISE SPECIFIED:		APVD C RICHARD 3/21/05	NAME 12mm PITCH, EUROPA TERMINAL BLOCK HIGH TEMP.		
		PRODUCT SPEC	-		
MATERIAL SEE NOTES		FINISH SEE NOTES	APPLICATION SPEC	-	
		WEIGHT -	SIZE A3	CAGE CODE 00779	DRAWING NO C=1776304
CUSTOMER DRAWING			RESTRICTED TO -	SCALE NTS	SHEET 1 OF 1
			REV A2		

X-ON Electronics

Largest Supplier of Electrical and Electronic Components

Click to view similar products for [Barrier Terminal Blocks](#) category:

Click to view products by [TE Connectivity](#) manufacturer:

Other Similar products are found below :

[CTA-0103](#) [6PCR-02-008](#) [6PCR-05-008](#) [6PCR-08-008](#) [6PCR-21-006](#) [6PCV-06-008](#) [6PCV-10-009](#) [6PCV-15-008](#) [6STR-06-006](#) [6STR-08-006](#) [6STR-12-008](#) [6STR-14-008](#) [6STR-16-008](#) [6STR-17-008](#) [6STR-21-008](#) [6STR-25-008](#) [6STR-27-008](#) [6STV-03-006](#) [6STV-03-008](#) [6STV-04-006](#) [6STV-10-006](#) [6WWR-03](#) [6WWV-11-008](#) [6WWV-12-008](#) [6WWV-16-008](#) [7-1546701-0](#) [72212603](#) [72503-C](#) [73203](#) [76007](#) [7606-602LF](#) [77010-50](#) [796985-3](#) [796988-4](#) [7C1N08](#) [8-1437402-5](#) [8-1437402-7](#) [8-1546158-0](#) [870505](#) [870903](#) [8PCR-06-006](#) [8PCV-02-008](#) [8PCV-04-008](#) [8PCV-05-008](#) [8PCV-09-006](#) [8PCV-15-006](#) [8PCV-16-006](#) [8PCV-17-006](#) [8QCR-03-008](#) [8STV-04-006](#)