

THIS DRAWING IS UNPUBLISHED.

RELEASED FOR PUBLICATION

© COPYRIGHT - TE Connectivity Ltd.

ALL RIGHTS RESERVED.

REVISIONS

P	LTR	DESCRIPTION	DATE	DWN	APVD
P		CUTTING BURR DETAILS ADDED	20NOV2018	RK	PS

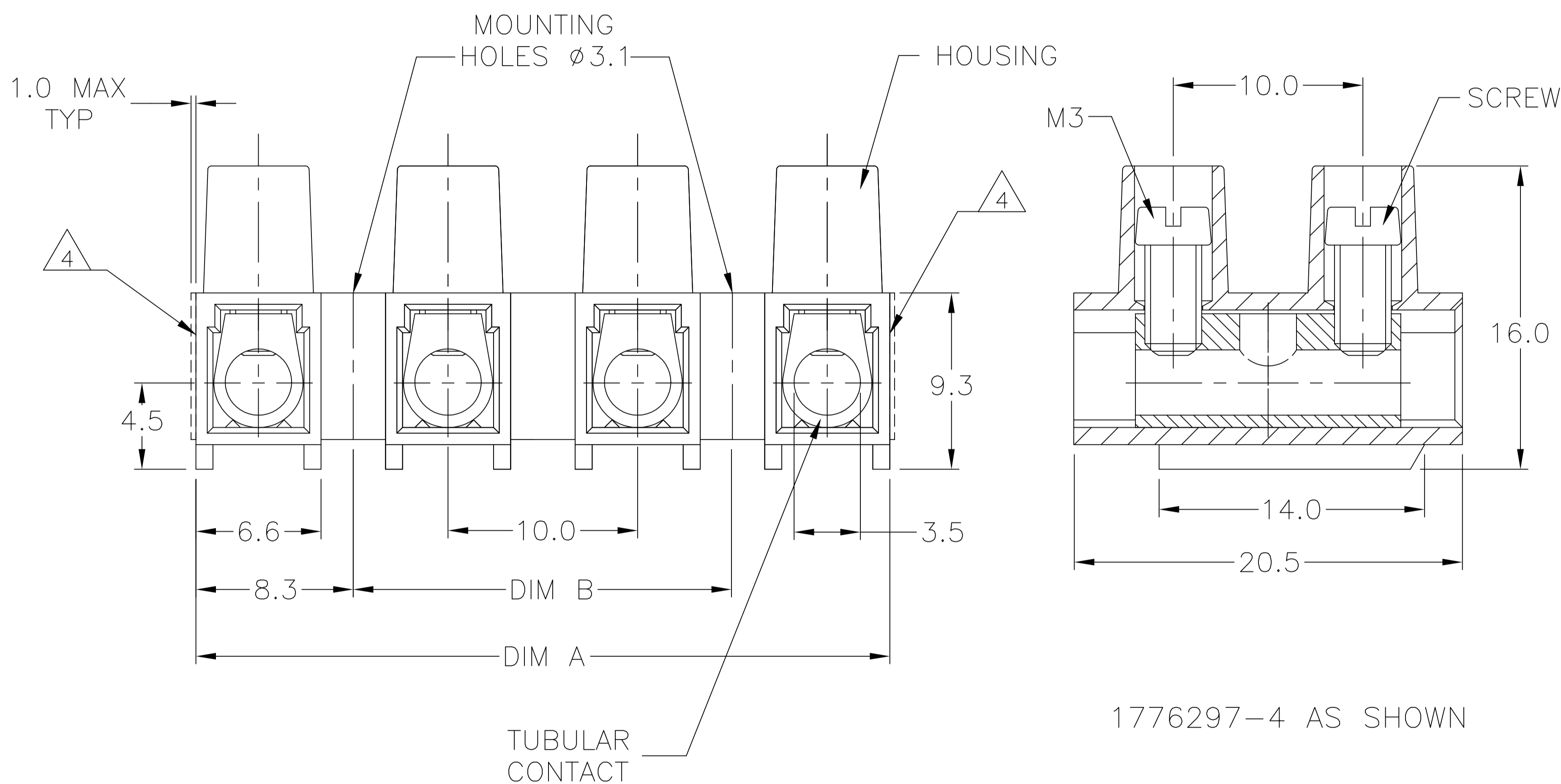
- MATERIAL:
HOUSING: POLYAMIDE 6, UL94V-2.
COLOR: NATURAL (OFF WHITE)
CONTACT: BRASS, TIN PLATED.
SCREW: M3, STEEL, ZINC PLATED W/ NON-HEXAVALENT CHROMATE (CHROME III).

- ELECTRICAL:
CURRENT RATING: 30A.
OPERATING VOLTAGE: 250V.
WIRE RANGE: 10-22 AWG.
DIELECTRIC WITHSTAND: 3500V.

- ENVIRONMENT:
CONTINUOUS WORKING TEMP.: -35°C TO +100°C

4 CUTTING PROJECTION CAN BE ON BOTH SIDES DEPENDING ON CUTTING LOCATION

- CUTTING BURR MAX. 1mm ALLOWED.



100.0	116.6	12	TSB500 1231	1-1776297-2
90.0	106.6	11	TSB500 1131	1-1776297-1
80.0	96.6	10	TSB500 1031	1-1776297-0
70.0	86.6	9	TSB500 0931	1776297-9
60.0	76.6	8	TSB500 0831	1776297-8
50.0	66.6	7	TSB500 0731	1776297-7
40.0	56.6	6	TSB500 0631	1776297-6
30.0	46.6	5	TSB500 0531	1776297-5
20.0	36.6	4	TSB500 0431	1776297-4
10.0	26.6	3	TSB500 0331	1776297-3
-	16.6	2	TSB500 0231	1776297-2
-	6.6	1	TSB500 0131	1776297-1
DIM B	DIM A	NO. OF POS.	CATALOG NUMBER	TE PART NUMBER

THIS DRAWING IS A CONTROLLED DOCUMENT.		DWN S SCHLEGEL 3/18/05	TE Connectivity Ltd.											
DIMENSIONS: mm		CHK C RICHARD 3/18/05												
TOLERANCES UNLESS OTHERWISE SPECIFIED:		APVD C RICHARD 3/18/05	NAME EUROPA TERMINAL BLOCK, 10.0mm PITCH, MOUNTING HOLES 3.1 DIA											
<table border="0"> <tr><td>0 PLC</td><td>± -</td></tr> <tr><td>1 PLC</td><td>± 0.3</td></tr> <tr><td>2 PLC</td><td>± 0.25</td></tr> <tr><td>3 PLC</td><td>± -</td></tr> <tr><td>4 PLC</td><td>± -</td></tr> <tr><td>ANGLES</td><td>± 2'</td></tr> </table>		0 PLC			± -	1 PLC	± 0.3	2 PLC	± 0.25	3 PLC	± -	4 PLC	± -	ANGLES
0 PLC	± -													
1 PLC	± 0.3													
2 PLC	± 0.25													
3 PLC	± -													
4 PLC	± -													
ANGLES	± 2'													
MATERIAL SEE NOTES		FINISH SEE NOTES	APPLICATION SPEC - WEIGHT -											
		SIZE A3		CAGE CODE 00779										
		DRAWING NO C=1776297		RESTRICTED TO -										
		CUSTOMER DRAWING		SCALE NTS										
		SHEET 1 OF 1		REV P										

X-ON Electronics

Largest Supplier of Electrical and Electronic Components

Click to view similar products for [Barrier Terminal Blocks](#) category:

Click to view products by [TE Connectivity](#) manufacturer:

Other Similar products are found below :

[CR151D20104](#) [670A-RZ-15-KT20](#) [6C1N03](#) [6PCR-02](#) [6PCR-02-008](#) [6PCR-05-008](#) [6PCR-08-008](#) [6PCR-09-008](#) [6PCR-13-006](#) [6PCR-15-006](#) [6PCR-21-006](#) [6PCV-06-008](#) [6PCV-06-716](#) [6PCV-09-001](#) [6PCV-10-009](#) [6PCV-15-008](#) [6PCV-17-1206](#) [6PCV-20-323](#) [6PCV-20-720](#) [6PCV-30-006](#) [6STR-06-006](#) [6STR-08-006](#) [6STR-12-008](#) [6STR-13-006](#) [6STR-14-008](#) [6STR-16-008](#) [6STR-17-008](#) [6STR-21-008](#) [6STR-25-008](#) [6STR-27-008](#) [6STV-03-006](#) [6STV-03-008](#) [6STV-04-006](#) [6STV-09-006](#) [6STV-10-006](#) [6WWR-03-693](#) [6WWV-12-008](#) [72212603](#) [72504-C-50](#) [72506-C](#) [72507-C-50](#) [73203](#) [75505-C](#) [75505-C-50](#) [75510-C](#) [77010-50](#) [7C1N08](#) [812-GP-3/4ST-09](#) [8-1437402-5](#) [8PCR-06-006](#)