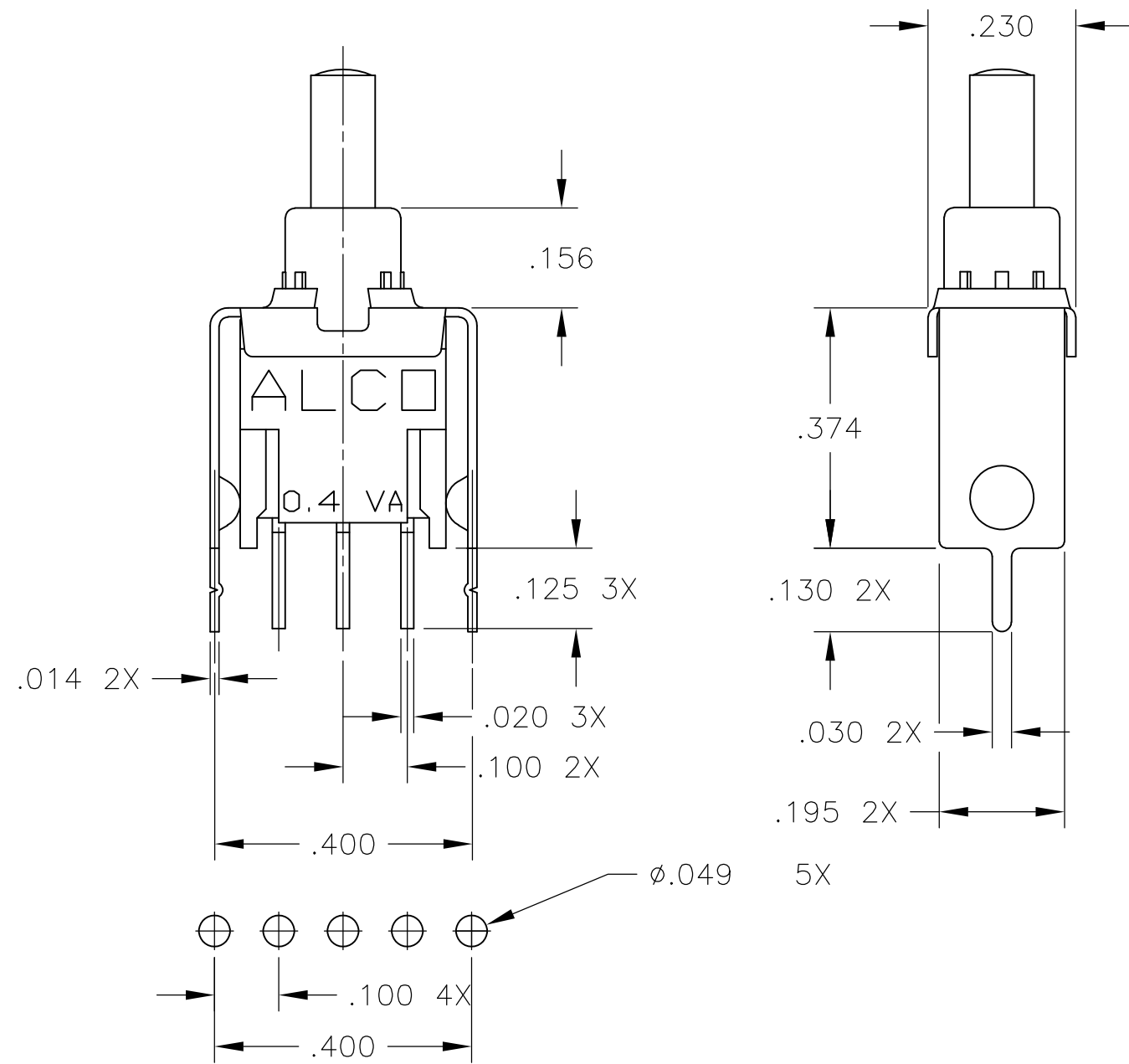




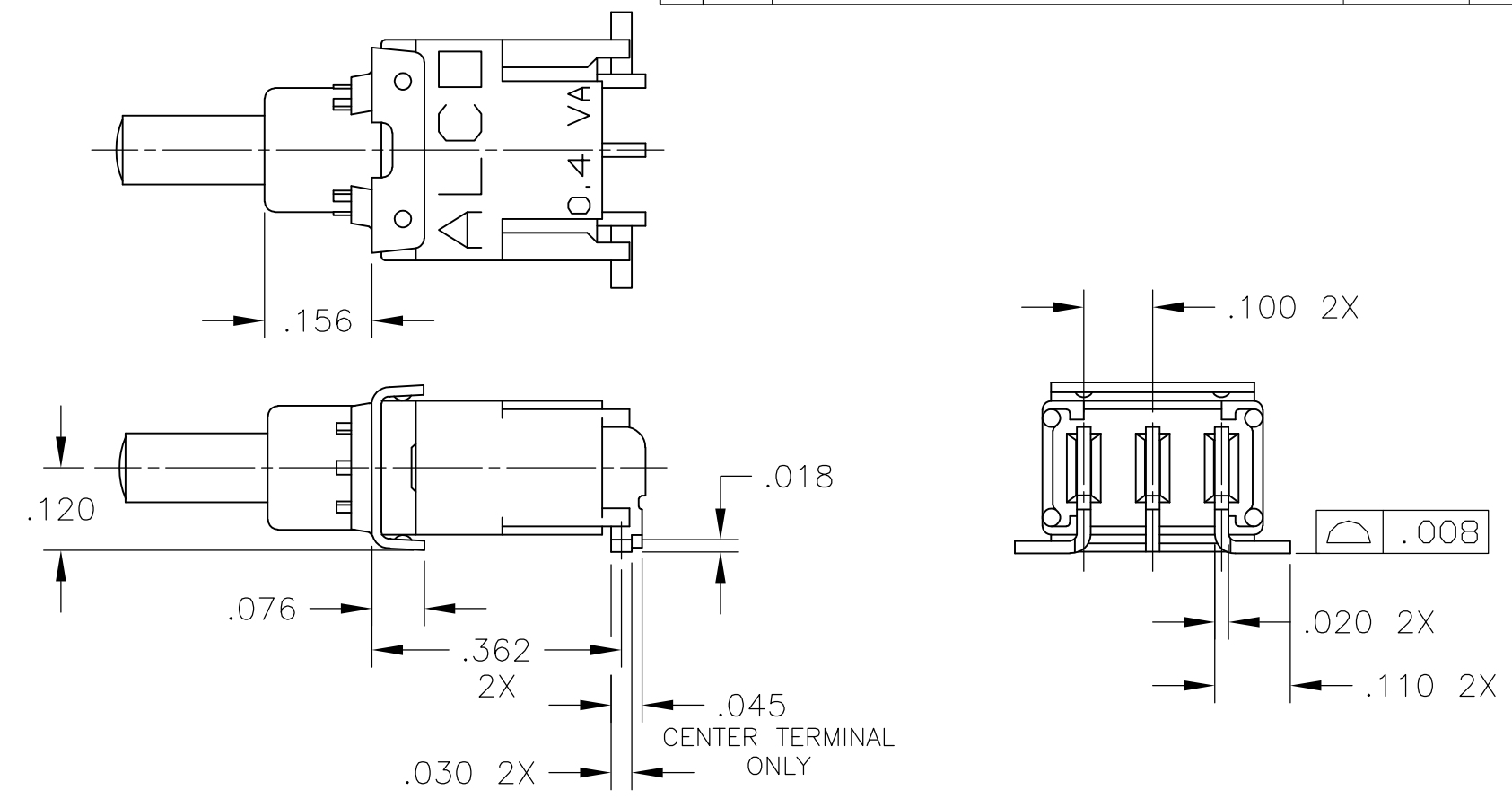
THIS DRAWING IS UNPUBLISHED. RELEASED FOR PUBLICATION  
 © COPYRIGHT - By - ALL RIGHTS RESERVED.

LOC		DIST		REVISIONS			
P	LTR	DESCRIPTION	DATE	DWN	APVD		
AD	00	SEE SHEET 1	-	-	-		



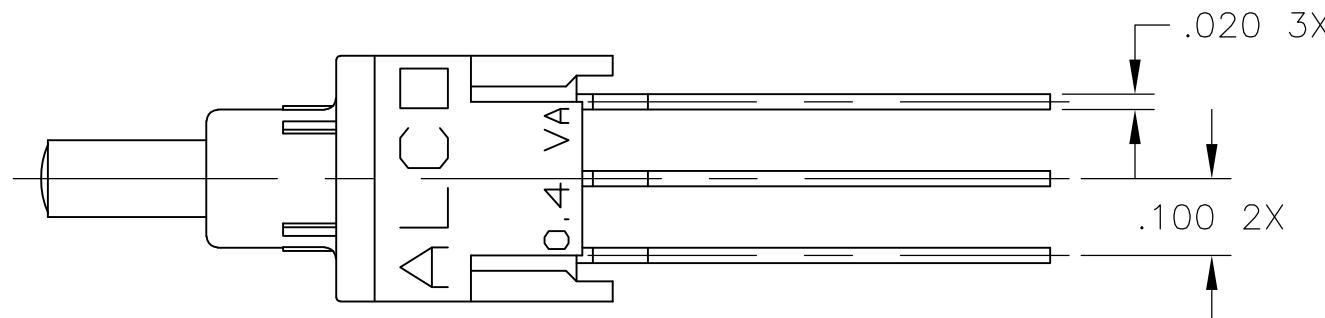
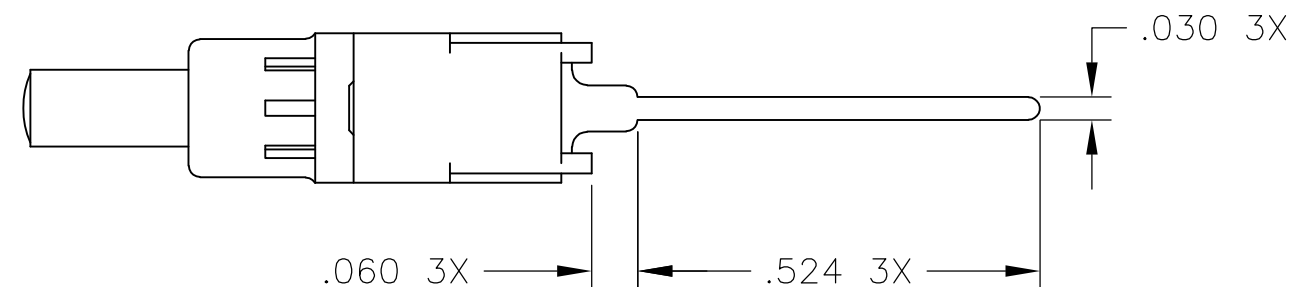
RECOMMENDED HOLE LAYOUT  
 TOLERANCES ±.002 UNLESS  
 OTHERWISE NOTED.

**PCV** PC WITH VERTICAL  
 SUPPORT BRACKET



RECOMMENDED HOLE LAYOUT  
 TOLERANCES ±.002 UNLESS  
 OTHERWISE NOTED.

**SRA** SURFACE MOUNT RIGHT ANGLE,  
 "L" BEND



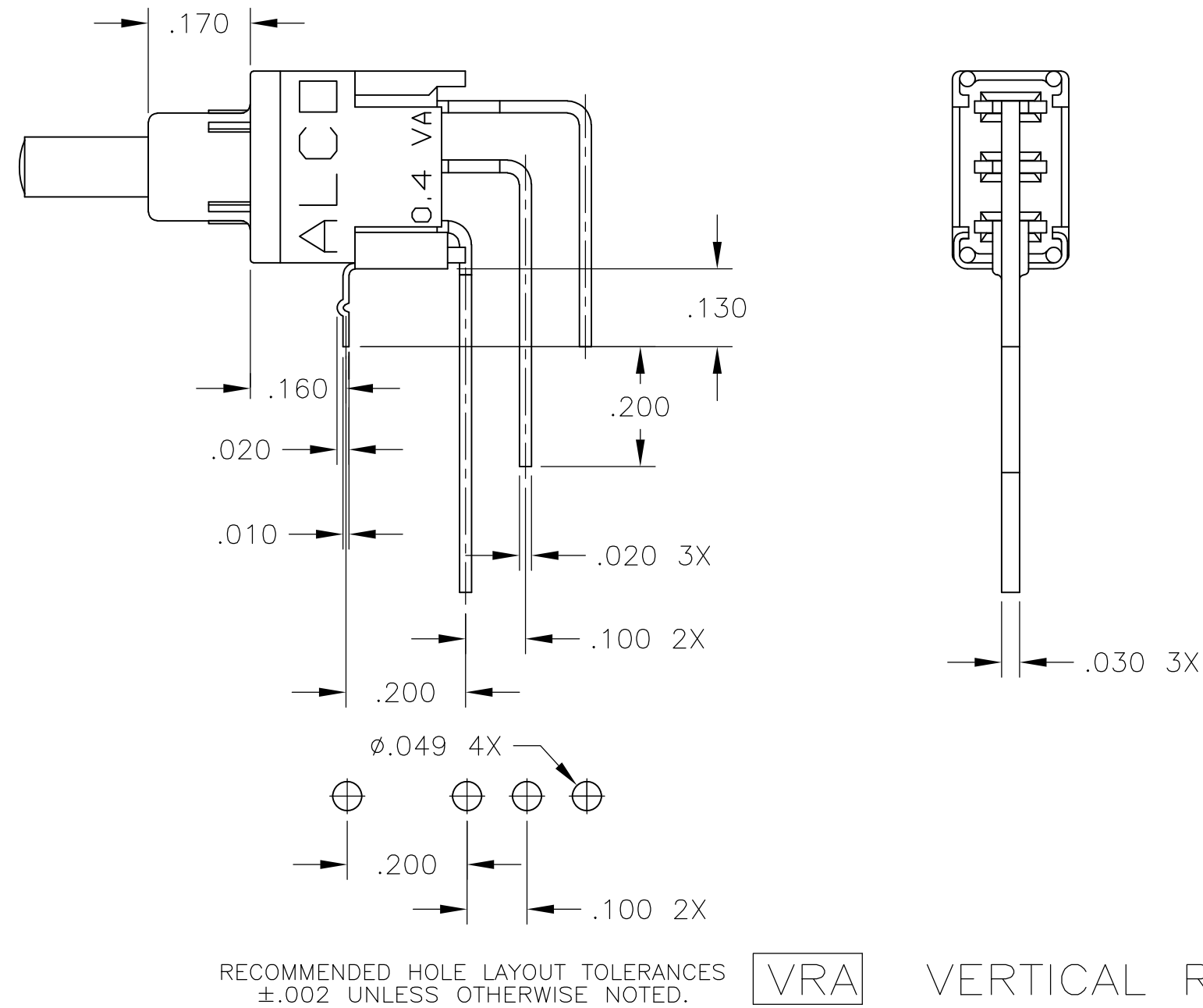
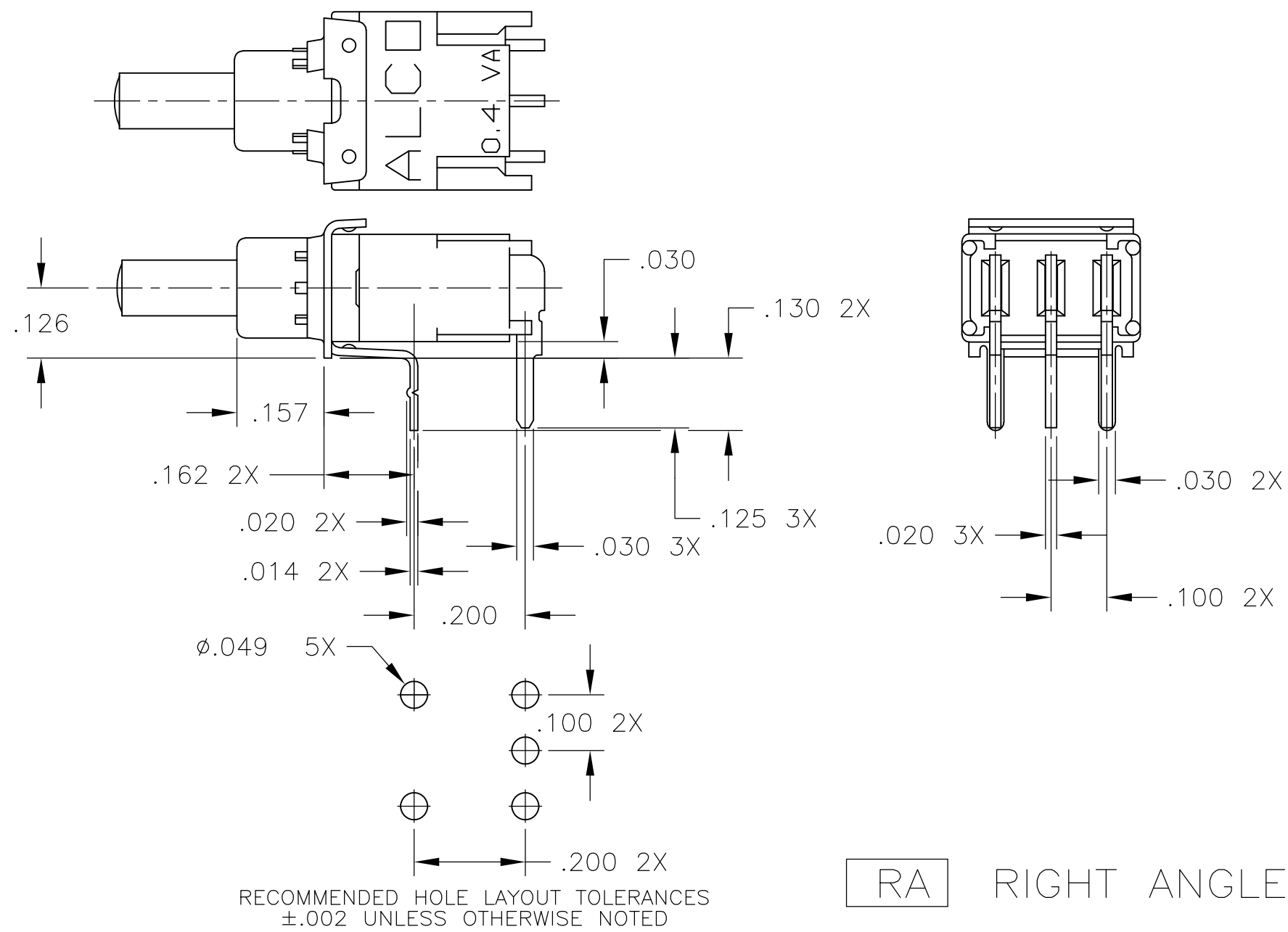
RECOMMENDED HOLE LAYOUT  
 TOLERANCES ±.002 UNLESS  
 OTHERWISE NOTED.

**WW** WIRE WRAP

THIS DRAWING IS A CONTROLLED DOCUMENT.		DWN M.BINNER 01MAR05																				
DIMENSIONS: INCHES		CHK M.ZITTO 01MAR05																				
TOLERANCES UNLESS OTHERWISE SPECIFIED:		APVD M.ZITTO 01MAR05	NAME																			
<table border="1"> <tr><td>0 PLC</td><td>±</td><td>-</td></tr> <tr><td>1 PLC</td><td>±</td><td>-</td></tr> <tr><td>2 PLC</td><td>±</td><td>-</td></tr> <tr><td>3 PLC</td><td>±</td><td>.010</td></tr> <tr><td>4 PLC</td><td>±</td><td>-</td></tr> <tr><td>ANGLES</td><td>±</td><td>1°</td></tr> </table>		0 PLC	±	-	1 PLC	±	-	2 PLC	±	-	3 PLC	±	.010	4 PLC	±	-	ANGLES	±	1°	PRODUCT SPEC	SEALED PUSHBUTTON SWITCH SINGLE POLE, TSP SERIES, ROHS COMPLIANT	
0 PLC	±	-																				
1 PLC	±	-																				
2 PLC	±	-																				
3 PLC	±	.010																				
4 PLC	±	-																				
ANGLES	±	1°																				
MATERIAL		APPLICATION SPEC	SIZE	RESTRICTED TO																		
FINISH		WEIGHT	A2 00779	-																		
		CUSTOMER DRAWING	SCALE 4:1	SHEET 2 OF 4																		
			DRAWING NO. 1571990	REV A2																		

THIS DRAWING IS UNPUBLISHED. RELEASED FOR PUBLICATION  
 © COPYRIGHT - By - ALL RIGHTS RESERVED.

LOC		DIST		REVISIONS			
P	LTR	DESCRIPTION	DATE	DWN	APVD		
AD	00						
SEE SHEET 1							



THIS DRAWING IS A CONTROLLED DOCUMENT.		DWN	01MAR05		TE Connectivity			
DIMENSIONS: INCHES		CHK	01MAR05		NAME			
TOLERANCES UNLESS OTHERWISE SPECIFIED:		APVD	01MAR05		SEALD PUSHBUTTON SWITCH SINGLE POLE, TSP SERIES, ROHS COMPLIANT			
0 PLC ± - 1 PLC ± - 2 PLC ± - 3 PLC ± .010 4 PLC ± - ANGLES ± 1°		PRODUCT SPEC			SIZE			
MATERIAL		WEIGHT		CAGE CODE		DRAWING NO		RESTRICTED TO
FINISH		CUSTOMER DRAWING		A2 00779		C=1571990		
		SCALE		SHEET		REV		
		4:1		3 OF 4		A2		


THIS DRAWING IS UNPUBLISHED.      RELEASED FOR PUBLICATION  
 © COPYRIGHT - By -      ALL RIGHTS RESERVED.

LOC	DIST	REVISIONS					
		P	LTR	DESCRIPTION	DATE	DWN	APVD
AD	00	-	-	SEE SHEET 1	-	-	-

PRELIMINARY	TSPDF11FGVRA004	3-1571990-1
OBSOLETE	TSPDF11FGSRA004	<del>3-1571990-0</del>
	TSPDF11FGRA004	2-1571990-9
	TSPDF11FGPC004	2-1571990-8
	TSPDF11CGVRA004	2-1571990-7
OBSOLETE	TSPDF11CGSRA004	<del>2-1571990-6</del>
	TSPDF11CGRA004	2-1571990-5
OBSOLETE	TSPDF11CGSRAB0TR04	<del>2-1571990-4</del>
PRELIMINARY	TSPDF11CGSRA0TR04	2-1571990-3
	TSPDF11CGPC004	2-1571990-2
	TSPD11FGVRA004	2-1571990-1
OBSOLETE	TSPD11FGSRAB004	<del>2-1571990-0</del>
	TSPD11FGSRA004	1-1571990-9
	TSPD11FGSPC004	1-1571990-8
	TSPD11FGRA004	1-1571990-7
	TSPD11FGPCV004	1-1571990-6
	TSPD11FGPC004	1-1571990-5
	TSPD11CGWW004	1-1571990-4
	TSPD11CGVRA004	1-1571990-3
	TSPD11CGSRAB004	1-1571990-2
	TSPD11CGSRA204	1-1571990-1
	TSPD11CGSRA0TR04	1-1571990-0
	available	1571990-6
	TSPD11CGRA204	1571990-5
	TSPD11CGRA004	1571990-4
OBSOLETE	TSPD11CGPCV004	<del>1571990-3</del>
	TSPD11CGPC204	1571990-2
	TSPD11CGPC004	1571990-1
	Alco P/N	P/N

SUPERSEDED BY 1-1437573-9

1571990

THIS DRAWING IS A CONTROLLED DOCUMENT.		DWN M.BINNER 01MAR05	 TE Connectivity																			
DIMENSIONS: INCHES		CHK M.ZITTO 01MAR05																				
TOLERANCES UNLESS OTHERWISE SPECIFIED:		APVD M.ZITTO 01MAR05	NAME SEALED PUSHBUTTON SWITCH SINGLE POLE, TSP SERIES, ROHS COMPLIANT																			
<table border="0"> <tr> <td>0 PLC</td> <td>±</td> <td>-</td> </tr> <tr> <td>1 PLC</td> <td>±</td> <td>-</td> </tr> <tr> <td>2 PLC</td> <td>±</td> <td>-</td> </tr> <tr> <td>3 PLC</td> <td>±</td> <td>.010</td> </tr> <tr> <td>4 PLC</td> <td>±</td> <td>-</td> </tr> <tr> <td>ANGLES</td> <td>±</td> <td>1°</td> </tr> </table>		0 PLC	±	-	1 PLC	±	-	2 PLC	±	-	3 PLC	±	.010	4 PLC	±	-	ANGLES	±	1°	PRODUCT SPEC -	SIZE A2	
0 PLC	±	-																				
1 PLC	±	-																				
2 PLC	±	-																				
3 PLC	±	.010																				
4 PLC	±	-																				
ANGLES	±	1°																				
MATERIAL -		APPLICATION SPEC -	CAGE CODE 00779	DRAWING NO 1571990																		
FINISH -		WEIGHT -	RESTRICTED TO -	SCALE 1:1																		
CUSTOMER DRAWING			SHEET 4 of 4	REV A2																		

## X-ON Electronics

Largest Supplier of Electrical and Electronic Components

*Click to view similar products for [Pushbutton Switches](#) category:*

*Click to view products by [TE Connectivity](#) manufacturer:*

Other Similar products are found below :

[8940K2012](#) [LW1L-M1C10V-A](#) [LW1L-M1C70-A](#) [LW2L-A1C20M-GD](#) [LW2L-M1C20M-A](#) [60324L](#) [M22-D-R-GB0/K11](#) [M7E-HRN2](#)  
[67021K512](#) [67081K512X](#) [701PB580](#) [7199K101](#) [810K12910](#) [810KSV30B](#) [MML21EA2ADK](#) [MML21KA3ABK](#) [MML23KA3AC05K-001](#)  
[MML23KW3AA01W](#) [8418K2](#) [8442K3](#) [8450K1](#) [860K11911T01A](#) [861901](#) [861K11911T01A07](#) [861K13810T00A14](#) [861K13911](#)  
[8646AB6X718UL](#) [8646ABUL](#) [9001KXRK](#) [907AYY100](#) [PMHD155A1](#) [9533CD4+U574+U4922](#) [95-414.000](#) [99-450.837](#) [99-453.837](#)  
[PV3H2B0NN-341](#) [1203MRA](#) [A22NZBGANGA](#) [A22NZBNANGA](#) [A22NZMPATRA](#) [A2PMA1X03EC56](#) [A3A-5123-02](#) [A3A-7140](#) [A3A-7310](#) [A3A-7340](#) [A3U-TMW-A2C-5M](#) [A595](#) [12037A2ULCSA](#) [ABD122N-B](#) [1211390004](#)