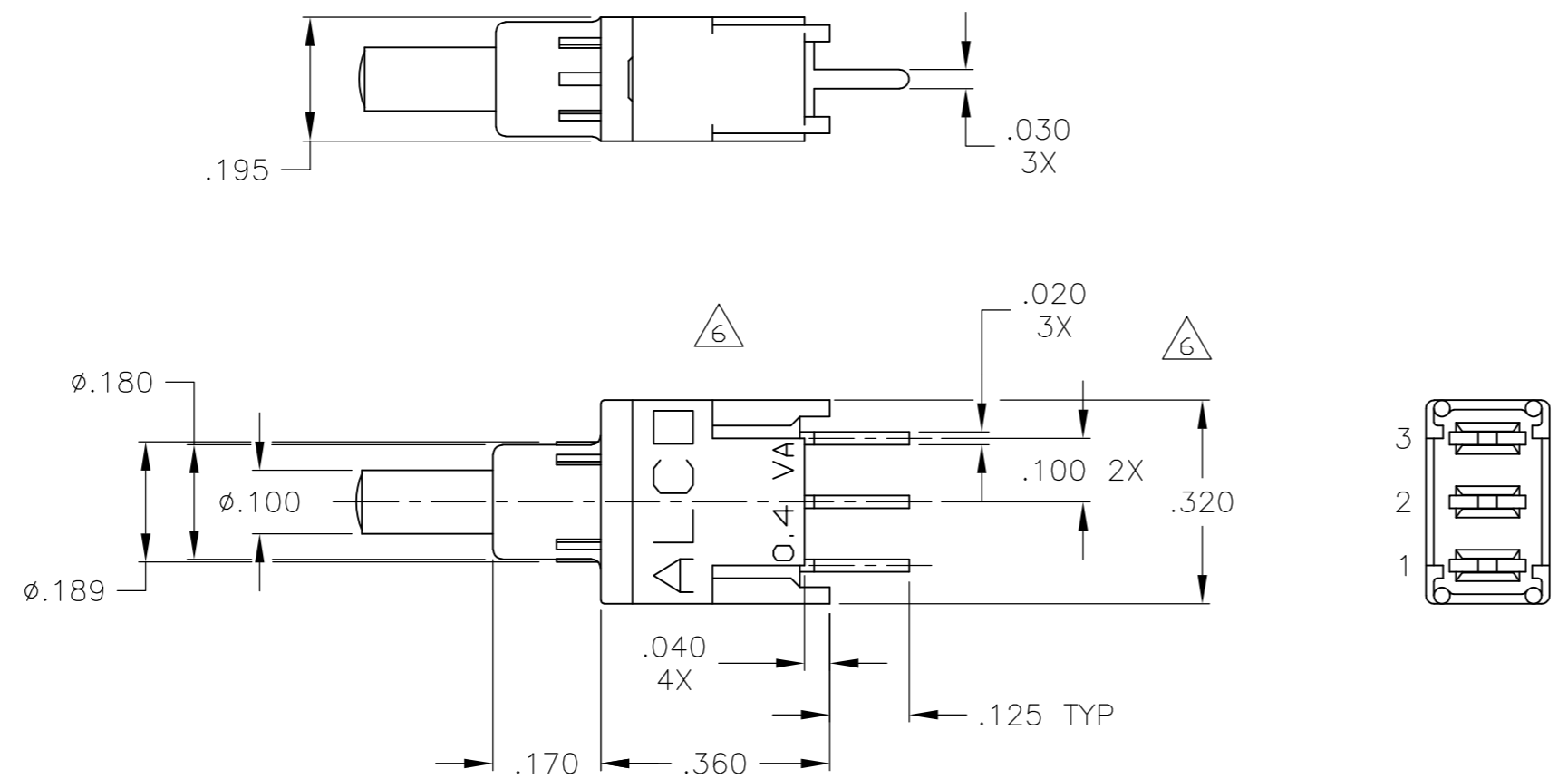


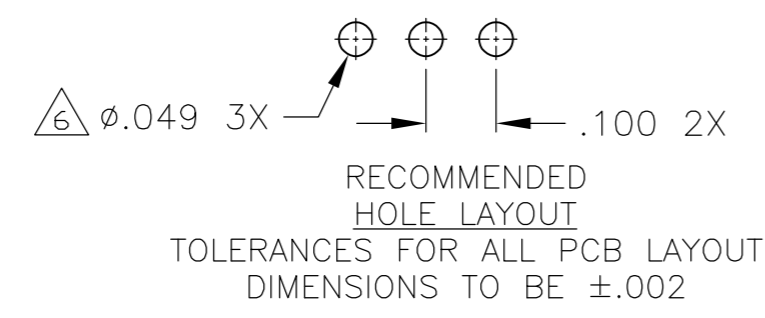
THIS DRAWING IS UNPUBLISHED. RELEASED FOR PUBLICATION
 © COPYRIGHT - By - ALL RIGHTS RESERVED.

LOC		DIST		REVISIONS			
P	LTR	DESCRIPTION		DATE	DWN	APVD	
	H	REVISED PER ECO-15-004048		17MAR2015	NK	RH	

CONVERSION CHART		CONVERSION CHART	
INCH	MM	INCH	MM
.002	0,05	.374	9,49
.005	0,12	.396	10,06
.008	0,20	.400	10,16
.010	0,25	.524	13,31
.014	0,36		
.018	0,44		
.020	0,52		
.028	0,71		
.030	0,76		
.035	0,89		
.040	1,02		
.043	1,09		
.045	1,14		
.060	1,52		
.065	1,65		
.076	1,94		
.082	2,08		
.090	2,29		
.094	2,39		
.100	2,54		
.110	2,80		
.120	3,05		
.125	3,18		
.126	3,19		
.130	3,30		
.155	3,94		
.156	3,96		
.160	4,06		
.162	4,11		
.170	4,32		
.180	4,57		
.189	4,80		
.195	4,95		
.200	5,08		
.230	5,84		
.240	6,10		
.300	7,62		
.320	8,13		
.360	9,14		
.362	9,19		
.370	9,40		



PC PC MOUNT



SPECIFICATIONS:

MATERIALS:

CASE: HIGH TEMPERATURE POLYESTER.
 ACTUATOR: POLYAMIDE.
 MOVING CONTACT: COPPER ALLOY, GOLD PLATE OVER NICKEL.
 FIXED CONTACT: COPPER ALLOY, GOLD PLATE OVER NICKEL.
 TERMINALS: COPPER ALLOY, TIN-LEAD PLATE.

ELECTRICAL:

CONTACT RATING: 0.4VA @ 20 VAC/DC
 INITIAL CONTACT RESISTANCE: 20 MILLIOHMS MAX.
 INSULATION RESISTANCE: 1000 MEGOHMS @ 500V DC MIN.
 DIELECTRIC STRENGTH: **C** 1000 VOLTS RMS AT SEA LEVEL.
F 500 VOLTS RMS AT SEA LEVEL.
 LIFE EXPECTANCY: **C** 80,000 CYCLES
F 60,000 CYCLES.

MECHANICAL:

ACTUATION TRAVEL: .035.

ENVIRONMENTAL:

OPERATING TEMPERATURE: -22°F TO +185°F
 (-30°C TO +85°C).
 STORAGE TEMPERATURE: -67°F TO +185°F
 (-55°C TO +85°C)

NOTES:

1. INTERPRET DRAWING PER ASME Y14.5M-1994.

PART NUMBERING SEQUENCE

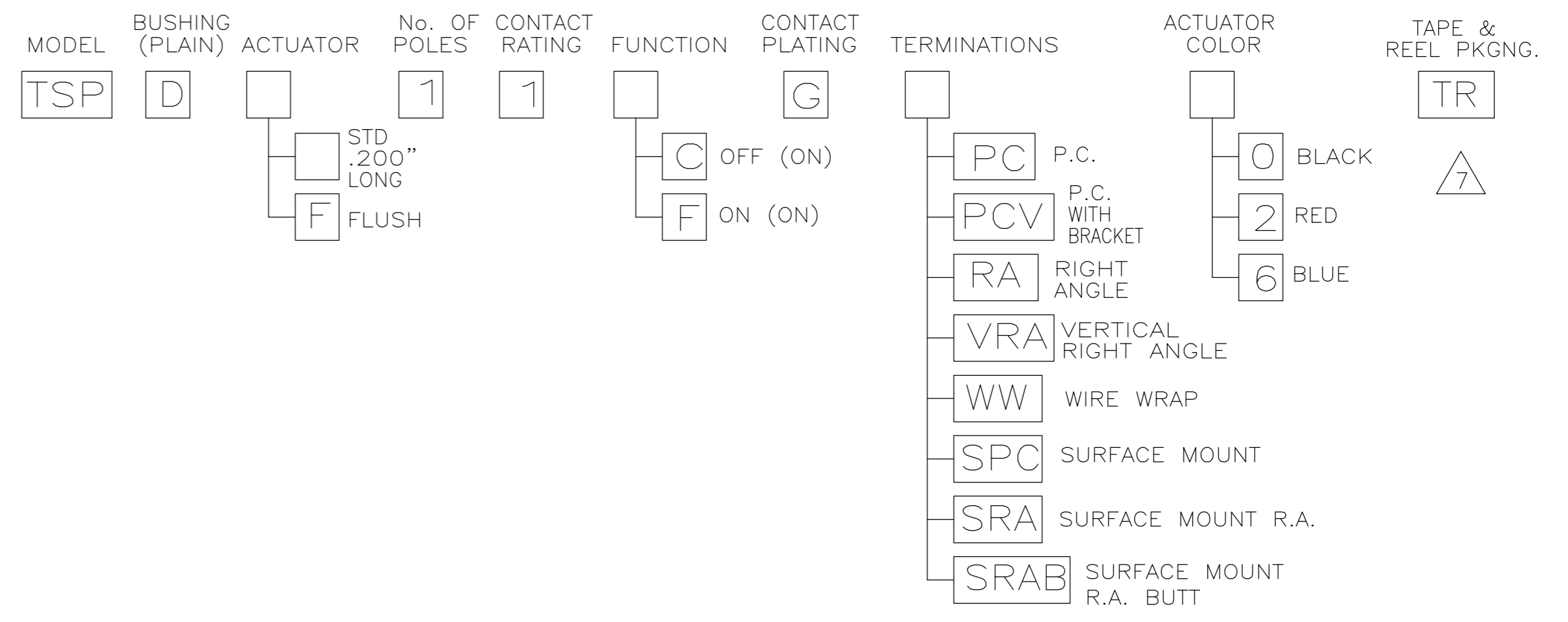


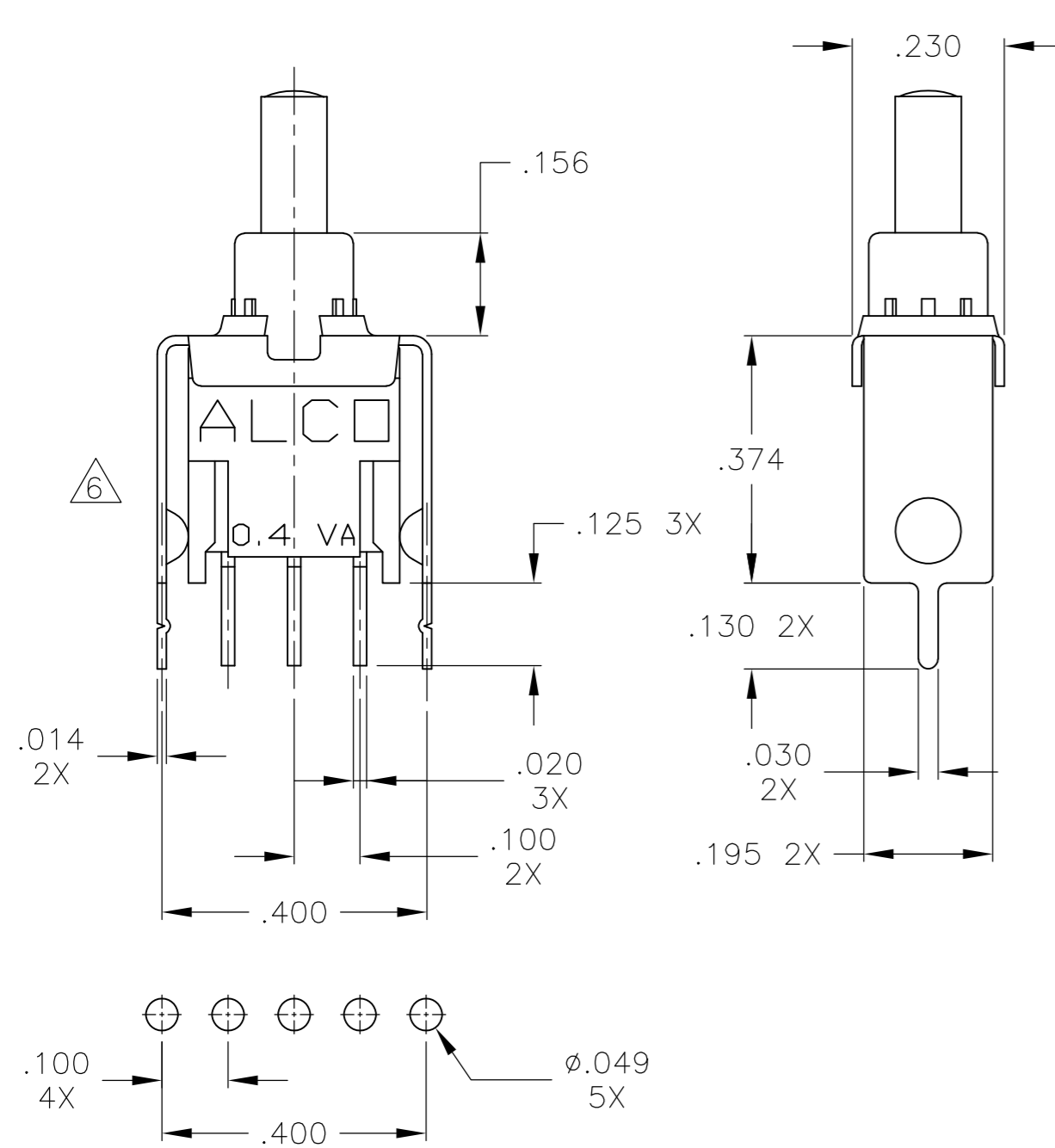
FIGURE 1

FUNCTION CHART	
THE FOLLOWING FUNCTIONS AVAILABLE IN SINGLE POLE.	
C 2 POSITIONS OFF (ON)	
OMIT CENTER TERMINAL FOR FUNCTION C	TERMINALS CONNECTED: 1-3
F 2 POSITIONS ON (ON)	
	TERMINALS CONNECTED: 1-2 2-3
OFF INDICATES A MECHANICAL POSITION WITH NO ELECTRICAL CONNECTION.	
(ON) INDICATES MOMENTARY ACTION	

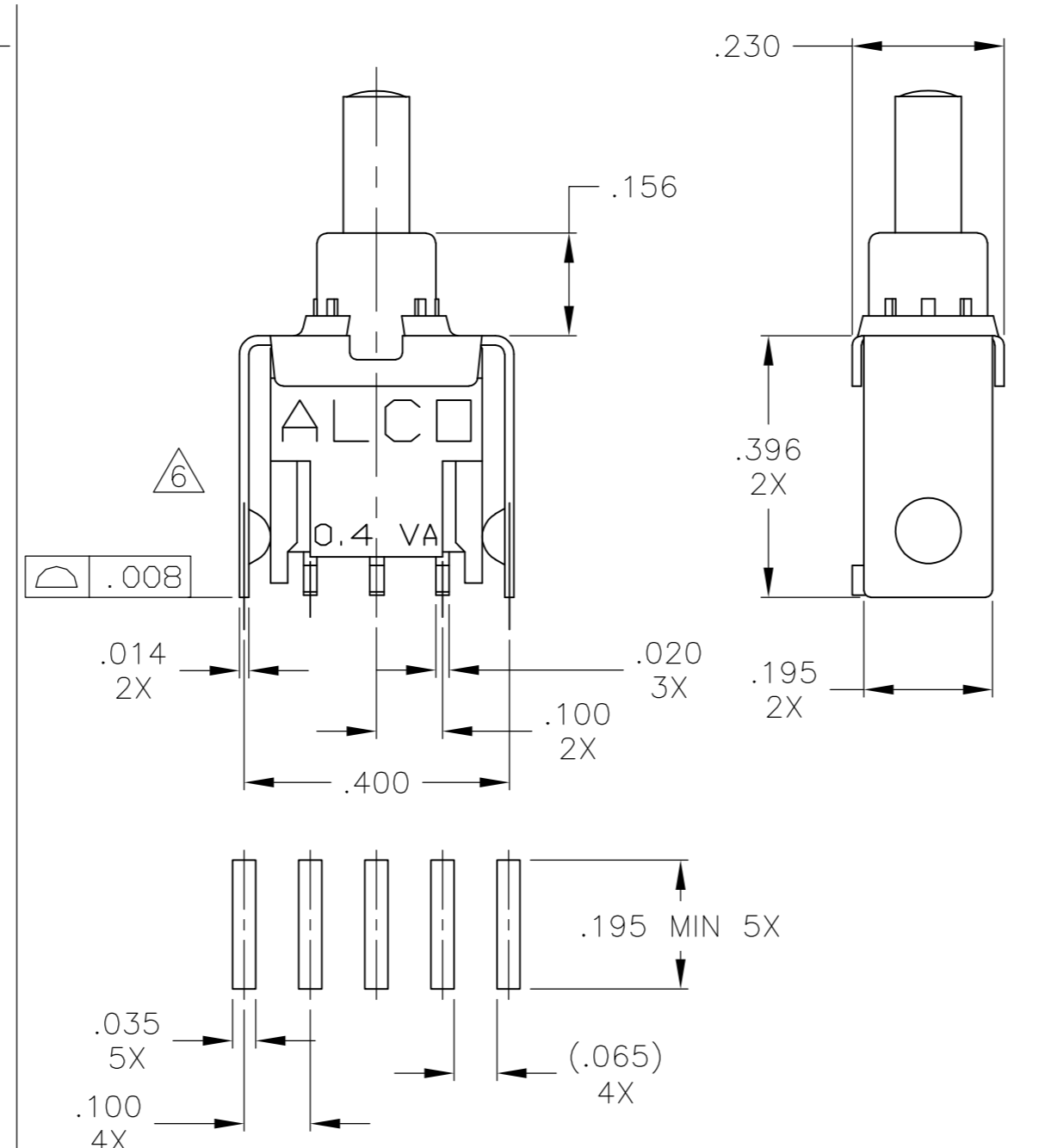
FILE NAME: 40287S1L	DIRECTORY: PSHSWTCH	CODE IDENT. NO. 91506	PRODUCT CODE: B53	THIS DRAWING IS A CONTROLLED DOCUMENT.	DWN C.M.M. 9-19-90 CHK B.J.A. 12-20-90 APVD B.J.A. 12-20-90 PRODUCT SPEC APPLICATION SPEC	WEIGHT -	CUSTOMER DRAWING	TE Connectivity	OUTLINE DRAWING SEALED PUSHBUTTON SWITCH SINGLE POLE TSP SERIES	RESTRICTED TO -
				DIMENSIONS: INCHES	TOLERANCES UNLESS OTHERWISE SPECIFIED: 0 PLC ± - 1 PLC ± - 2 PLC ± - 3 PLC ± .010 4 PLC ± - ANGLES ± 1°	SCALE 4:1	SHEET 1 of 4	REV H		

THIS DRAWING IS UNPUBLISHED. RELEASED FOR PUBLICATION
 © COPYRIGHT - By - ALL RIGHTS RESERVED.

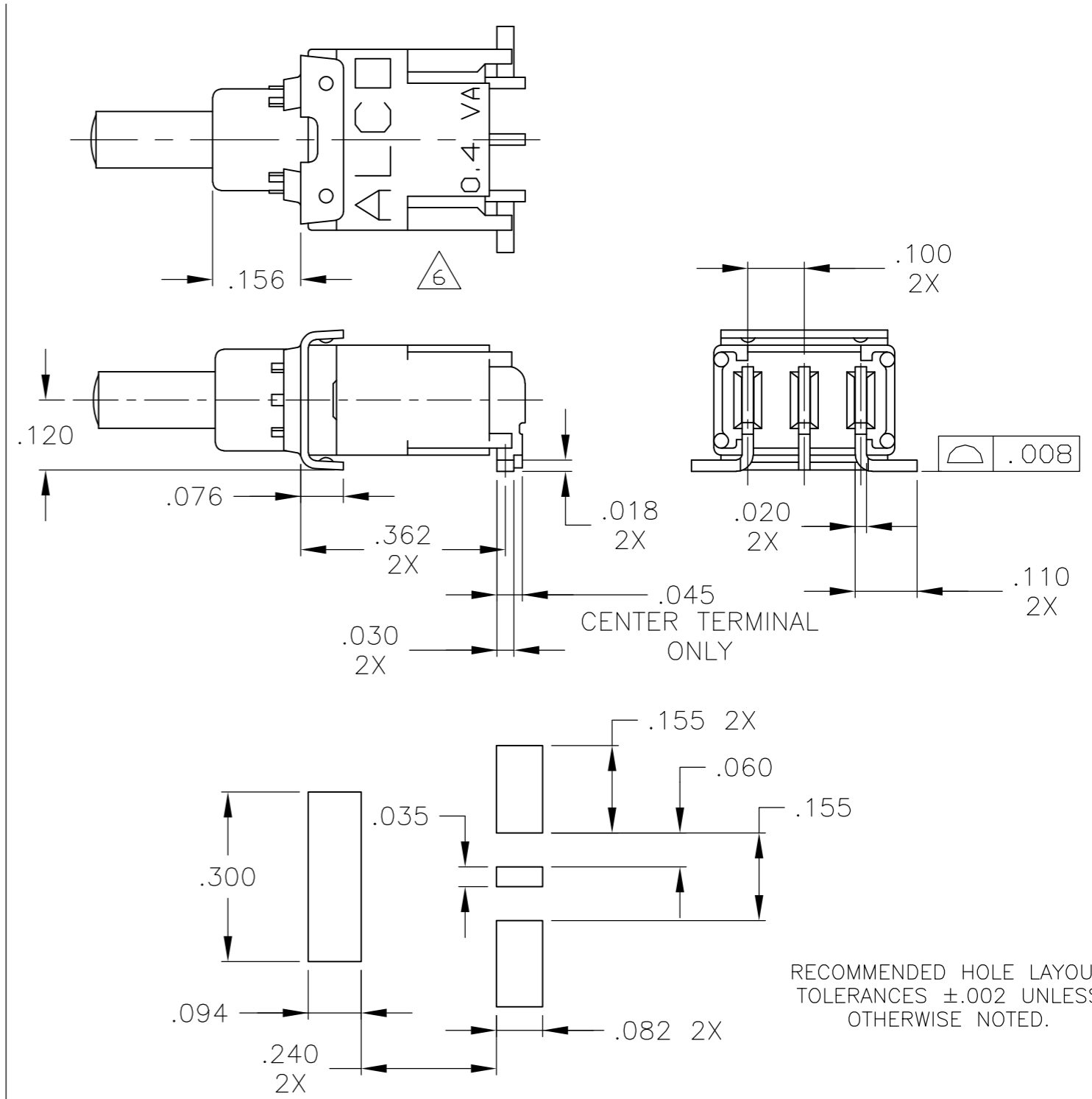
LOC		DIST		REVISIONS			
P	LTR	DESCRIPTION	DATE	DWN	APVD		
-	-	SEE SHEET 1	-	-	-		



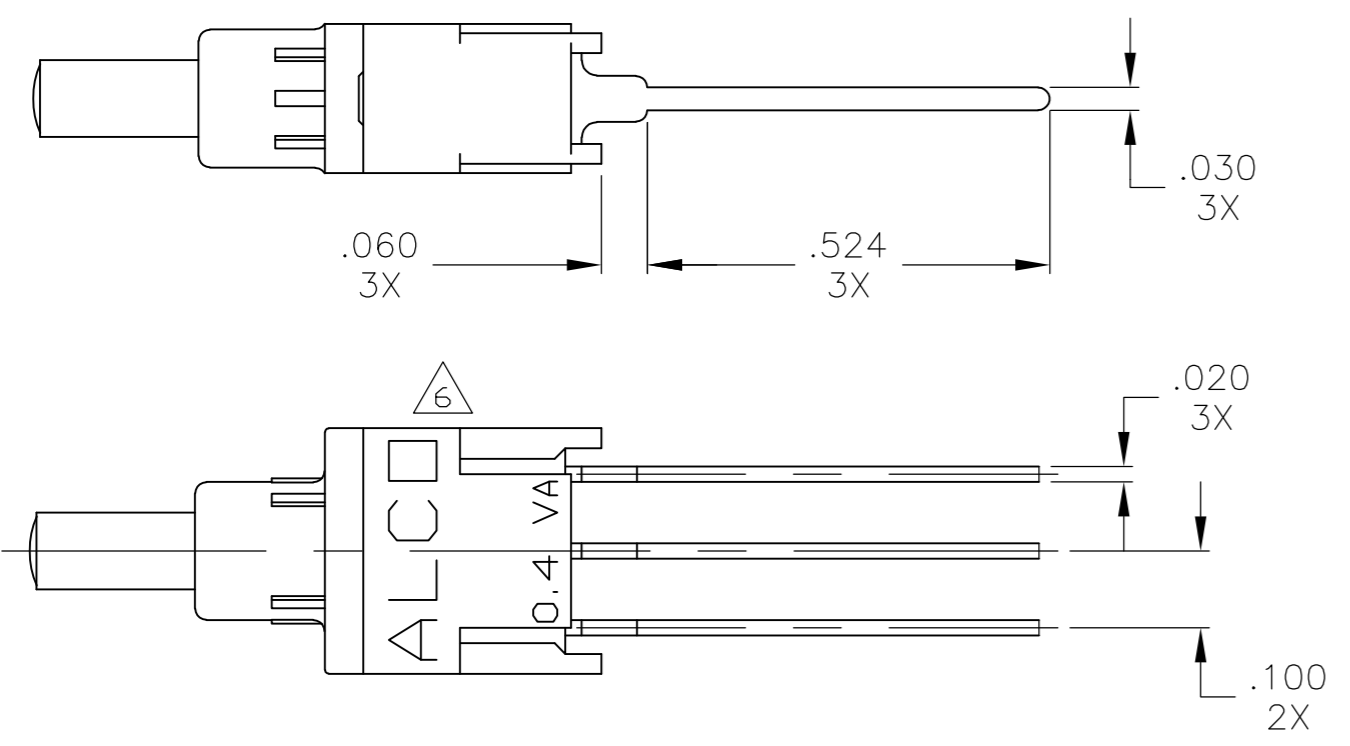
RECOMMENDED HOLE LAYOUT TOLERANCES ±.002 UNLESS OTHERWISE NOTED.
PCV PC WITH VERTICAL SUPPORT BRACKET



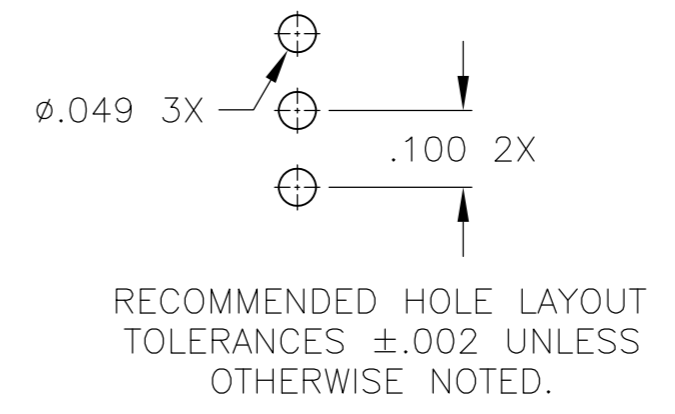
RECOMMENDED HOLE LAYOUT TOLERANCES ±.002 UNLESS OTHERWISE NOTED.
SPC SURFACE MOUNT



RECOMMENDED HOLE LAYOUT TOLERANCES ±.002 UNLESS OTHERWISE NOTED.
SRA SURFACE MOUNT RIGHT ANGLE, "L" BENDA



WW WIRE WRAP

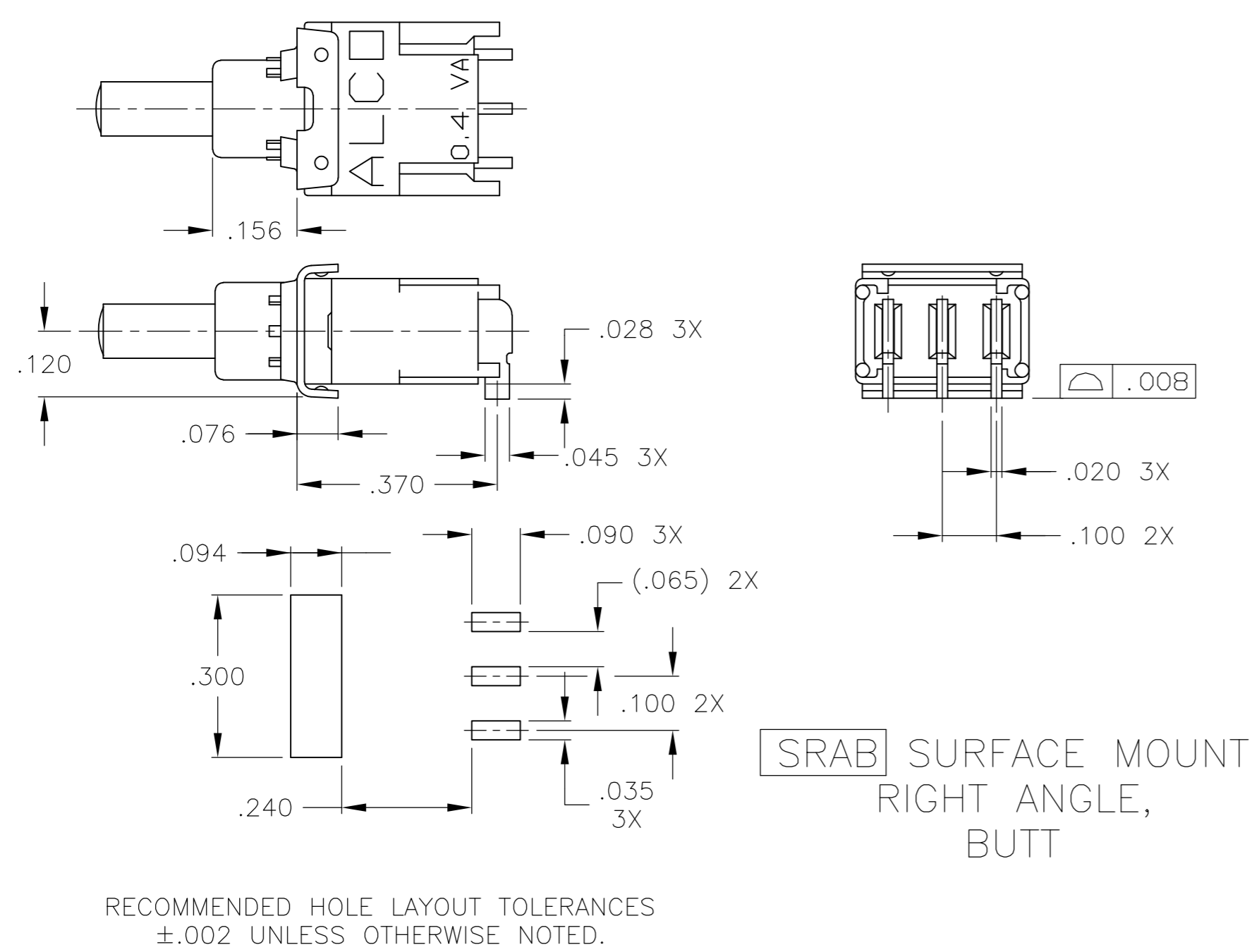
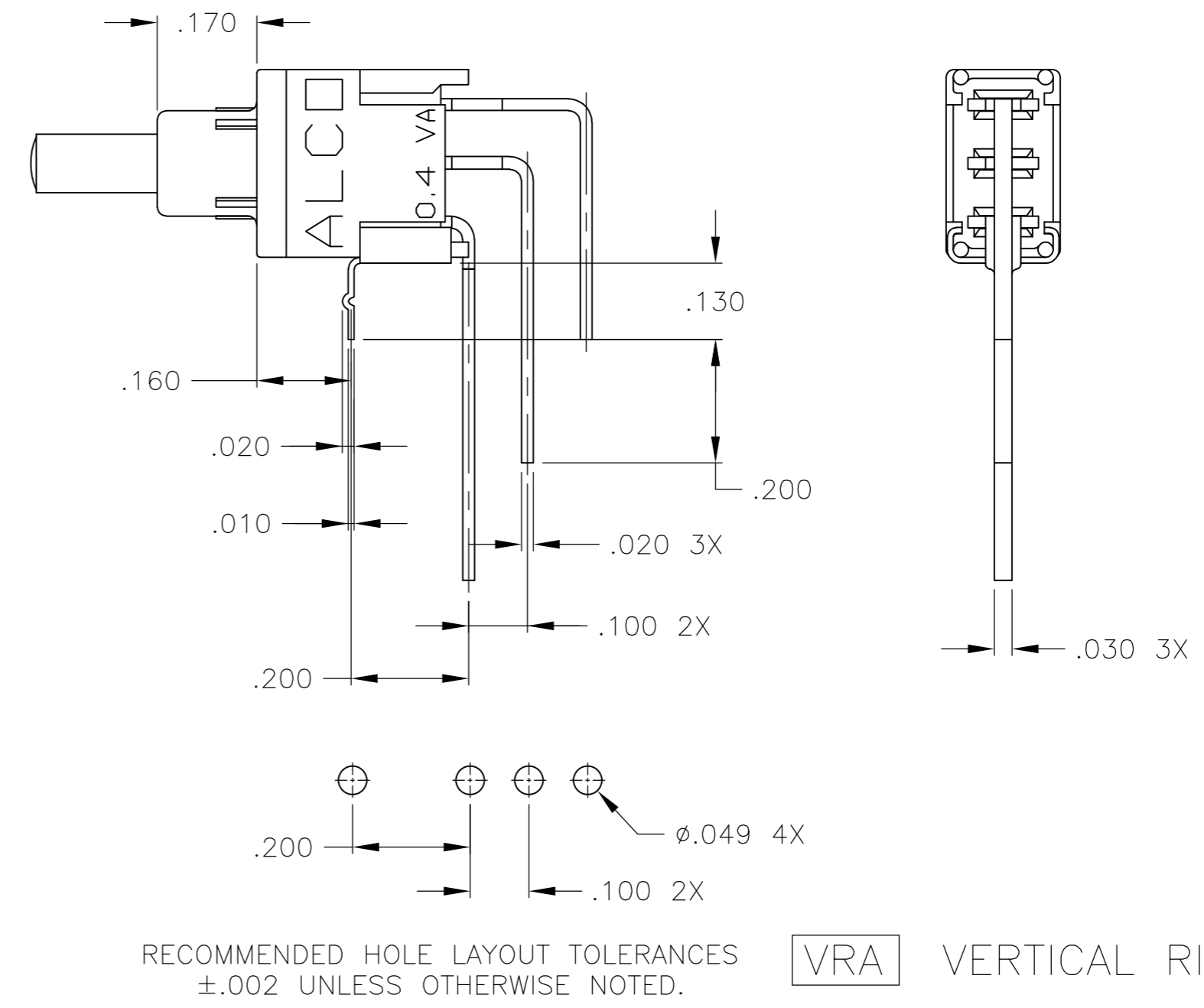
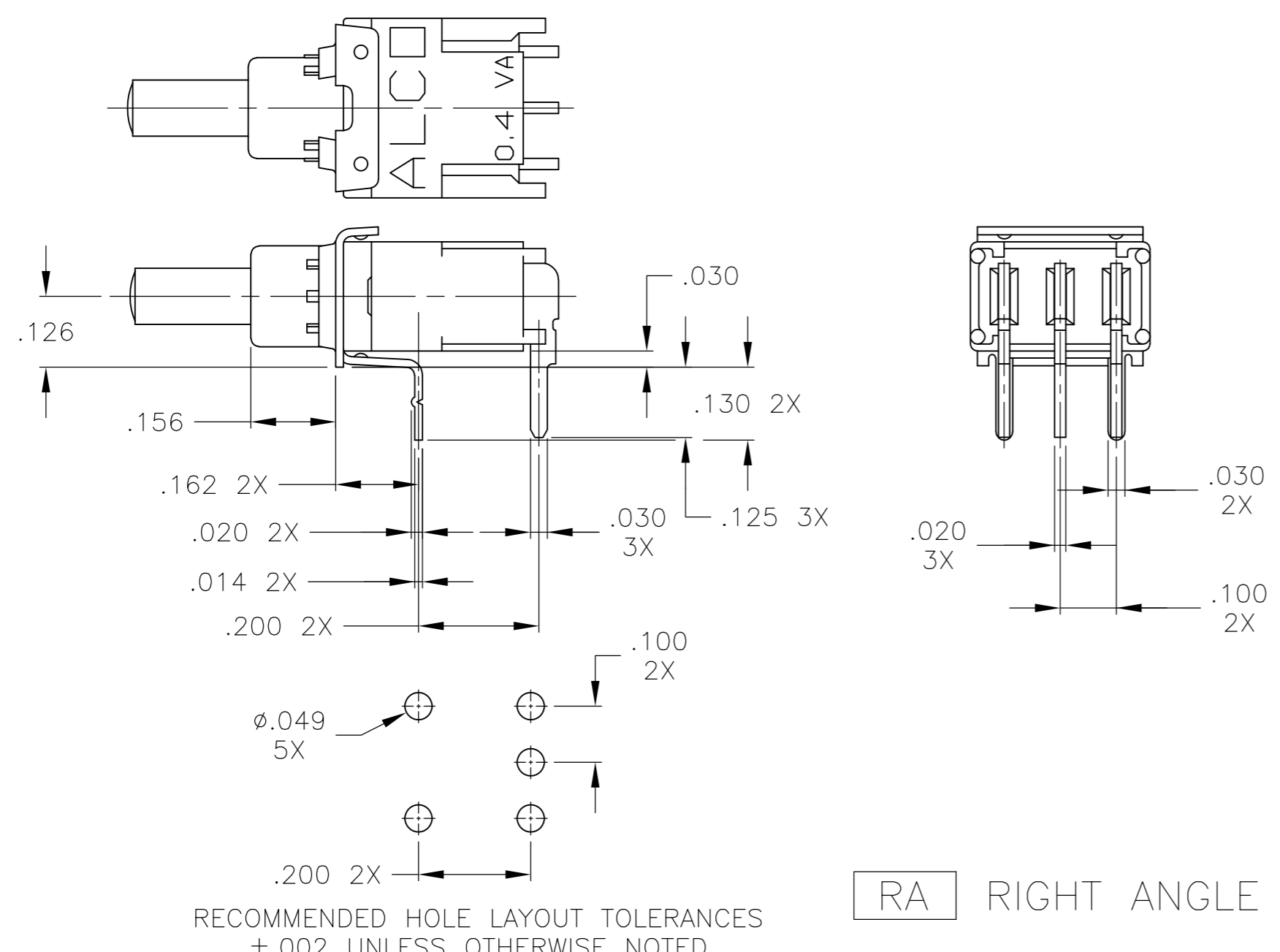


RECOMMENDED HOLE LAYOUT TOLERANCES ±.002 UNLESS OTHERWISE NOTED.

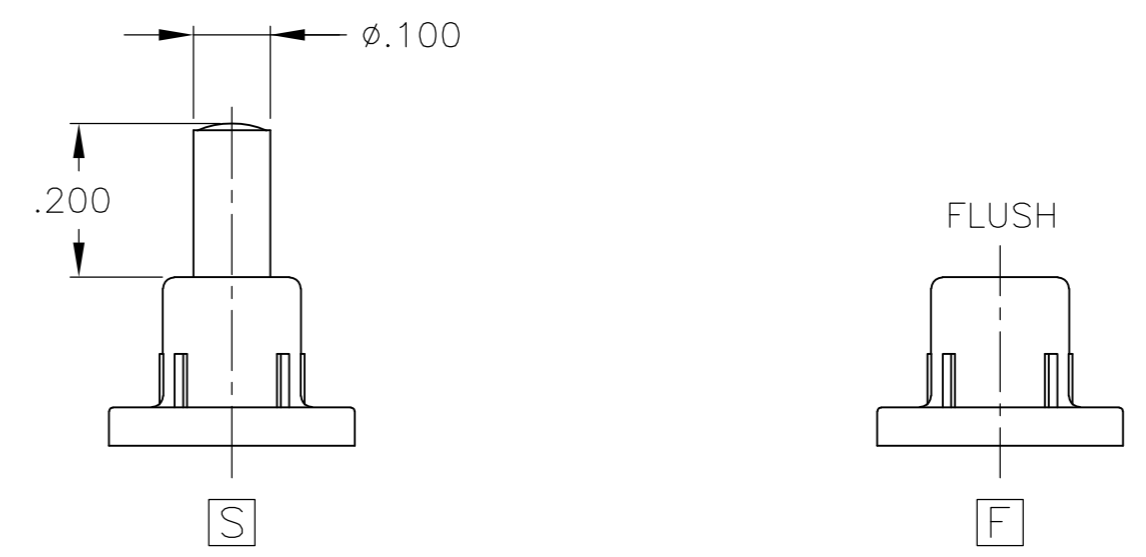
FILE NAME: 40287S1L		THIS DRAWING IS A CONTROLLED DOCUMENT.		DWN: C.M.M. 9-19-90		
DIRECTORY: PSHSWTCH		DIMENSIONS: INCHES		CHK: B.J.A. 12-20-90		
CODE IDENT. NO. 91506		TOLERANCES UNLESS OTHERWISE SPECIFIED:		APVD: B.J.A. 12-20-90	NAME: OUTLINE DRAWING SEALED PUSHBUTTON SWITCH SINGLE POLE TSP SERIES	
PRODUCT CODE: B53		FINISH: SEE NOTES		PRODUCT SPEC: -	SIZE: A2	
MATERIAL: SEE SPECIFICATIONS		MATERIAL: SEE SPECIFICATIONS		APPLICATION SPEC: -	CAGE CODE: 00779	
				WEIGHT: -	DRAWING NO: 1-1437573-1	
				CUSTOMER DRAWING	RESTRICTED TO: -	
				SCALE: 4:1	SHEET: 2 of 4	
					REV: H	

THIS DRAWING IS UNPUBLISHED. RELEASED FOR PUBLICATION
 © COPYRIGHT - By - ALL RIGHTS RESERVED.

LOC		DIST		REVISIONS			
P	LTR	DATE	DWN	APVD	DESCRIPTION		
-	-	-	-	-	SEE SHEET 1		



ACTUATORS


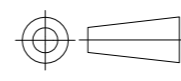


FILE NAME: 40287S1L	DIMENSIONS: INCHES	TOLERANCES UNLESS OTHERWISE SPECIFIED:	DWN C.M.M. 9-19-90		NAME
DIRECTORY: PSHSWCH		0 PLC ± -	CHK B.J.A. 12-20-90		OUTLINE DRAWING SEALED PUSHBUTTON SWITCH SINGLE POLE TSP SERIES
CODE IDENT. NO. 91506		1 PLC ± -	APVD B.J.A. 12-20-90	SIZE	CAGE CODE
PRODUCT CODE: B53	MATERIAL SEE SPECIFICATIONS	2 PLC ± -	PRODUCT SPEC	DRAWING NO	RESTRICTED TO
		3 PLC ± .010	APPLICATION SPEC	SCALE	SHEET
		4 PLC ± -	FINISH	4:1	3 of 4
		ANGLES ± 1°	WEIGHT	A2 00779	REV
		SEE NOTES	CUSTOMER DRAWING	C=1-1437573-1	H

THIS DRAWING IS UNPUBLISHED. RELEASED FOR PUBLICATION
 © COPYRIGHT - By - ALL RIGHTS RESERVED.

LOC	DIST	REVISIONS					
		P	LTR	DESCRIPTION	DATE	DWN	APVD
-	-	-	-	SEE SHEET 1	-	-	-

	TSPD11CGPC0	1-1437573-1
	TSPD11CGPC2	1-1437573-3
	TSPD11CGPCV0	1-1437573-4
	TSPD11CGRA0	1-1437573-5
	TSPD11CGRA2	1-1437573-7
OBSOLETE	TSPD11CGRA6	4-1437573-2
	TSPD11CGSPC0	1-1437573-8
	TSPD11CGSPC2	4571210-1
	TSPD11CGSRA0TR	1571733-1
	TSPD11CGSRA0	1-1437573-9
	TSPD11CGSRA2	2-1437573-0
OBSOLETE	TSPD11CGSRAB0	2-1437573-1
	TSPD11CGVRA0	2-1437573-2
	TSPD11CGWW0	2-1437573-3
	TSPD11FGPC0	2-1437573-4
	TSPD11FGPCV0	2-1437573-5
	TSPD11FGRA0	2-1437573-6
OBSOLETE	TSPD11FGSPC0	2-1437573-7
	TSPD11FGSRA0	2-1437573-8
	TSPD11FGSRAB0	2-1437573-9
	TSPD11FGVRA0	3-1437573-0
	TSPDF11CGPC0	3-1437573-1
OBSOLETE	TSPDF11CGSRAB0TR	4571460-1
	TSPDF11CGSRA0TR	4571533-1
	TSPDF11CGRA0	3-1437573-2
	TSPDF11CGSRA0	3-1437573-3
	TSPDF11CGVRA0	3-1437573-4
	TSPDF11FGPC0	3-1437573-5
	TSPDF11FGRA0	3-1437573-6
OBSOLETE	TSPDF11FGSRA0	3-1437573-7
PRELIMINARY PART	TSPDF11FGVRA0	1571369-1
	MODEL NUMBER	PART NUMBER

FILE NAME: 40287S1L	THIS DRAWING IS A CONTROLLED DOCUMENT.		DWN C.M.M. 9-19-90	 TE Connectivity	
DIRECTORY: PSHSWCH	DIMENSIONS: INCHES	TOLERANCES UNLESS OTHERWISE SPECIFIED:	CHK B.J.A. 12-20-90		
CODE IDENT. NO. 91506		0 PLC ± -	APVD B.J.A. 12-20-90	NAME OUTLINE DRAWING SEALED PUSHBUTTON SWITCH SINGLE POLE TSP SERIES	
PRODUCT CODE: B53		MATERIAL SEE SPECIFICATIONS	1 PLC ± - 2 PLC ± - 3 PLC ± .010 4 PLC ± - ANGLES ± 1°	PRODUCT SPEC -	SIZE A2
		FINISH SEE NOTES	APPLICATION SPEC -	DRAWING NO. 1-1437573-1	RESTRICTED TO -
			WEIGHT -	SCALE 4:1	SHEET 4 of 4
			CUSTOMER DRAWING	REV H	

X-ON Electronics

Largest Supplier of Electrical and Electronic Components

Click to view similar products for [Pushbutton Switches](#) category:

Click to view products by [TE Connectivity](#) manufacturer:

Other Similar products are found below :

[8940K2012](#) [LW1L-M1C10V-A](#) [LW1L-M1C70-A](#) [LW2L-A1C20M-GD](#) [LW2L-M1C20M-A](#) [60324L](#) [M22-D-R-GB0/K11](#) [M7E-HRN2](#)
[67021K512](#) [67081K512X](#) [701PB580](#) [7199K101](#) [810K12910](#) [810KSV30B](#) [MML21EA2ADK](#) [MML21KA3ABK](#) [MML23KA3AC05K-001](#)
[MML23KW3AA01W](#) [8418K2](#) [8442K3](#) [8450K1](#) [860K11911T01A](#) [861901](#) [861K11911T01A07](#) [861K13810T00A14](#) [861K13911](#)
[8646AB6X718UL](#) [8646ABUL](#) [9001KXRK](#) [907AYY100](#) [PMHD155A1](#) [9533CD4+U574+U4922](#) [95-414.000](#) [99-450.837](#) [99-453.837](#)
[PV3H2B0NN-341](#) [1203MRA](#) [A22NZBGANGA](#) [A22NZBNANGA](#) [A22NZMPATRA](#) [A2PMA1X03EC56](#) [A3A-5123-02](#) [A3A-7140](#) [A3A-7310](#) [A3A-7340](#) [A3U-TMW-A2C-5M](#) [A595](#) [12037A2ULCSA](#) [ABD122N-B](#) [1211390004](#)