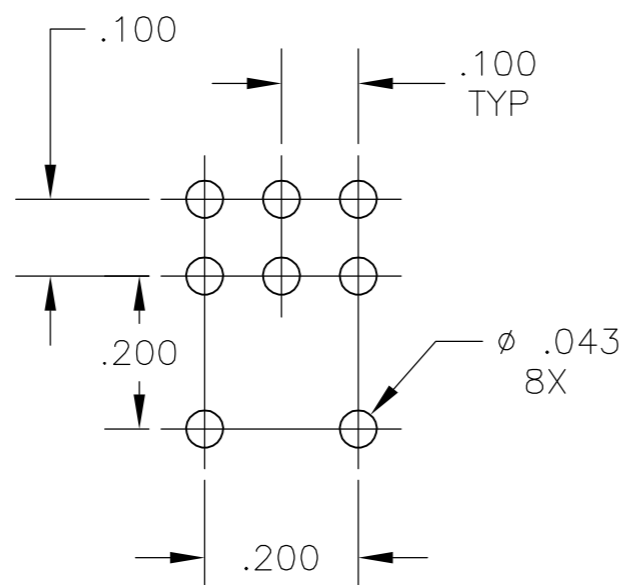
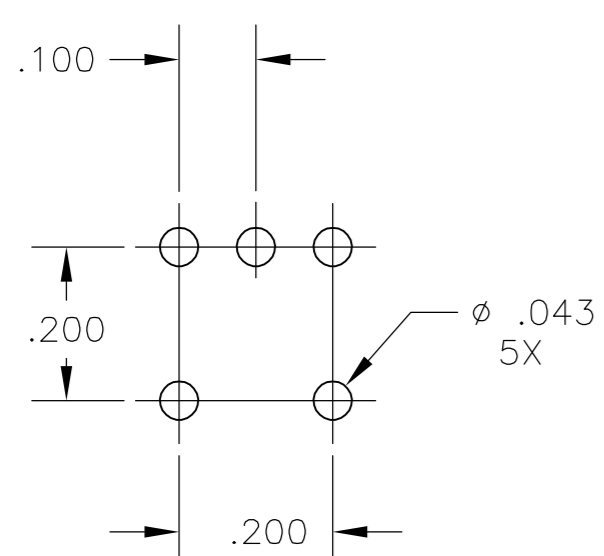
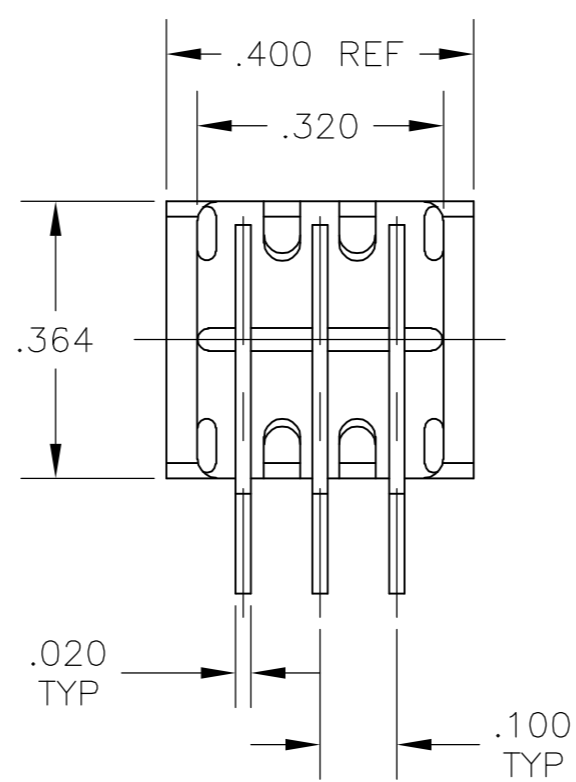
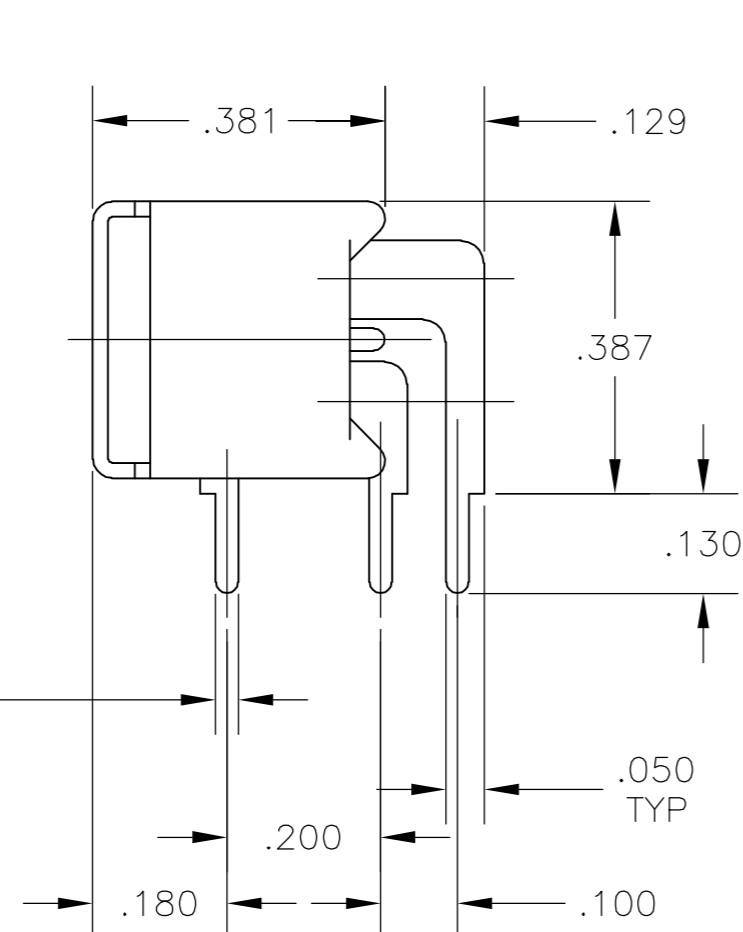
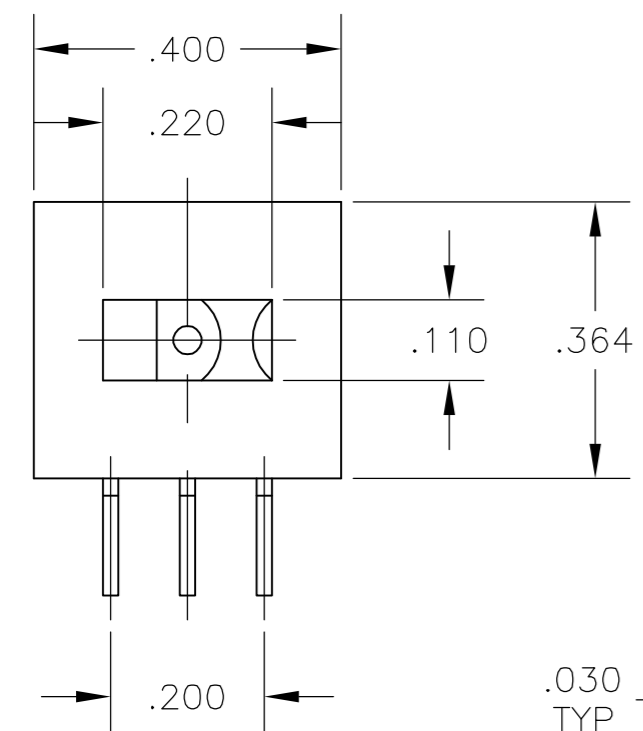
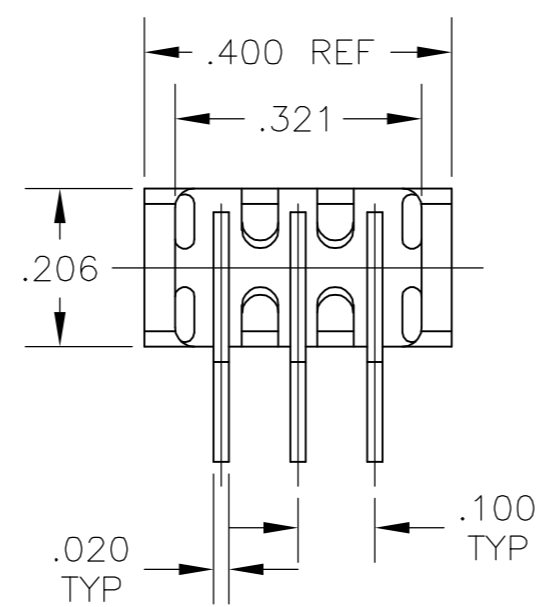
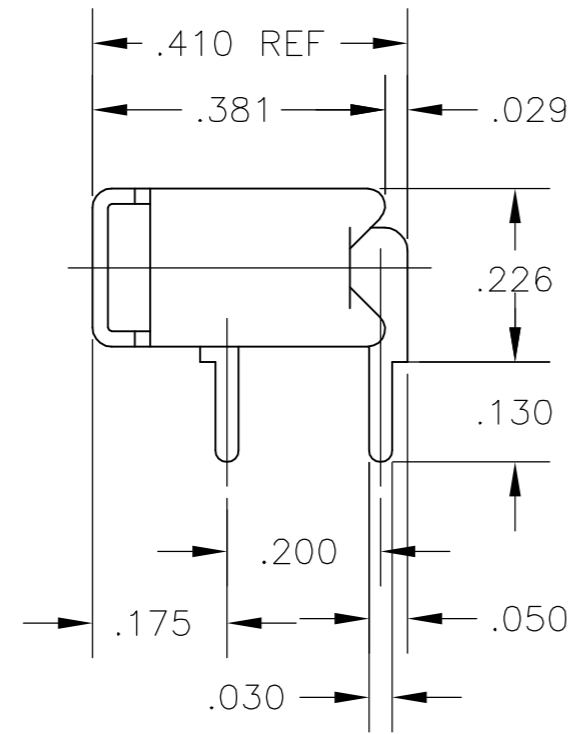
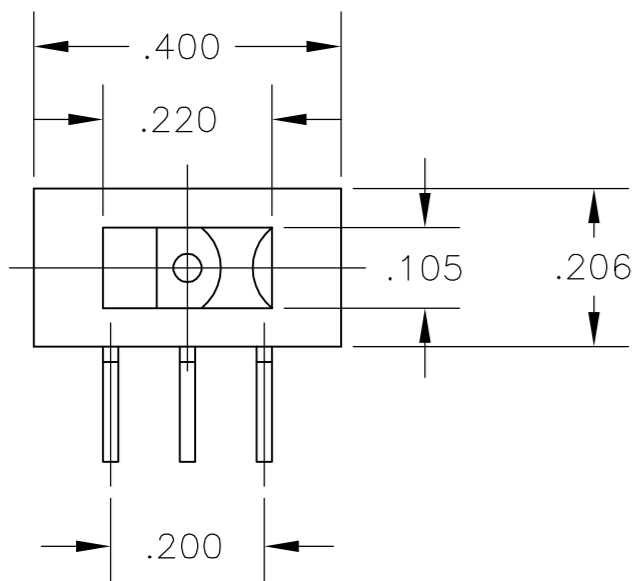


THIS DRAWING IS UNPUBLISHED. RELEASED FOR PUBLICATION
 © COPYRIGHT BY TYCO ELECTRONICS CORPORATION. ALL RIGHTS RESERVED.

LOC		DIST		REVISIONS			
AD	00	P	LTR	DESCRIPTION	DATE	DWN	APVD
		C		E0G3C-0588-03	14MAR07	BSV	MS



PC CUTOUT FOR SP

PC CUTOUT FOR DP

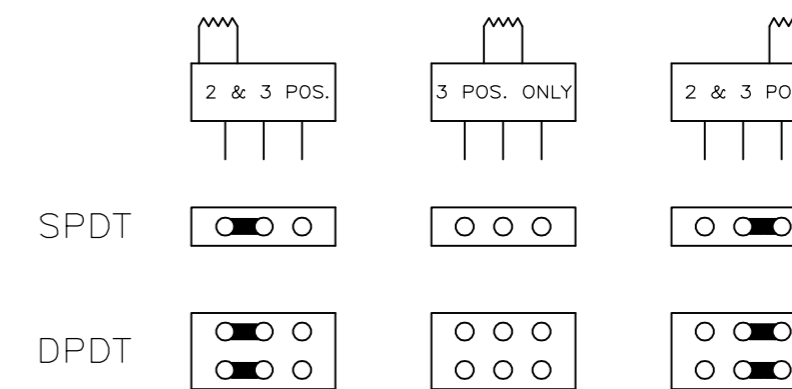
SPECIFICATIONS:

MATERIALS:
 CASE: HIGH TEMPERATURE POLYESTER.
 ACTUATOR: POLYESTER.
 MOVABLE CONTACT: GOLD OVER NICKEL OVER COPPER ALLOY.
 STATIONARY CONTACT: GOLD OVER NICKEL OVER COPPER ALLOY.
 TERMINALS: GOLD OVER NICKEL OVER COPPER ALLOY
 FRAME: BRIGHT TIN PLATE OVER C.R.S.

ELECTRICAL:
 CONTACT RATING: 0.4 VA MAX. @20 VDC OR PEAK AC.
 CONTACT RESISTANCE: 40 MILLIOHMS MAX.
 INSULATION RESISTANCE: 1000 MEGOHMS MIN. @ 500V DC
 DIELECTRIC STRENGTH: 1000 VOLTS RMS @ SEA LEVEL.
 LIFE EXPECTANCY: 60,000 - 80,000 CYCLES

ENVIRONMENTAL:
 OPERATING TEMPERATURE: -4°F TO +176°F (-20°C TO +80°C)
 STORAGE TEMPERATURE: -4°F TO +176°F (-20°C TO +80°C)

SOLDERABILITY PER EIA 364-52 CLASS 2 CATEGORY 1



TYCO PT. NO.	MODEL NO.	TYPE	ACTION
1437579-9	TSS11DG-1-RA	SPDT	ON-NONE-ON
1-1437579-3	TSS11EG-1-RA	SPDT	ON-OFF-ON
1-1437579-8	TSS21NG-1-RA	DPDT	ON-NONE-ON
2-1437579-2	TSS21PG-1-RA	DPDT	ON-OFF-ON

THIS DRAWING IS A CONTROLLED DOCUMENT.		DWN B. BUCKHEK 29AUG1978	Tyco Electronics Corporation Harrisburg, Pa 17105-3608	
DIMENSIONS: INCHES		CHK 30AUG1978	NAME	
TOLERANCES UNLESS OTHERWISE SPECIFIED: 0 PLC ± - 1 PLC ± - 2 PLC ± - 3 PLC ± .010 4 PLC ± - ANGLES ± 1		APVD	PRODUCT SPEC	
MATERIAL SEE SPECIFICATIONS		FINISH	APPLICATION SPEC	
		WEIGHT	SIZE A2	CAGE CODE 00779
		CUSTOMER DRAWING	DRAWING NO C=1437579-9	RESTRICTED TO
		SCALE 4:1	SHEET 1 OF 1	REV C

X-ON Electronics

Largest Supplier of Electrical and Electronic Components

Click to view similar products for [Slide Switches](#) category:

Click to view products by [TE Connectivity](#) manufacturer:

Other Similar products are found below :

[6-1437581-1](#) [M43R](#) [MHS123K15D](#) [MHS133K](#) [MHSS1104A](#) [MMD](#) [GH49S010001](#) [MSS12A](#) [EPS1PC1](#) [1825074-1](#) [1825160-3](#) [1825167-2](#)
[1825289-7](#) [K232CB](#) [25139NLDB](#) [25449NAH](#) [SLB1240R45](#) [1825078-1](#) [1825080-4](#) [1825269-1](#) [1825270-2](#) [STS141RA04](#) [T2215BEN506](#)
[GH46P000001](#) [GH46W000001](#) [GH49P010001](#) [25339NA](#) [M42A](#) [TG36P000000](#) [TG36P000050](#) [AYZ0202AG](#) [47227LFE](#) [49331L](#) [50208L](#)
[L203091MS02Q](#) [4-1437581-7](#) [X2225CR-437W](#) [49329L](#) [1101M1S3ZB8E2](#) [1-1437581-1](#) [MSS2225G04](#) [TG39W000000](#) [1825075-1](#)
[MSS42G](#) [TG36WS80065](#) [T105S1CWZBE](#) [SLB124145](#) [SLB1280R5](#) [SLB1340R45](#) [25136NLDB](#)