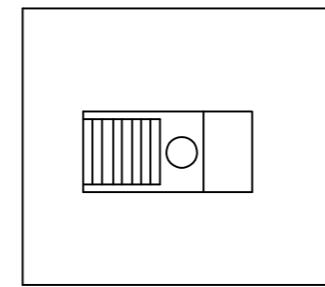
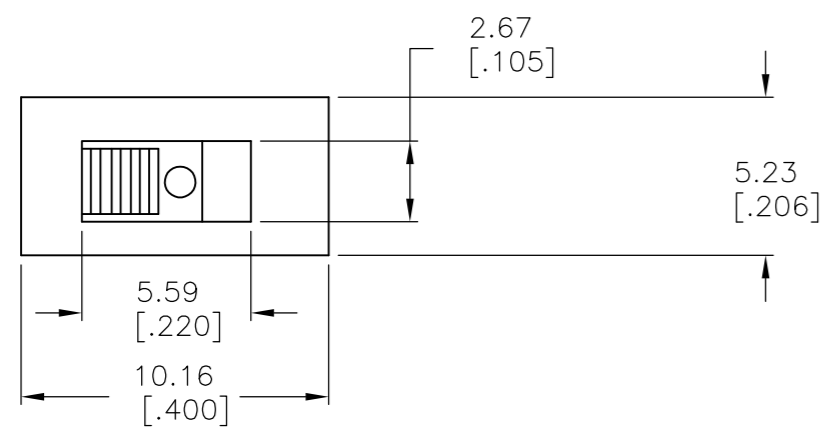


THIS DRAWING IS UNPUBLISHED. RELEASED FOR PUBLICATION
 © COPYRIGHT - By - ALL RIGHTS RESERVED.

LOC		DIST		REVISIONS			
P	LTR	DESCRIPTION	DATE	DWN	APVD		
B1		REVISED PER ECO-11-004820	11MAR11	RK	HMR		



MATERIALS:
 CASE: LCP, 94V-0.
 ACTUATOR: PBT, 94V-0.
 MOVING CONTACT: COPPER, GOLD PLATE OVER NICKEL.
 FIXED CONTACT/TERMINAL: COPPER, GOLD PLATE OVER NICKEL.

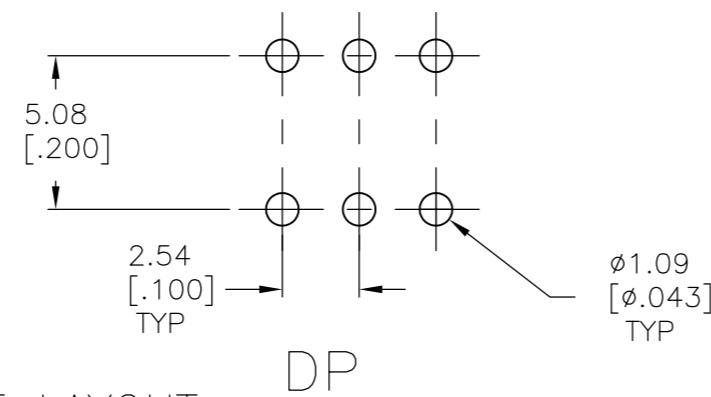
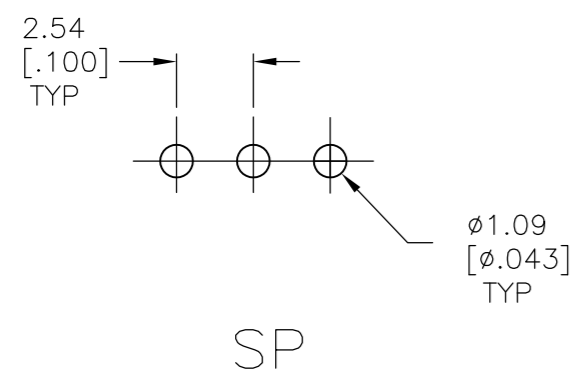
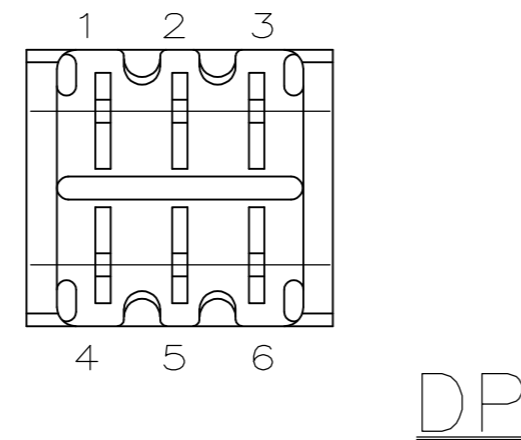
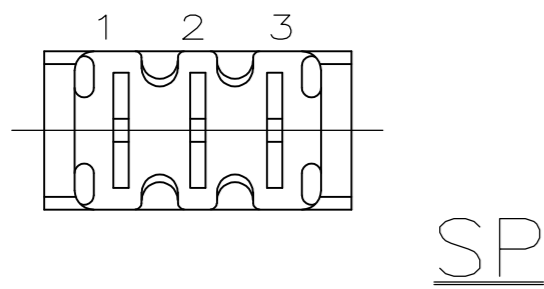
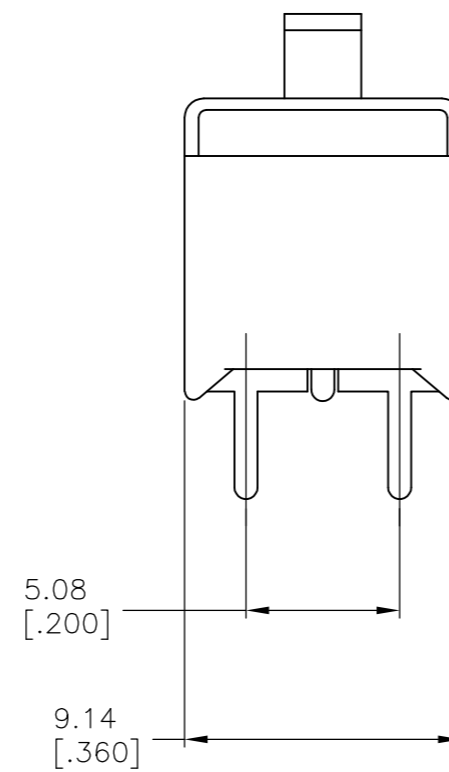
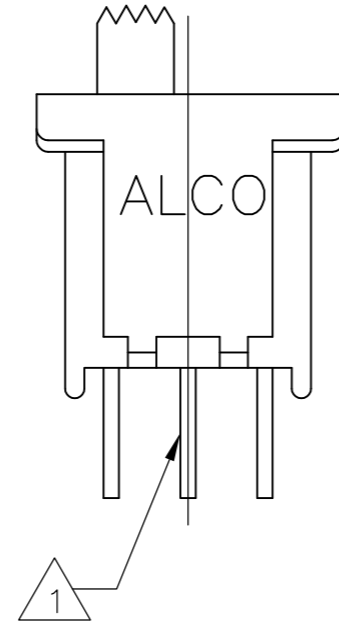
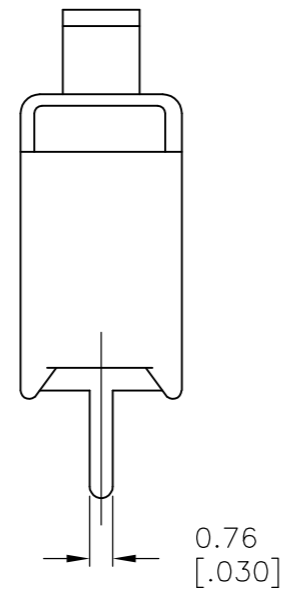
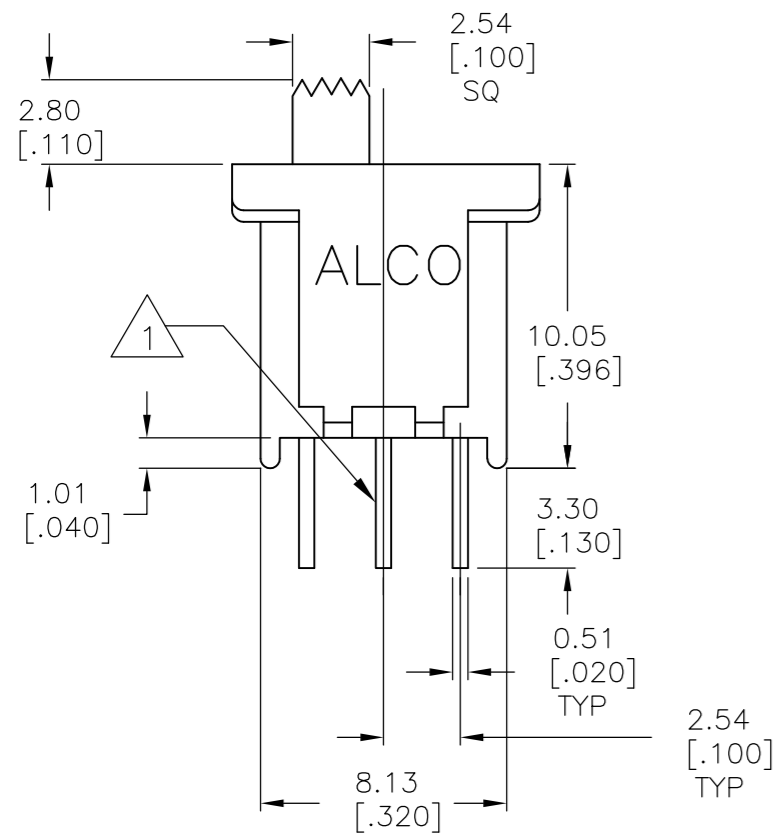
ELECTRICAL:
 CONTACT RATING: 0.4 VA MAX. @ 20 VDC OR PEAK AC.
 INITIAL CONTACT RESISTANCE: 20 MILLIOHMS MAX. 100 MV & 1 MA. MIN. AT 500 VDC.
 INSULATION RESISTANCE: 1,000 M
 DIELECTRIC STRENGTH: 1000 VOLTS RMS AT SEA LEVEL.
 LIFE: 60,000 - 80,000 CYCLES.

MECHANICAL:
 ACTUATION FORCE: 150-600 GRAMS

ENVIRONMENTAL:
 OPERATING TEMPERATURE: -4°F TO + 176°F (-20°C TO +80°C)
 STORAGE TEMPERATURE: -4°F TO + 176°F (-20°C TO +80°C)
 SOLDER HEAT RESISTANCE PER EIA-364-56A, PROCEDURE 3, COND. B
 SOLDERABILITY PER EID 364-52, CLASS 2 CATEGORY 1

1 CENTER TERMINAL NOT FURNISHED.

2 ALL MATERIALS AND FINISHES SHALL COMPLY WITH EU DIRECTIVE 2002/95/EC OF 27JAN2003 (ROHS).



RECOMMENDED HOLE LAYOUT
 LAYOUT TOLERANCES ±0.05[.002]

P/N	Alco P/N	Actuator Flush/Extended	Position	Type	Terminal 1	Terminal 2	Terminal 3
1571982-1	TSS11DGPC04	Extended	2	SPDT	1,2	None	2,3
1571982-2	TSS11DG1PC04	Flush	2	SPDT	1,2	None	2,3
1571982-3	TSS11EG1PC04	Flush	3	SPDT	1,2	Off	2,3
1571982-4	TSS11EGPC04	Extended	3	SPDT	1,2	Off	2,3
1571982-5	TSS21KGPC04	Extended	2	DPDT	1-3, 4-6	None	Off
1571982-6	TSS21NG1PC04	Flush	2	DPDT	1-2, 4-5	None	2-3, 5-6
1571982-7	TSS21NGPC04	Extended	2	DPDT	1-2, 4-5	None	2-3, 5-6
1571982-8	TSS21PG1PC04	Flush	3	DPDT	1-2, 4-5	Off	2-3, 5-6
1571982-9	TSS21PGPC04	Extended	3	DPDT	1-2, 4-5	Off	2-3, 5-6

THIS DRAWING IS A CONTROLLED DOCUMENT.		DWN M.BINNER 28FEB2006	STE TE Connectivity			
DIMENSIONS: mm [INCHES]		CHK M.SARVER				
TOLERANCES UNLESS OTHERWISE SPECIFIED:		APVD M.SARVER	NAME SLIDE SWITCH TSS11 AND TSS21 SERIES			
0 PLC ± -		PRODUCT SPEC				
1 PLC ± -		APPLICATION SPEC	SIZE A2	CAGE CODE 00779	DRAWING NO. C=1571982	RESTRICTED TO -
2 PLC ± 0.25[.010]		WEIGHT -	SCALE 1:1	SHEET 1 OF 1	REV B1	
3 PLC ± -		CUSTOMER DRAWING				
4 PLC ± -						
ANGLES ± -						
FINISH -						

X-ON Electronics

Largest Supplier of Electrical and Electronic Components

Click to view similar products for [Slide Switches](#) category:

Click to view products by [TE Connectivity](#) manufacturer:

Other Similar products are found below :

[6-1437581-1](#) [M43R](#) [MHSS1104A](#) [MMD](#) [GH36W010001](#) [GH49S010001](#) [1437576-8](#) [EPS1PC1](#) [1825074-1](#) [1825160-3](#) [1825167-2](#)
[25139NLDB](#) [25449NAH](#) [L101011ML04B](#) [SLB1240R45](#) [SLSA12004](#) [1825078-1](#) [1825080-4](#) [1825081-1](#) [1825269-1](#) [1825270-2](#)
[STS141RA04](#) [T2215BEN506](#) [GF-124-0204](#) [GH46P000001](#) [GH46W000001](#) [GH49P010001](#) [25339NA](#) [25436NLDH](#) [CST91246FK](#)
[TG36P000000](#) [TG36P000050](#) [47227LFE](#) [49331L](#) [MHSS1105A](#) [50208L](#) [L202091MS02Q](#) [4-1437581-7](#) [X2225CR-437W](#) [48BFSP3M2QT](#)
[49329L](#) [1101M1S3ZB8E2](#) [1-1437581-1](#) [EG1218REDACTUATOR](#) [TG39W000000](#) [1825075-1](#) [TG36WS80065](#) [T105S1CWZBE](#)
[SLB1280R5](#) [25136NLDB](#)