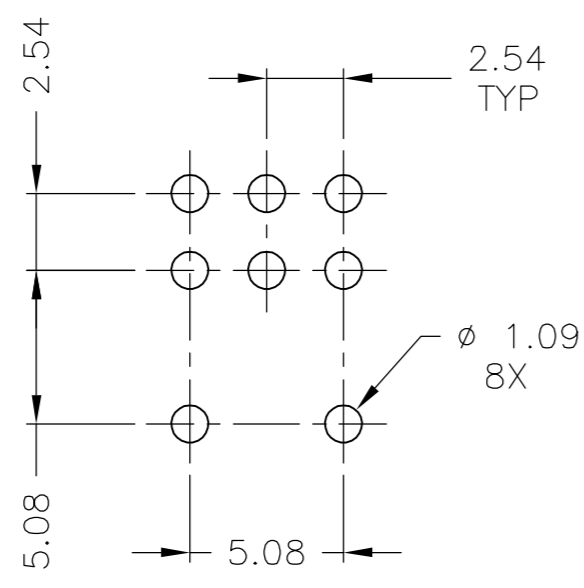
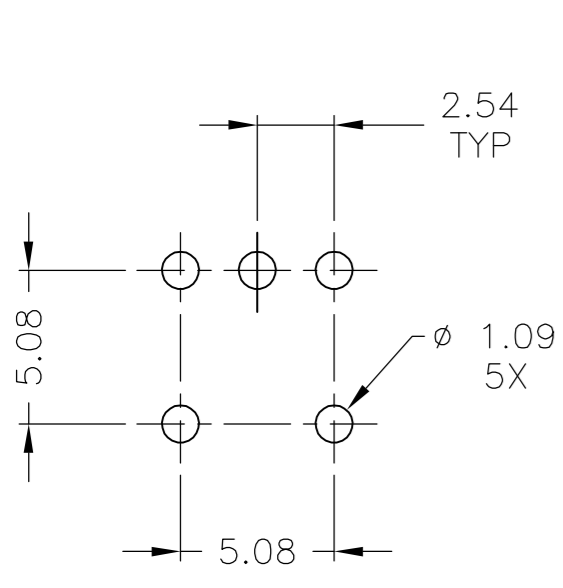
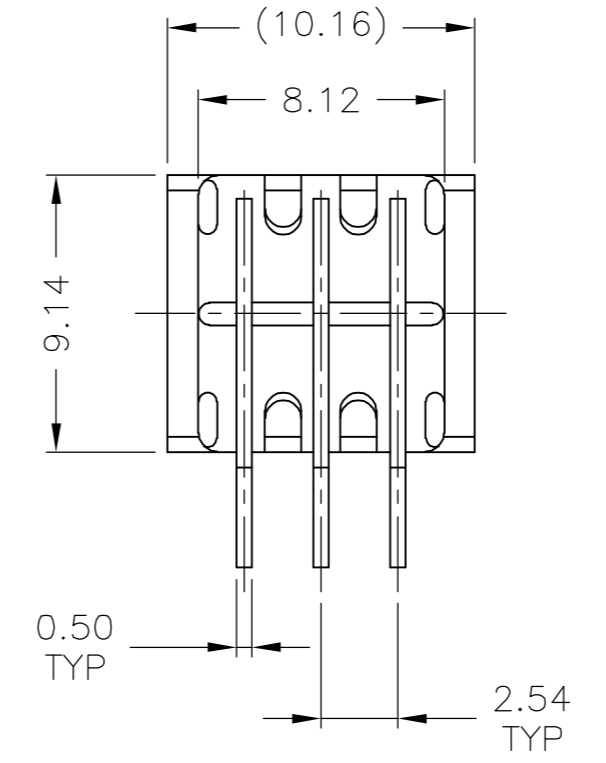
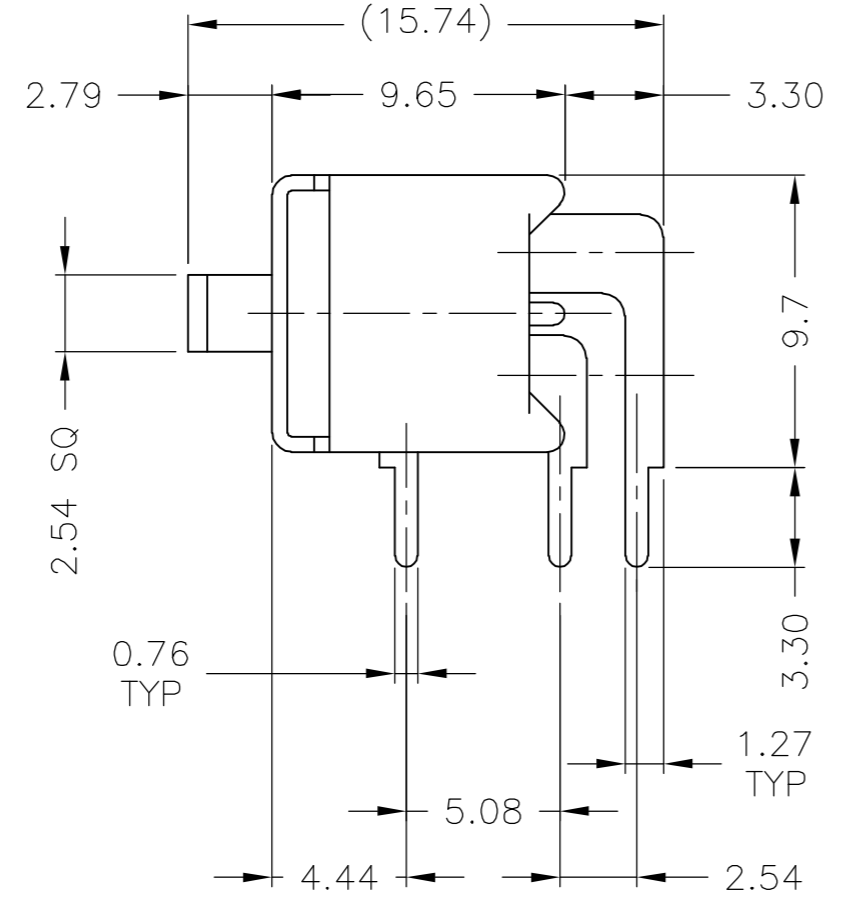
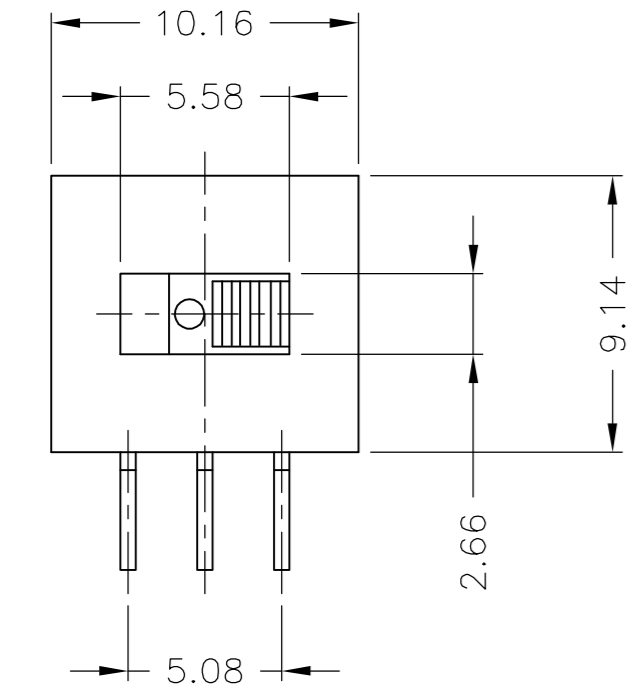
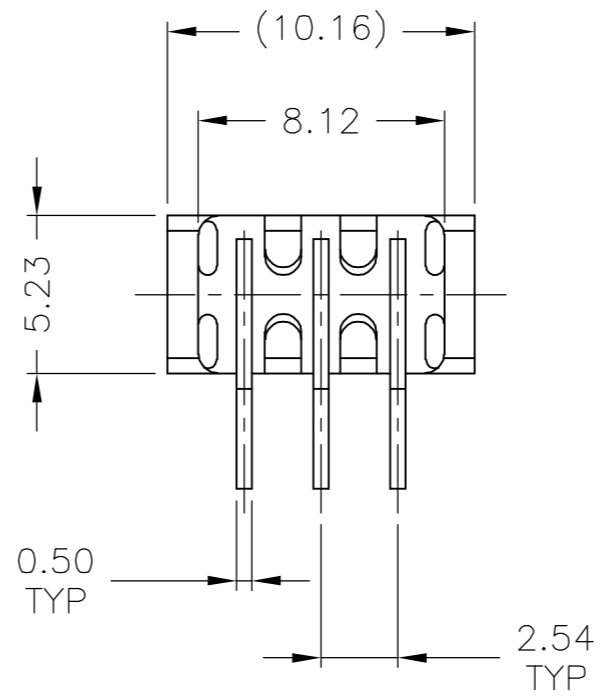
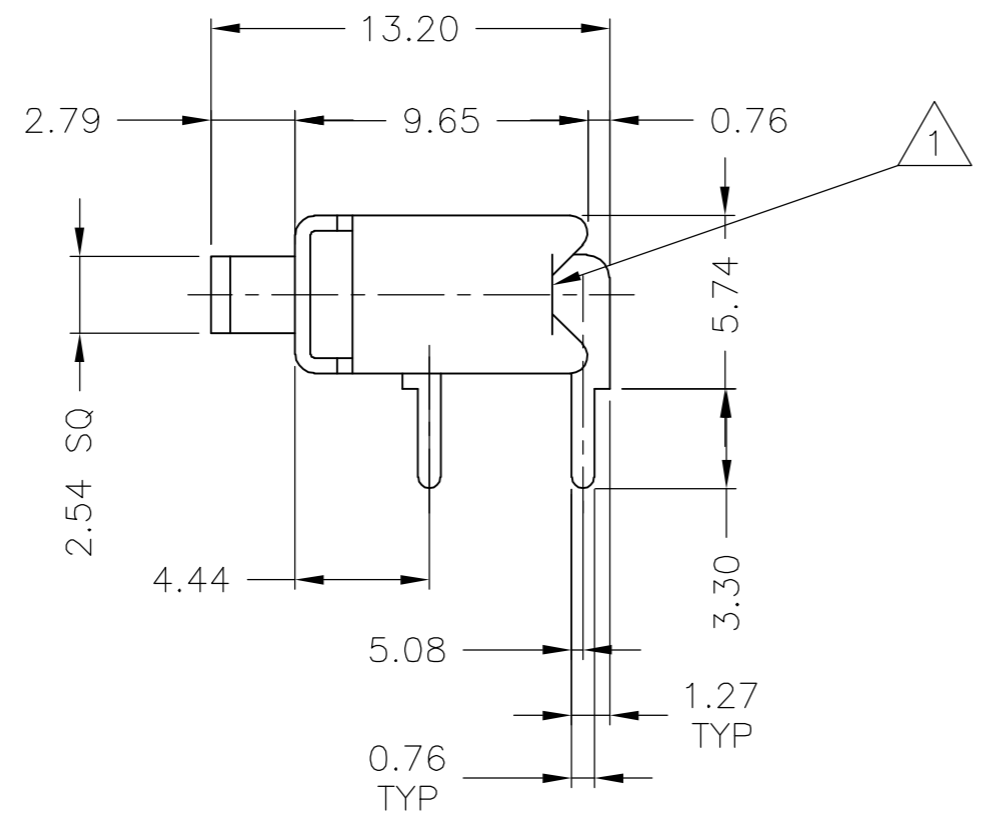
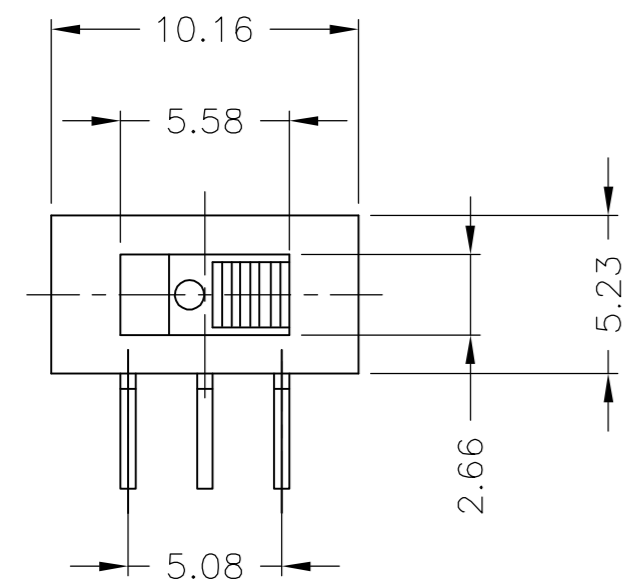


THIS DRAWING IS UNPUBLISHED. RELEASED FOR PUBLICATION  
 © COPYRIGHT BY TYCO ELECTRONICS CORPORATION. ALL RIGHTS RESERVED.

LOC		DIST		REVISIONS			
P	LTR	DESCRIPTION		DATE	DWN	APVD	
	C	0G3C-0588-03		14MAR07	BSV	MS	



**SPECIFICATIONS:**

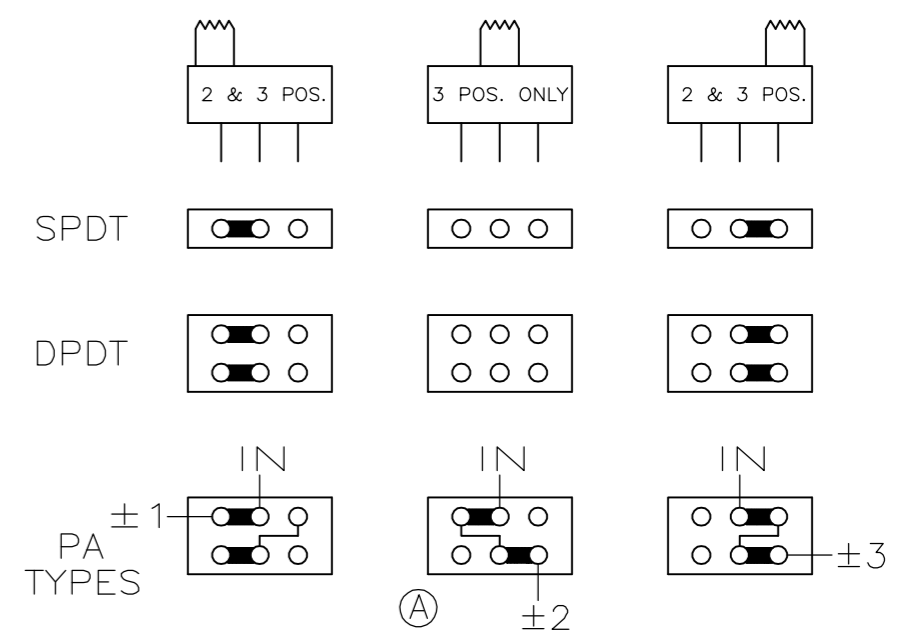
**MATERIALS:**  
 CONTACTS: COPPER WITH GOLD PLATE OVER NICKEL PLATE.  
 CASE: HIGH TEMPERATURE POLYESTER, 94V-0.  
 SLIDER: POLYESTER.

**ELECTRICAL:**  
 CONTACT RATING: 0.4 VA MAX. 20V MAX. (AC/DC).  
 CONTACT RESISTANCE: 40m<sub>Ω</sub> MAX @ 100 mV/100 mA  
 DIELECTRIC STRENGTH: 1000 VOLTS RMS @ SEA LEVEL.  
 INSULATION RESISTANCE: 1000 MEGOHMS @ 500 VDC.  
 LIFE: 60,000 - 80,000 CYCLES.

**ENVIRONMENTAL:**  
 OPERATING TEMPERATURE: -20°C TO +80°C (-4°F TO +176°F).  
 STORAGE: -20°C TO +80°C (-4°F TO +176°F).

**NOTES:**

- 1. EPOXY SEAL - 2-1437579-9 ONLY.
- 2. SOLDERABILITY PER EIA 364-52 CLASS 2 CATEGORY 1



TYCO PT. NO.	MODEL NO.	TYPE	POSN	ACTION
1-1437579-1	TSS11DG-RA	SPDT	2	ON-NONE-ON
1-1437579-5	TSS11EG-RA	SPDT	3	ON-OFF-ON
2-1437579-0	TSS21NG-RA	DPDT	2	ON-NONE-ON
2-1437579-4	TSS21PG-RA	DPDT	3	ON-OFF-ON
-	TSS21PAG-RA	DPDT	3	ON-ON-ON
2-1437579-9	TSS70932	SPDT	2	ON-NONE-ON

THIS DRAWING IS A CONTROLLED DOCUMENT.

DIMENSIONS: mm	TOLERANCES UNLESS OTHERWISE SPECIFIED:	DWN R. SWEENEY 13NOV1978	Tyco Electronics Corporation Harrisburg, Pa 17105-3808
		CHK M SARVER 19APR04	
		APVD M SARVER 19APR04	NAME OUTLINE DRAWING TSS SLIDE SWITCH
		PRODUCT SPEC	
MATERIAL SEE SPECIFICATIONS	FINISH SEE SPECIFICATIONS	WEIGHT -	RESTRICTED TO
		SCALE 4:1	SHEET 1 OF 1
		CUSTOMER DRAWING	REV C

## X-ON Electronics

Largest Supplier of Electrical and Electronic Components

*Click to view similar products for [TE Connectivity](#) manufacturer:*

Other Similar products are found below :

[D38999/24FJ4AN](#) [570416-000](#) [CLTEQ-M81CE-SSRELAY-4-20V](#) [4-1195131-0](#) [650069-000](#) [SMD100-2](#) [358838-000](#) [CB-1022B-78](#)  
[RM707012](#) [RP410012](#) [MMS42](#) [1-640426-8](#) [2EDL4CM](#) [DTS20W19-11PD-3028-LC](#) [RM202615](#) [NC6-P104-06](#) [MSPS103B](#) [DTS26F21-](#)  
[41HE-LC](#) [DTS26F21-41AE](#) [DTS26F21-41PE-LC](#) [DTS26F21-11SE-3028-LC](#) [30DCB6](#) [1932144-1](#) [293545-4](#) [LVR125S](#) [MS27466T25F4PB](#)  
[CKB-38-78010](#) [TR04AI-TINELLOCKRING](#) [1206SFF150F/63-2](#) [D38999/20JB35HA](#) [TE1500A2R2J](#) [D38999/20WC8BB](#) [DTS24F19-11SC-](#)  
[3028-LC](#) [D38999/24WG11HA](#) [D38999/24WG11HN](#) [MS27467T21F11H](#) [DJT16E21-11HA](#) [MS27467T21F35J](#) [MS27467T21F11J](#)  
[MS27467T21F16H-LC](#) [MS27467T21F35H](#) [MS27467T21F41H-LC](#) [1206SFH150F/24-2](#) [RP330024](#) [DJT16E21-11PA-LC](#) [DJT16E21-11HA-](#)  
[LC](#) [DJT16E21-11AA](#) [MS27467T21B11JA](#) [DJT16E21-11JA](#) [MS27467T21B11JA-LC](#)