



Alcoswitch

TE Part # 1-1437579-6

TE Internal #: TSS21KGPC

[View on TE.com >](#)

Relays, Contactors & Switches > Switches > Slide Switches



Configuration (Pole-Throw): **Double Pole - Single Throw**

Mounting Angle: **Vertical**

Contact Base Material: **Copper**

Number of Actuators: **Single**

Number of Positions: **1**

Features

Product Type Features

Threaded Case	Without
Switch Type	Slide
Product Type	Switch
Terminal Configuration	Standard
Actuator Style	Top

Configuration Features

Terminals Connected	2-3
Configuration (Pole-Throw)	Double Pole - Single Throw
Number of Actuators	Single
Number of Positions	1
Operating Function	On None Off

Body Features

Actuator Material	Polyester
Actuator Color	Black

Contact Features

Contact Base Material	Copper
Switch Contact Plating Material	Gold

Termination Features

Termination Type	PC
------------------	----



Mechanical Attachment

PCB Mount Retention Type	Extended
Mounting Angle	Vertical
Mounting Type	Through Hole

Dimensions

PCB Tail Length	3.3 mm[.13 in]
Actuator Length	2.79 mm[.1098 in]
Width	9.14 mm[.36 in]
Length	10.16 mm[.4 in]

Identification Marking

Stamped Marking	With
-----------------	------

Industry Standards

UL Flammability Rating	UL 94V-0
------------------------	----------

Product Compliance

[For compliance documentation, visit the product page on TE.com>](#)

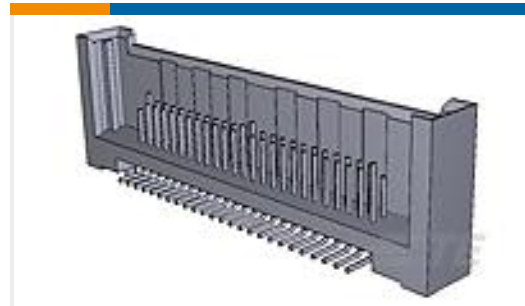
EU RoHS Directive 2011/65/EU	Not Compliant
EU ELV Directive 2000/53/EC	Not Compliant
China RoHS 2 Directive MIIT Order No 32, 2016	Restricted Materials Above Threshold
EU REACH Regulation (EC) No. 1907/2006	Current ECHA Candidate List: JAN 2019 (197) Candidate List Declared Against: JUN 2016 (169)
Halogen Content	Not Yet Reviewed for halogen content
Solder Process Capability	Wave solder capable to 265°C

Product Compliance Disclaimer

This information is provided based on reasonable inquiry of our suppliers and represents our current actual knowledge based on the information they provided. This information is subject to change. The part numbers that TE has identified as EU RoHS compliant have a maximum concentration of 0.1% by weight in homogenous materials for lead, hexavalent chromium, mercury, PBB, PBDE, DBP, BBP, DEHP, DIBP, and 0.01% for cadmium, or qualify for an exemption to these limits as defined in the Annexes of Directive 2011/65/EU (RoHS2). Finished electrical and electronic equipment products will be CE marked as required by Directive 2011/65/EU. Components may not be CE marked. Additionally, the part numbers that TE has identified as EU ELV compliant have a maximum concentration of 0.1% by weight in homogenous materials for lead, hexavalent chromium, and mercury, and 0.01% for cadmium, or qualify for an exemption to these limits as defined in the Annexes of Directive 2000/53/EC (ELV). Regarding the REACH Regulations, TE's information on SVHC in articles for this part number is still based on the European Chemical Agency (ECHA) 'Guidance on requirements for substances in articles' (Version: 2, April 2011), applying the 0.1% weight on weight concentration threshold at the finished product level. TE is aware of the European Court of Justice ruling of September 10th, 2015 also known as O5A (Once An Article Always An Article) stating that, in case of 'complex object', the threshold for a SVHC must be applied to both the product as a whole and simultaneously to each of the articles forming part of its composition. TE has evaluated this ruling

based on the new ECHA "Guidance on requirements for substances in articles" (June 2017, version 4.0) and will be updating its statements accordingly.

Customers Also Bought



TE Part #5788643-1
50 HDR VERT SMT
COMPACTFLASH



TE Part #3-1879071-7
THS50 75R 5%



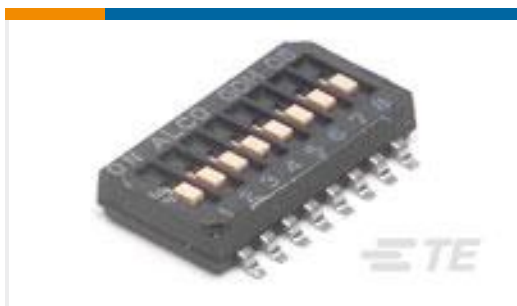
TE Part #353918-1
CT 1.5MM REC CONT
CRIMP TYPE



TE Part #2-1625959-3
HB03RE 500M 1% 100PPM



TE Part #1-1879129-9
RN 0402 1K4 0.1% 10PPM
CUT LEN



TE Part #1-1571983-4
GDH10STR04=DIP
SWITCH



TE Part #1-1825010-7
ASE42GL04=4PDT
AUTOSLIDE



TE Part #5-146284-2
02 MODII HDR SRST B/A .
100CL



TE Part #2176325-5
CRGP 0402 22R 1%



TE Part #2-2176327-1
CRGP 0805 470R 1%

Documents

Product Drawings

TSS21KGPC=SWITCH SLIDE P/C TER

English

X-ON Electronics

Largest Supplier of Electrical and Electronic Components

Click to view similar products for [TE Connectivity](#) manufacturer:

Other Similar products are found below :

[D38999/24FJ4AN](#) [570416-000](#) [CLTEQ-M81CE-SSRELAY-4-20V](#) [4-1195131-0](#) [650069-000](#) [SMD100-2](#) [2029299-1](#) [358838-000](#) [CB-1022B-78](#) [RM707012](#) [RP410012](#) [MMS42](#) [1-640426-8](#) [2EDL4CM](#) [DTS20W19-11PD-3028-LC](#) [RM202615](#) [NC6-P104-06](#) [MSPS103B](#)
[DTS26F21-41HE-LC](#) [DTS26F21-41AE](#) [DTS26F21-41PE-LC](#) [DTS26F21-11SE-3028-LC](#) [30DCB6](#) [1932144-1](#) [293545-4](#) [LVR125S](#)
[MS27466T25F4PB](#) [CKB-38-78010](#) [TR04AI-TINELLOCKRING](#) [1206SFF150F/63-2](#) [D38999/20JB35HA](#) [TE1500A2R2J](#) [DTS24F25-29PC-3028-LC](#) [D38999/20WC8BB](#) [DTS24F19-11SC-3028-LC](#) [D38999/24WG11HA](#) [D38999/24WG11HN](#) [MS27467T21F11H](#) [DJT16E21-11HA](#)
[MS27467T21F35J](#) [MS27467T21F11J](#) [MS27467T21F16H-LC](#) [MS27467T21F35H](#) [MS27467T21F41H-LC](#) [1206SFH150F/24-2](#) [RP330024](#)
[DJT16E21-11PA-LC](#) [DJT16E21-11HA-LC](#) [DJT16E21-11AA](#) [MS27467T21B11JA](#)