



Relays, Contactors & Switches > Switches > Toggle Switches



Configuration (Pole-Throw): **Single Pole - Double Throw**

Contact Base Material: **Brass**

Switch Contact Plating Material: **Gold over Nickel**

Process Sealed: **Yes**

Seal Type: **Internal Actuator O-Ring**

Features

Product Type Features

Product Type	Switch
Toggle Style	Baton Short
Switch Type	Toggle
Toggle Actuation	Vertical

Configuration Features

Configuration (Pole-Throw)	Single Pole - Double Throw
Operating Function	On None On

Electrical Characteristics

Dielectric Strength	1000 VAC
Insulation Resistance	1000 MΩ

Body Features

Seal Type	Internal Actuator O-Ring
Bushing Style	Unthreaded

Contact Features

Contact Base Material	Brass
Switch Contact Plating Material	Gold over Nickel

Termination Features

Termination Type	Vertical
------------------	----------

Mechanical Attachment

Mounting Type	Through Hole
---------------	--------------

Housing Features

Process Sealed	Yes
----------------	-----

Dimensions

Toggle Length	5.23 mm [.206 in]
---------------	-------------------

Product Compliance

[For compliance documentation, visit the product page on TE.com>](#)

EU RoHS Directive 2011/65/EU	Compliant with Exemptions
EU ELV Directive 2000/53/EC	Compliant with Exemptions
China RoHS 2 Directive MIIT Order No 32, 2016	Restricted Materials Above Threshold
EU REACH Regulation (EC) No. 1907/2006	Current ECHA Candidate List: JAN 2019 (197) Candidate List Declared Against: JUN 2016 (169)
Halogen Content	Not Yet Reviewed for halogen content
Solder Process Capability	Wave solder capable to 265°C

Product Compliance Disclaimer

This information is provided based on reasonable inquiry of our suppliers and represents our current actual knowledge based on the information they provided. This information is subject to change. The part numbers that TE has identified as EU RoHS compliant have a maximum concentration of 0.1% by weight in homogenous materials for lead, hexavalent chromium, mercury, PBB, PBDE, DBP, BBP, DEHP, DIBP, and 0.01% for cadmium, or qualify for an exemption to these limits as defined in the Annexes of Directive 2011/65/EU (RoHS2). Finished electrical and electronic equipment products will be CE marked as required by Directive 2011/65/EU. Components may not be CE marked. Additionally, the part numbers that TE has identified as EU ELV compliant have a maximum concentration of 0.1% by weight in homogenous materials for lead, hexavalent chromium, and mercury, and 0.01% for cadmium, or qualify for an exemption to these limits as defined in the Annexes of Directive 2000/53/EC (ELV). Regarding the REACH Regulations, TE's information on SVHC in articles for this part number is still based on the European Chemical Agency (ECHA) 'Guidance on requirements for substances in articles' (Version: 2, April 2011), applying the 0.1% weight on weight concentration threshold at the finished product level. TE is aware of the European Court of Justice ruling of September 10th, 2015 also known as O5A (Once An Article Always An Article) stating that, in case of 'complex object', the threshold for a SVHC must be applied to both the product as a whole and simultaneously to each of the articles forming part of its composition. TE has evaluated this ruling based on the new ECHA "Guidance on requirements for substances in articles" (June 2017, version 4.0) and will be updating its statements accordingly.

Also in the Series | [Alcoswitch TST](#)



Toggle Switches(7)

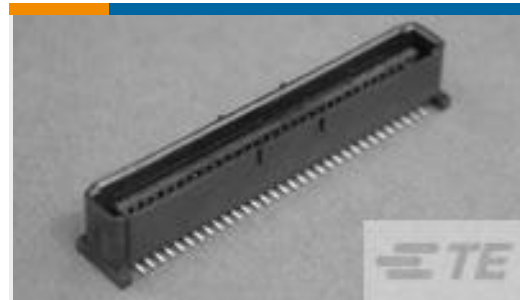
Customers Also Bought



TE Part #3-1445053-2
MICRO MNL HDR ASSY S
/ROW LF



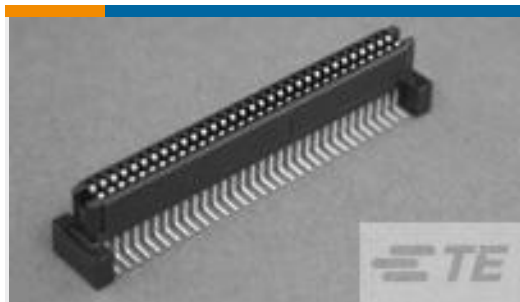
TE Part #4-1614894-2
CPF 0805 475K 0.1%
25PPM 1K RL



TE Part #1-5120525-1
1FHP,64,50A/S,S,N,S08



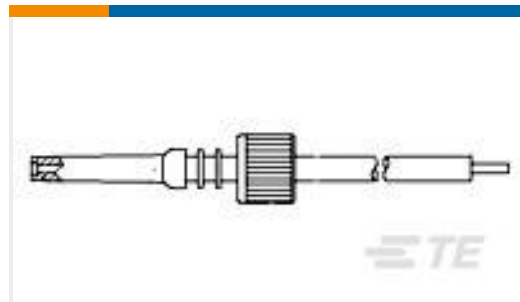
TE Part #1-5120527-2
1FHP,84,50A/S,S,N,S10,
12,13,15



TE Part #1-5120603-2
1FHR,84,50A/S,S,N,S11,12



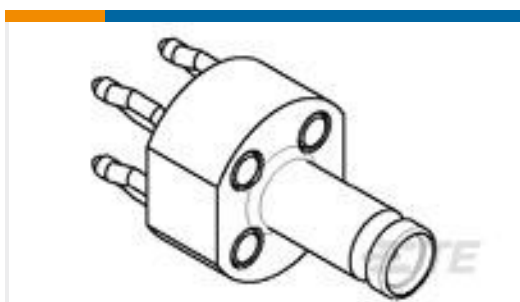
TE Part #104351-3
06 MODII HDR DRST B/A
W/HD



TE Part #5-867963-2
SGL END POS STOP LEAD



TE Part #5225973-1
PLUG, RT ANGLE, DUAL
CRIMP,BNC



TE Part #6274431-1
VERTICAL ACTION PIN
JACK

Documents

Product Drawings

TST11DGPC1D04

English

Datasheets & Catalog Pages

SWITCHES_CORE_PROGRAM_CATALOG

English

X-ON Electronics

Largest Supplier of Electrical and Electronic Components

Click to view similar products for [TE Connectivity](#) manufacturer:

Other Similar products are found below :

[D38999/24FJ4AN](#) [570416-000](#) [CLTEQ-M81CE-SSRELAY-4-20V](#) [4-1195131-0](#) [650069-000](#) [SMD100-2](#) [2029299-1](#) [358838-000](#) [CB-1022B-78](#) [RM707012](#) [RP410012](#) [MMS42](#) [1-640426-8](#) [2EDL4CM](#) [DTS20W19-11PD-3028-LC](#) [RM202615](#) [NC6-P104-06](#) [MSPS103B](#) [DTS26F21-41HE-LC](#) [DTS26F21-41AE](#) [DTS26F21-41PE-LC](#) [DTS26F21-11SE-3028-LC](#) [30DCB6](#) [1932144-1](#) [293545-4](#) [LVR125S](#) [MS27466T25F4PB](#) [CKB-38-78010](#) [TR04AI-TINELLOCKRING](#) [1206SFF150F/63-2](#) [D38999/20JB35HA](#) [TE1500A2R2J](#) [DTS24F25-29PC-3028-LC](#) [D38999/20WC8BB](#) [DTS24F19-11SC-3028-LC](#) [D38999/24WG11HA](#) [D38999/24WG11HN](#) [MS27467T21F11H](#) [DJT16E21-11HA](#) [MS27467T21F35J](#) [MS27467T21F11J](#) [MS27467T21F16H-LC](#) [MS27467T21F35H](#) [MS27467T21F41H-LC](#) [1206SFH150F/24-2](#) [RP330024](#) [DJT16E21-11PA-LC](#) [DJT16E21-11HA-LC](#) [DJT16E21-11AA](#) [MS27467T21B11JA](#)