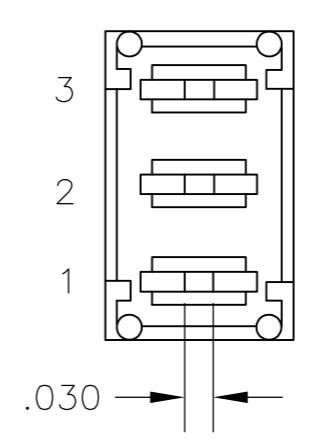
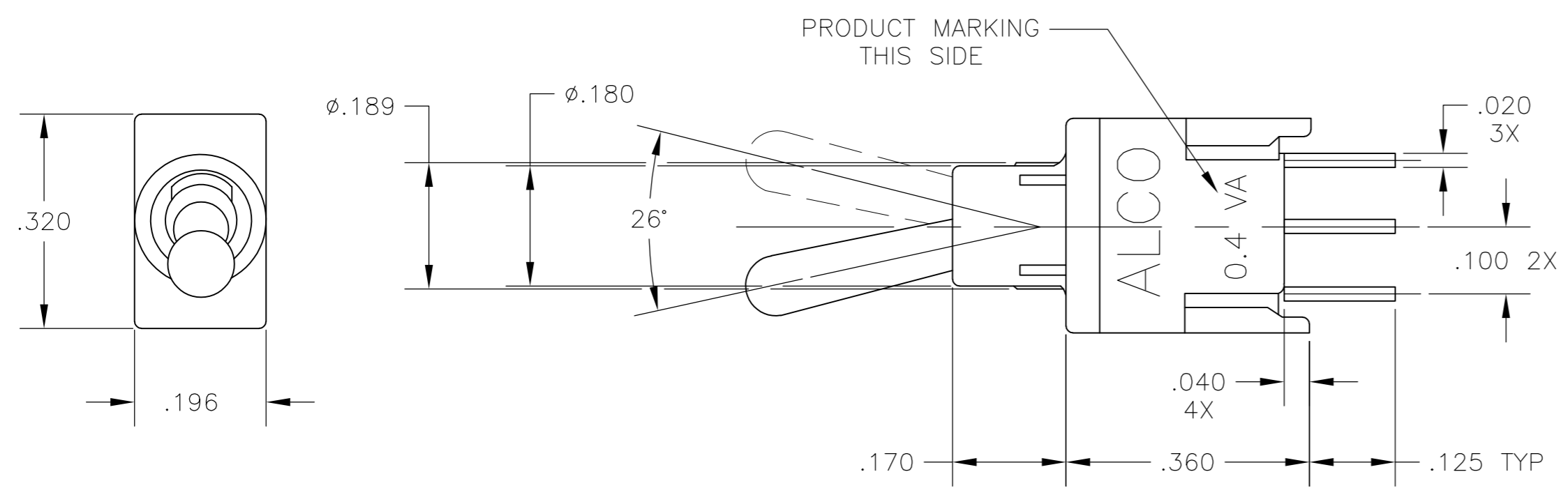


THIS DRAWING IS UNPUBLISHED. RELEASED FOR PUBLICATION
 © COPYRIGHT - By - ALL RIGHTS RESERVED.

LOC		DIST		REVISIONS			
P	LTR	DESCRIPTION	DATE	DWN	APVD		
B2		REVISED PER ECO-11-004917	11MAR11	RK	HMR		



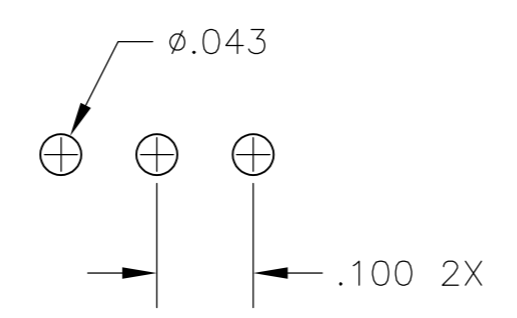
SPECIFICATIONS:

MATERIALS:
 CASE: HIGH TEMPERATURE POLYESTER
 ACTUATOR: NICKEL PLATED COPPER ALLOY
 MOVABLE CONTACT: GOLD OVER NICKEL OVER COPPER ALLOY
 STATIONARY CONTACT: GOLD OVER NICKEL OVER COPPER ALLOY
 TERMINALS: TIN LEAD OVER COPPER ALLOY
 ACUATOR SEAL: O-RING

ELECTRICAL:
 CONTACT RATING: 0.4 VA@ 20 VDC OR PEAK AC
 INITIAL CONTACT RESISTANCE: 20 MILLIOHMS MAX.
 INSULATION RESISTANCE: 1,000 MEGOHMS AT 500 VDC MIN.
 DIELECTRIC STRENGTH: 1,000 VOLTS RMS AT SEA LEVEL
 LIFE EXPECTANCY: 2 POSITION: 80,000 CYCLES
 3 POSITION: 60,000 CYCLES
 MOMENTARY: 30,000 CYCLES

ENVIRONMENTAL:
 OPERATING TEMPERATURE: -22°F TO +185°F (-30°C TO +85°C)
 STORAGE TEMPERATURE: -67°F TO +185°F (-55°C TO +85°C)

PC MOUNT



PC HOLE PATTERN
 TOLERANCES FOR ALL PCB LAYOUT
 DIMENSIONS TO BE ±.002

NOTES

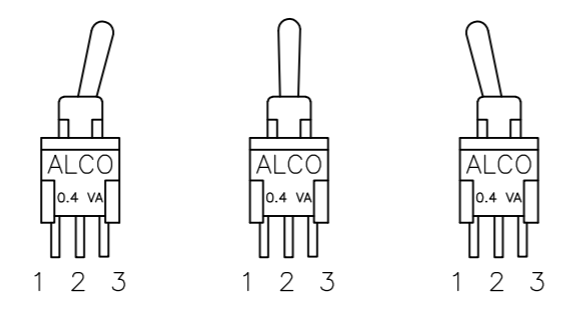
- INTERPRET DRAWING PER ASME Y14.5M-1994.

PART NUMBERING SEQUENCE

MODEL	NO OF POLES	CONTACT RATING	FUNCTION	CONTAC PLATING	TERMINATORS	ACTUATOR	BUSHING (PLAIN)	TAPE & REEL PKGNG.
TST	1	1	<ul style="list-style-type: none"> D ON NONE ON E ON OFF ON F ON NONE (ON) G (ON) OFF (ON) H ON OFF (ON) 	G	<ul style="list-style-type: none"> PC P.C. PCV P.C. WITH BRACKET RA RIGHT ANGLE VRA VERTICAL RIGHT ANGLE 	<ul style="list-style-type: none"> 1 .206" 2 .250" 4 .400" 	D	TR

FUNCTION CHART

THE FOLLOWING FUNCTIONS AVAILABLE IN SINGLE POLE.



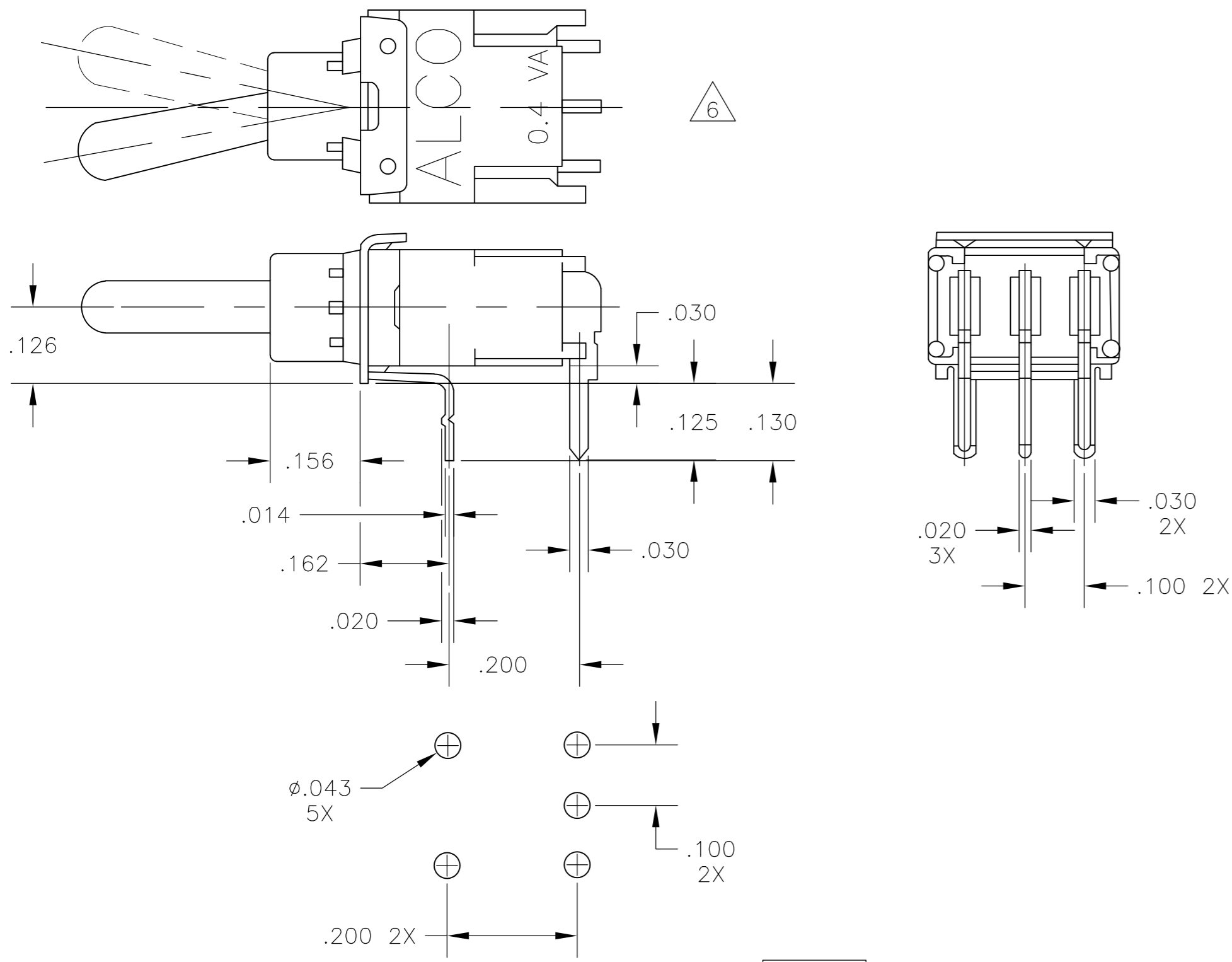
NONE	INDICATES NO MECH-ANICAL POSITION.	D	2 POSITIONS	ON	NONE	ON
OFF	INDICATES A MECH-ANICAL POSITION WITH NO ELECTRICAL CONNECTION.	E	3 POSITIONS	ON	OFF	ON
(ON)	INDICATES MOMENTARY ACTION.	F	2 POSITIONS	ON	NONE	(ON)
		G	3 POSITIONS	(ON)	OFF	(ON)
		H	3 POSITIONS	ON	OFF	(ON)

TERMINALS CONNECTED: 1-2 - 2-3

THIS DRAWING IS A CONTROLLED DOCUMENT.		DWN	11JUL90	STE TE Connectivity
		CHK	20DEC90	
DIMENSIONS: INCHES		APVD	20DEC90	NAME
TOLERANCES UNLESS OTHERWISE SPECIFIED:		PRODUCT SPEC		
0 PLC ± -		APPLICATION SPEC		SIZE
1 PLC ± -				
2 PLC ± -				CAGE CODE
3 PLC ± .010				
4 PLC ± -				DRAWING NO
ANGLES ± 3'				
MATERIAL	FINISH	WEIGHT	-	RESTRICTED TO
SEE SPECIFICATIONS	SEE SPECIFICATIONS			
CUSTOMER DRAWING		SCALE	5:1	SHEET
				1 of 3
				REV B2

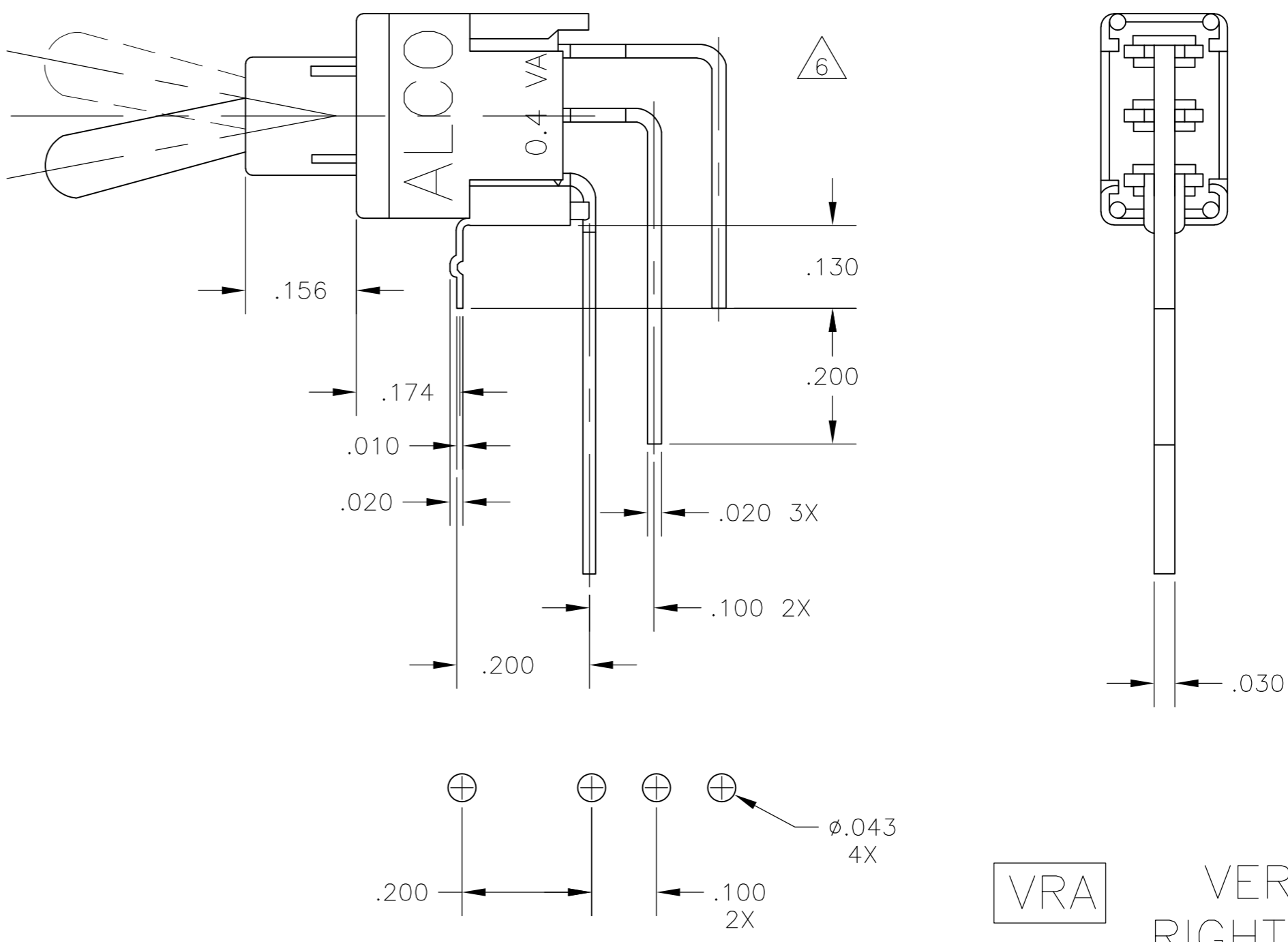
THIS DRAWING IS UNPUBLISHED. RELEASED FOR PUBLICATION
 © COPYRIGHT - By - ALL RIGHTS RESERVED.

LOC		DIST		REVISIONS			
P	LTR	DESCRIPTION	DATE	DWN	APVD		
AD	00						
SEE SHEET 1							



RA RIGHT ANGLE

TOLERANCES FOR ALL PCB LAYOUT DIMENSIONS TO BE ±.002



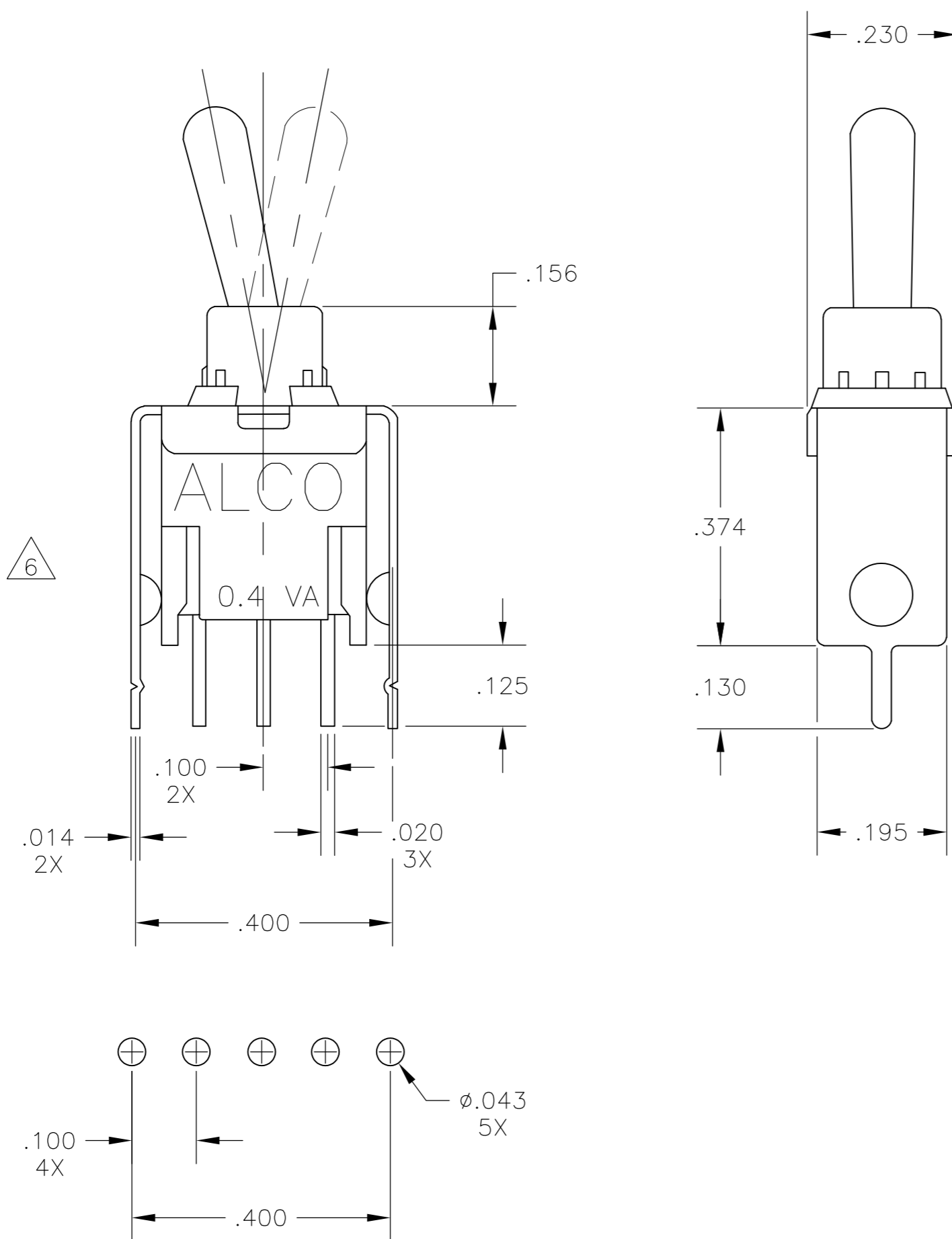
VRA VERTICAL RIGHT ANGLE

TOLERANCES FOR ALL PCB LAYOUT DIMENSIONS TO BE ±.002

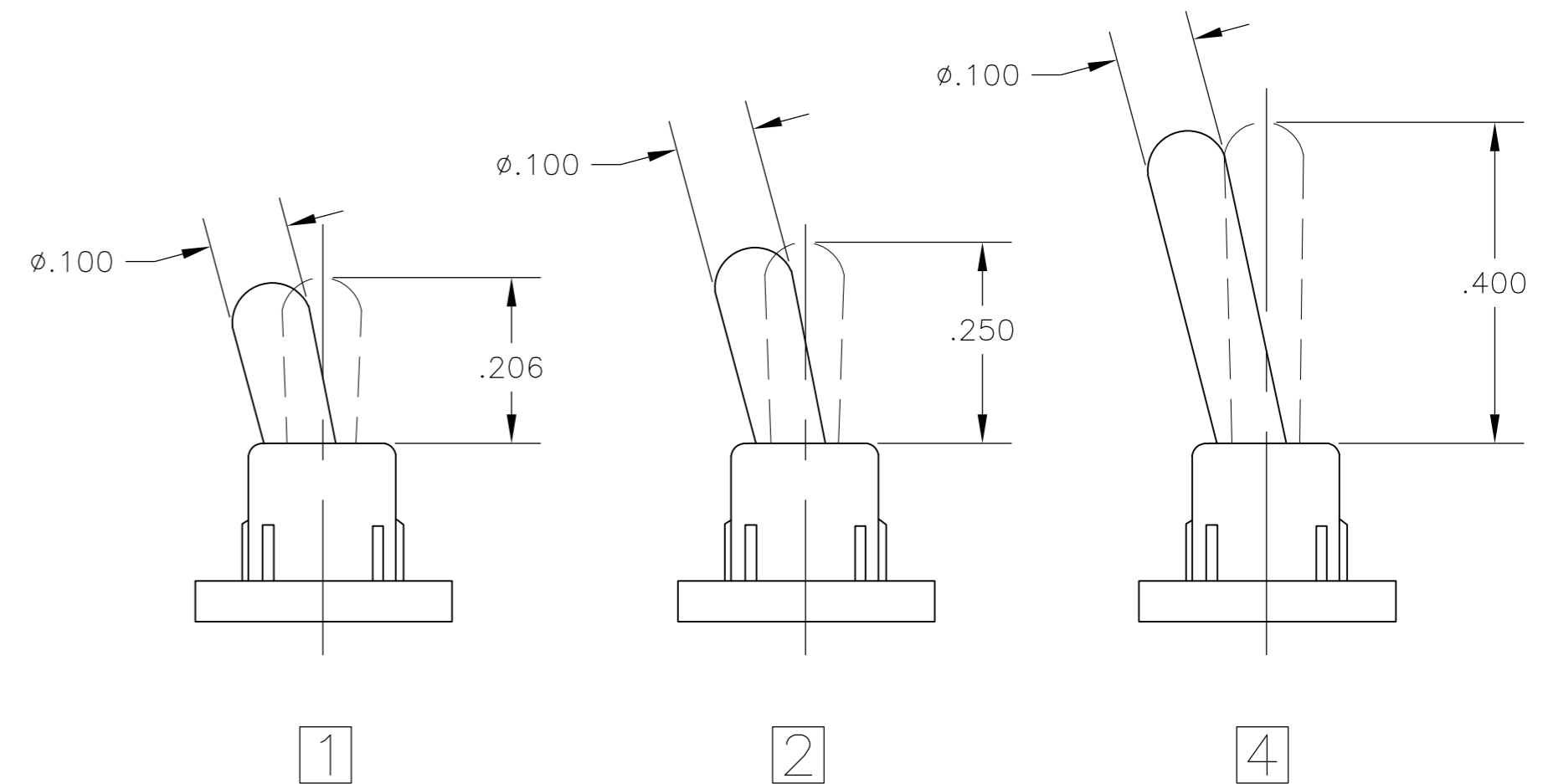
THIS DRAWING IS A CONTROLLED DOCUMENT.		DWN	11JUL90	STE TE Connectivity	
		CHK	20DEC90		
DIMENSIONS: INCHES		TOLERANCES UNLESS OTHERWISE SPECIFIED:		NAME	
		0 PLC	± -	OUTLINE DRAWING	
		1 PLC	± -	SEALED TOGGLE SWITCH.	
		2 PLC	± -	SINGLE POLE. TST SERIES	
		3 PLC	± .010		
		4 PLC	± -	SIZE	CAGE CODE
		ANGLES	± 3°	A2	00779
MATERIAL SEE SPECIFICATIONS		FINISH	SEE SPECIFICATIONS	DRAWING NO	
				C=1-1437564-1	
		WEIGHT	-	SCALE	SHEET
				5:1	2 of 3
		CUSTOMER DRAWING		REV	B2

THIS DRAWING IS UNPUBLISHED. RELEASED FOR PUBLICATION
 © COPYRIGHT - By - ALL RIGHTS RESERVED.

LOC		DIST		REVISIONS			
P	LTR	DESCRIPTION	DATE	DWN	APVD		
AD	00						
SEE SHEET 1							



ACTUATORS



3-1437564-9	TST11HGSRA2D	OBSOLETE
3-1437564-8	TST11HGSA2D	OBSOLETE
3-1437564-7	TST11GGSRA4D	OBSOLETE
3-1437564-6	TST11GGSRA1D	OBSOLETE
3-1437564-5	TST11GGRA1D	OBSOLETE
3-1437564-4	TST11GGPC4D	OBSOLETE
3-1437564-3	TST11GGPC1D	OBSOLETE
3-1437564-2	TST11FGVRA1D	OBSOLETE
3-1437564-1	TST11FGSRA1D	OBSOLETE
3-1437564-0	TST11FGSPC1D	OBSOLETE
2-1437564-9	TST11FGRA1D	OBSOLETE
2-1437564-8	TST11FGPCV1D	OBSOLETE
2-1437564-7	TST11FGPC1D	OBSOLETE
2-1437564-6	TST11EGVRA1D	OBSOLETE
2-1437564-5	TST11EGSRA2D	OBSOLETE
2-1437564-4	TST11EGSRA1D	OBSOLETE
2-1437564-3	TST11EGRA1D	OBSOLETE
2-1437564-2	TST11EGPCV4D	OBSOLETE
2-1437564-1	TST11EGPCV1D	OBSOLETE
2-1437564-0	TST11EGPC1D	OBSOLETE
1-1437564-9	TST11DGWW1D	OBSOLETE
1-1437564-8	TST11DGVRA2D	OBSOLETE
1-1437564-7	TST11DGVRA1D	
1-1437564-6	TST11DGSRA1D	OBSOLETE
1-1437564-5	TST11DGSRA1D	OBSOLETE
1-1437564-4	TST11DGSPC1D	OBSOLETE
1-1437564-3	TST11DGRA2D	OBSOLETE
1-1437564-1	TST11DGRA1D	
1-1437564-0	TST11DGPCV1D	
1437564-9	TST11DGPC4D	OBSOLETE
1437564-7	TST11DGPC1D	
P/N	ALCO P/N	

TOLERANCES FOR ALL PCB LAYOUT DIMENSIONS TO BE ±.002

PCV

PC WITH VERTICAL SUPPORT BRACKET

THIS DRAWING IS A CONTROLLED DOCUMENT.		DWN	11JUL90		
DIMENSIONS: INCHES		CHK	20DEC90		
TOLERANCES UNLESS OTHERWISE SPECIFIED:		APVD	20DEC90	NAME	
0 PLC ± -		PRODUCT SPEC		OUTLINE DRAWING	
1 PLC ± -		APPLICATION SPEC		SEALED TOGGLE SWITCH.	
2 PLC ± -		WEIGHT	-	SINGLE POLE. TST SERIES	
3 PLC ± .010		SCALE	A2	RESTRICTED TO	
4 PLC ± -		CUSTOMER DRAWING	00779	DRAWING NO	
ANGLES ± 3°		SCALE	5:1	SHEET 3 OF 3	
MATERIAL SEE SPECIFICATIONS		FINISH SEE SPECIFICATIONS		REV B2	

X-ON Electronics

Largest Supplier of Electrical and Electronic Components

Click to view similar products for [Toggle Switches](#) category:

Click to view products by [TE Connectivity](#) manufacturer:

Other Similar products are found below :

[8928K478](#) [8A1-C-222](#) [020017-13](#) [60012L](#) [6006L](#) [CS115W](#) [CS120W](#) [6663](#) [7101SPDV30BE](#) [7103SDV30BE](#) [7105D](#) [7108P3YAV2BE](#)
[71YY50282](#) [7300K36](#) [7301K38](#) [7306K36](#) [7310K36](#) [7506K4](#) [7592K6](#) [7660K12](#) [7691K14](#) [7700K1](#) [8391K108](#) [8396K108](#) [8811K17](#)
[8812K14](#) [8824K14](#) [8828K13](#) [8835K3](#) [8858K44](#) [PS83-121G](#) [1-1825192-0](#) [A201SCWZB04](#) [A207SYCB04](#) [A208J61ZQ0004](#) [A221T1TCQ](#)
[A323S1CWZQ](#) [A423S1CWZG-M8](#) [1201W](#) [12156AX408](#) [12147AGKX679](#) [12246X778](#) [12TW49-3D](#) [130312](#) [13037L](#) [13001X](#)
[AE101MD1W4B04](#) [AE208SD1W4B04](#) [MS24659-22D](#) [MS27407-5](#)