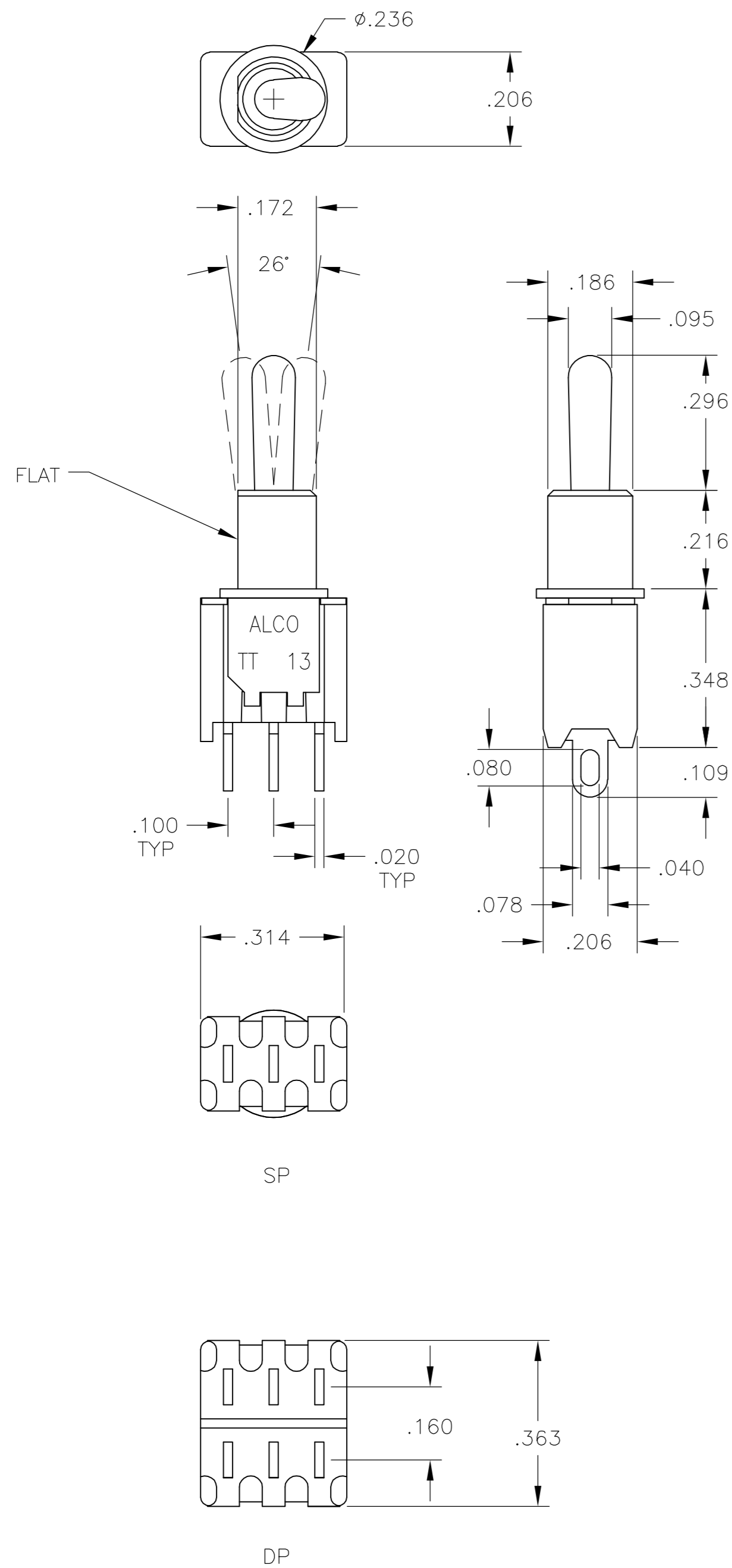


THIS DRAWING IS UNPUBLISHED. RELEASED FOR PUBLICATION
 © COPYRIGHT BY TYCO ELECTRONICS CORPORATION. ALL RIGHTS RESERVED.

LOC	DIST	REVISIONS			
P	LTR	DESCRIPTION	DATE	DWN	APVD
AD	00	D	0G3C-0194-05	26MAR2007	RB MZ



NOTES:

- MATERIALS:**
 CASE AND ACTUATOR: THERMOPLASTIC, UL94-V0.
 FRAME: STEEL, TIN PLATED
 BUSHING AND ACTUATOR LEVER: BRASS, NICKEL PLATED
 ROCKER CONTACTS: SILVER/BRASS, LAMINATE
 PLUNGER: STAINLESS STEEL, PASSIVATED
 SPRING: MUSICAL WIRE
 TERMINALS: SILVER/BRASS, LAMINATE, SILVER PLATED
 TERMINAL SEAL: SP EPOXY
 DP EPOXY OPTIONAL
- ELECTRICAL:**
 CONTACT RATING: 3A@125VAC OR 28VDC (2 POSITION)
 2A@125VAC (3 POSITION)
 INITIAL CONTACT RESISTANCE: 20 MILLIOHMS MAX
 INSULATION RESISTANCE: 1,000 MEGOHMS AT 500 VDC MIN.
 DIELECTRIC STRENGTH: 1,000 VOLTS RMS AT SEA LEVEL
 LIFE EXPECTANCY: 80,000 CYCLES (2 POSITION)
 60,000 CYCLES (3 POSITION).
- ENVIRONMENTAL:**
 OPERATING TEMPERATURE: -22°F TO $+185^\circ\text{F}$ (-30°C TO $+85^\circ\text{C}$)
 STORAGE TEMPERATURE: -67°F TO $+185^\circ\text{F}$ (-55°C TO $+85^\circ\text{C}$)
- TT13A2T HAS TERMINALS 1 & 3 ONLY
 TT23K2T HAS TERMINALS 1, 3, 4 & 6
 HARDWARE INCLUDED: 1 HEX NUT AND 1 LOCKWASHER

TYCO PART NUMBER	MODEL NUMBER	TERMINALS CONNECTED WHEN TOGGLE IN POSITIONS SHOWN.	DESIGNATION NUMBERS ARE FOR REFERENCE ONLY AND DO NOT APPEAR ON THE SWITCHES.
5-1437562-7	TT23P2T	2 TO 1, 5 TO 4	OFF
5-1437562-1	TT23N2T	2 TO 1, 5 TO 4	NONE
4-1437562-7	TT23K2T	3 TO 1, 6 TO 4	NONE
9-1437561-5	TT13E2T	2 TO 1	OFF
8-1437561-5	TT13D2T	2 TO 1	NONE
7-1437561-8	TT12A2T	3 TO 1	NONE

THIS DRAWING IS A CONTROLLED DOCUMENT.		DWN M.BINNER 17OCT2001	tyco Tyco Electronics Corporation Harrisburg, Pa 17111	
DIMENSIONS: INCHES	TOLERANCES UNLESS OTHERWISE SPECIFIED:	CHK M.ZITTO 22OCT01	APVD M.ZITTO 22OCT01	NAME SWITCH, TOGGLE TT13*2T & TT23*2T
MATERIAL SEE TABLE	FINISH -	PRODUCT SPEC -	APPLICATION SPEC -	SIZE A2
		WEIGHT -	CAGE CODE 00779	DRAWING NO 7-1437561-8
		CUSTOMER DRAWING	SCALE 8:1	RESTRICTED TO -
		SHEET 1 OF 1		REV D

X-ON Electronics

Largest Supplier of Electrical and Electronic Components

Click to view similar products for [Toggle Switches](#) category:

Click to view products by [TE Connectivity](#) manufacturer:

Other Similar products are found below :

[8928K478](#) [020017-13](#) [60012L](#) [6006L](#) [CS115W](#) [CS120W](#) [6663](#) [7101SPDV30BE](#) [7103SDV30BE](#) [7105D](#) [7108P3YAV2BE](#) [71YY50282](#)
[7300K36](#) [7301K38](#) [7306K36](#) [7310K36](#) [7506K4](#) [7592K6](#) [7660K12](#) [7691K14](#) [7700K1](#) [8391K108](#) [8396K108](#) [8811K17](#) [8824K14](#) [8828K13](#)
[8835K3](#) [8858K44](#) [PS83-121G](#) [1-1825192-0](#) [A201SCWZB04](#) [A207SYCB04](#) [A208J61ZQ0004](#) [A221T1TCQ](#) [A323S1CWZQ](#)
[A423S1CWZG-M8](#) [1201W](#) [12156AX408](#) [12147AGKX679](#) [12246X778](#) [12TW49-3D](#) [130312](#) [13037L](#) [13001X](#) [AE101MD1W4B04](#)
[AE208SD1W4B04](#) [MS24659-22D](#) [MS27407-5](#) [1520230-9](#) [1520231-1](#)