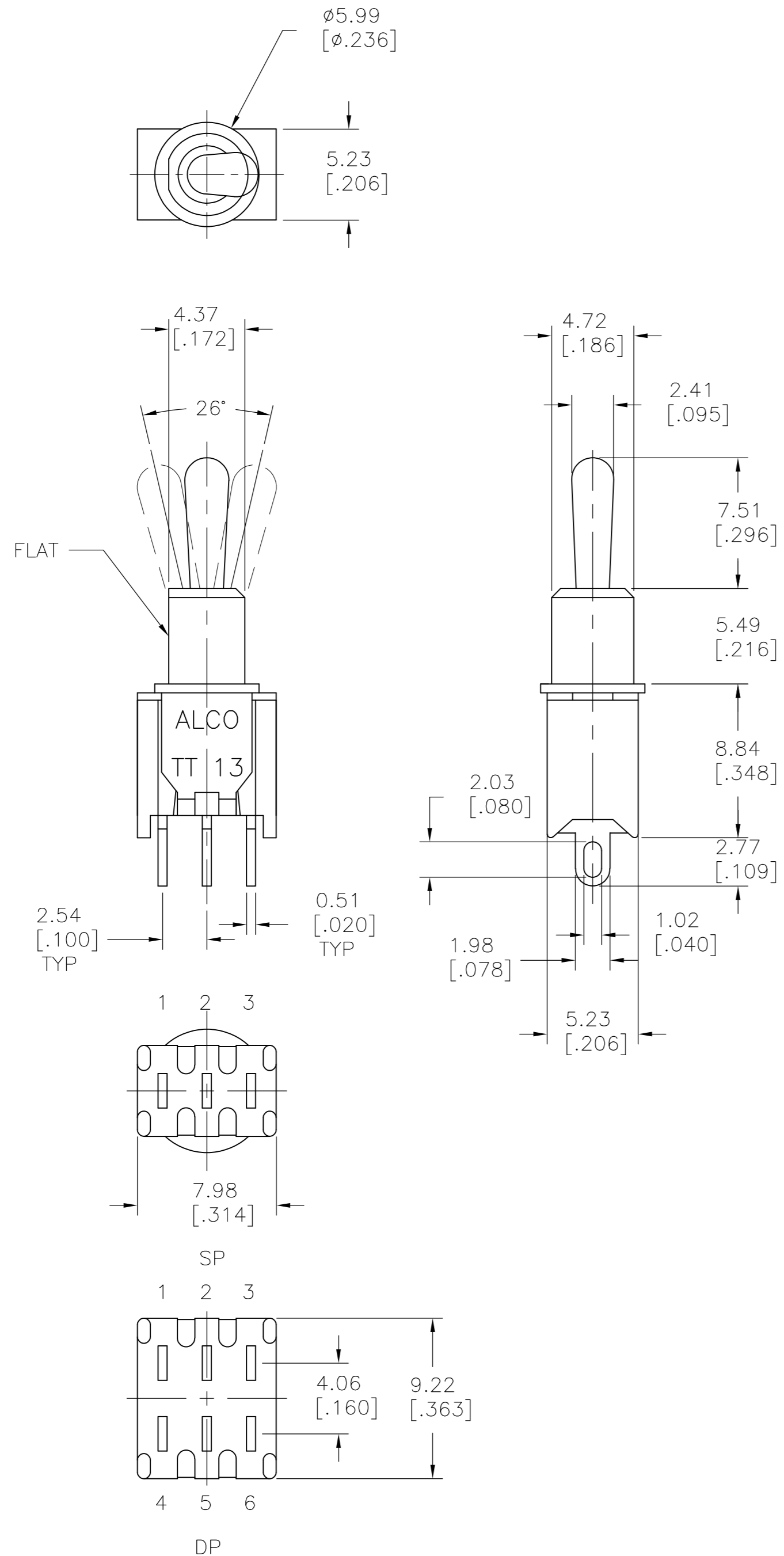


THIS DRAWING IS UNPUBLISHED. RELEASED FOR PUBLICATION  
 © COPYRIGHT - By - ALL RIGHTS RESERVED.

LOC		DIST		REVISIONS			
P	LTR	DESCRIPTION		DATE	DWN	APVD	
	B	REVISED PER ECO-15-004048		17MAR2015	NK	RH	



TERMINALS CONNECTED WHEN TOGGLE IN POSITIONS SHOWN.				
PART NO	SWITCH ACTION CODE (*)	FLAT	FLAT	FLAT
1825222-2	TT13A2T04	3 TO 1	NONE	OFF
1825222-3	TT13D2T04	2 TO 1	NONE	2 TO 3
1825222-4	TT13E2T04	2 TO 1	OFF	2 TO 3
<sup>5</sup> 1825222-6	TT23K2T04	3 TO 1 6 TO 4	NONE	OFF
1825222-7	TT23N2T04	2 TO 1 5 TO 4	NONE	2 TO 3 5 TO 6

TERMINAL DESIGNATION NUMBERS ARE FOR REFERENCE ONLY, AND DO NOT APPEAR ON SWITCHES.

SPECIFICATION:

- MATERIALS:**  
 CASE AND ACTUATOR: THERMOPLASTIC, UL94-V0.  
 FRAME: STEEL, TIN PLATED.  
 BUSHING AND ACTUATOR LEVER: BRASS, NICKEL PLATED  
 ROCKER CONTACT: SILVER/BRASS, LAMINATED.  
 PLUNGER: STAINLESS STEEL, PASSIVATED  
 SPRING: MUSICAL WIRE.  
 TERMINALS: SILVER/BRASS, LAMINATED, SILVER PLATED.  
 TERMINAL SEAL: SP EPOXY  
 DP EPOXY OPTIONAL
- ELECTRICAL:**  
 CURRENT RATING: 3A @ 125V AC OR 28V DC (2 POSITION)  
 2A @ 125V AC (3 POSITION)  
 INITIAL CONTACT RESISTANCE: 20 MLLIOHMS MAX  
 INSULATION RESISTANCE: 1,000 MEGAOHMS AT 500V DC MIN  
 DIELECTRIC STRENGTH: 1,000 VOLTS RMS AT SEA LEVEL  
 LIFE EXPECTANCY: 80,000 CYCLES (2 POSITION)  
 60,000 CYCLES (3 POSITION)
- ENVIRONMENTAL:**  
 OPERATING TEMPERATURE: -22°F TO +185°F (-30°C TO +85°C)  
 STORAGE TEMPERATURE: -67°F TO +185°F (-55°C TO +85°C)
- TT13A2T04 HAS TERMINALS 1, 3, 4 & 6  
 HARDWARE INCLUDED: 1 HEX NUT AND 1 LOCKWASHER.

<sup>5</sup> OBSOLETE.

THIS DRAWING IS A CONTROLLED DOCUMENT.		DWN RAGHAVENDRA 26AUG10	TE Connectivity	
DIMENSIONS: mm [INCHES]		CHK EPPLEY NAZ 26AUG10		
TOLERANCES UNLESS OTHERWISE SPECIFIED:		APVD EPPLEY NAZ 26AUG10	NAME	
0 PLC ± - 1 PLC ± - 2 PLC ± - 3 PLC ± - 4 PLC ± - ANGLES ± -		PRODUCT SPEC	SWITCH, TINY TOGGLE SERIES, 1 & 2 POLE	
MATERIAL		FINISH	SIZE A2	CAGE CODE 00779
		WEIGHT	DRAWING NO C=1825222-2	RESTRICTED TO
		CUSTOMER DRAWING	SCALE 4:1	SHEET 1 OF 1
			REV B	

## X-ON Electronics

Largest Supplier of Electrical and Electronic Components

*Click to view similar products for [Toggle Switches](#) category:*

*Click to view products by [TE Connectivity](#) manufacturer:*

Other Similar products are found below :

[8928K478](#) [8A1-C-222](#) [020017-13](#) [60012L](#) [6006L](#) [CS115W](#) [CS120W](#) [6663](#) [7101SPDV30BE](#) [7103SDV30BE](#) [7105D](#) [7108P3YAV2BE](#)  
[71YY50282](#) [7300K36](#) [7301K38](#) [7306K36](#) [7310K36](#) [7506K4](#) [7592K6](#) [7660K12](#) [7691K14](#) [8391K108](#) [8396K108](#) [8812K14](#) [8824K14](#)  
[8828K13](#) [8835K3](#) [8858K44](#) [PS83-121G](#) [1-1825192-0](#) [A201SCWZB04](#) [A207SYCB04](#) [A208J61ZQ0004](#) [A221T1TCQ](#) [A323S1CWZQ](#)  
[A423S1CWZG-M8](#) [1201W](#) [12156AX408](#) [12147AGKX679](#) [12246X778](#) [12TW49-3D](#) [130312](#) [13037L](#) [13001X](#) [AE101MD1W4B04](#)  
[AE208SD1W4B04](#) [MS24659-22D](#) [MS27407-5](#) [1520230-9](#) [1520231-1](#)