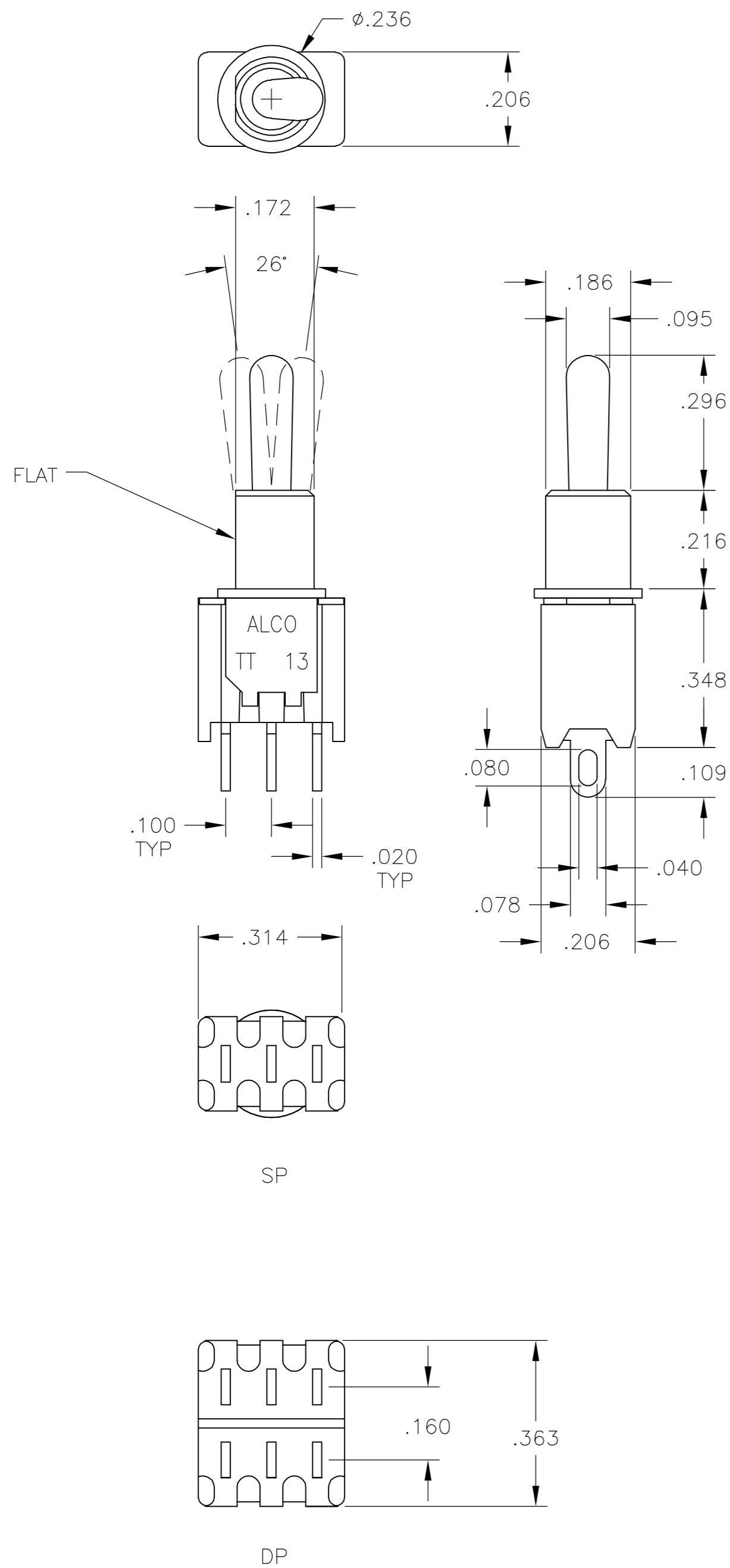


THIS DRAWING IS UNPUBLISHED. RELEASED FOR PUBLICATION
 © COPYRIGHT BY TYCO ELECTRONICS CORPORATION. ALL RIGHTS RESERVED.

LOC		DIST		REVISIONS			
P	LTR	DESCRIPTION		DATE	DWN	APVD	
D		0G3C-0194-05		26MAR2007	RB	MZ	



NOTES:

- MATERIALS:**
 CASE AND ACTUATOR: THERMOPLASTIC, UL94-VO.
 FRAME: STEEL, TIN PLATED
 BUSHING AND ACTUATOR LEVER: BRASS, NICKEL PLATED
 ROCKER CONTACTS: SILVER/BRASS, LAMINATE
 PLUNGER: STAINLESS STEEL, PASSIVATED
 SPRING: MUSICAL WIRE
 TERMINALS: SILVER/BRASS, LAMINATE, SILVER PLATED
 TERMINAL SEAL: SP EPOXY
 DP EPOXY OPTIONAL
- ELECTRICAL:**
 CONTACT RATING: 3A@125VAC OR 28VDC (2 POSITION)
 2A@125VAC (3 POSITION)
 INITIAL CONTACT RESISTANCE: 20 MILLIOHMS MAX
 INSULATION RESISTANCE: 1,000 MEGOHMS AT 500 VDC MIN.
 DIELECTRIC STRENGTH: 1,000 VOLTS RMS AT SEA LEVEL
 LIFE EXPECTANCY: 80,000 CYCLES (2 POSITION)
 60,000 CYCLES (3 POSITION).
- ENVIRONMENTAL:**
 OPERATING TEMPERATURE: -22°F TO $+185^\circ\text{F}$ (-30°C TO $+85^\circ\text{C}$)
 STORAGE TEMPERATURE: -67°F TO $+185^\circ\text{F}$ (-55°C TO $+85^\circ\text{C}$)
- TT13A2T HAS TERMINALS 1 & 3 ONLY
 TT23K2T HAS TERMINALS 1, 3, 4 & 6
 HARDWARE INCLUDED: 1 HEX NUT AND 1 LOCKWASHER

5-1437562-7	TT23P2T	2 TO 1, 5 TO 4	OFF	2 TO 3, 5 TO 6
5-1437562-1	TT23N2T	2 TO 1, 5 TO 4	NONE	2 TO 3, 5 TO 6
4-1437562-7	TT23K2T	3 TO 1, 6 TO 4	NONE	OFF
9-1437561-5	TT13E2T	2 TO 1	OFF	2 TO 3
8-1437561-5	TT13D2T	2 TO 1	NONE	2 TO 3
7-1437561-8	TT12A2T	3 TO 1	NONE	OFF

TYCO PART NUMBER	MODEL NUMBER	FLAT	1	2	3	4	5	6
			1	2	3	4	5	6

TERMINALS CONNECTED WHEN TOGGLE IN POSITIONS SHOWN.

DESIGNATION NUMBERS ARE FOR REFERENCE ONLY AND DO NOT APPEAR ON THE SWITCHES.

THIS DRAWING IS A CONTROLLED DOCUMENT.		DWN	M.BINNER	17OCT2001	tyco Electronics	Tyco Electronics Corporation Harrisburg, Pa 17111		
DIMENSIONS: INCHES		CHK	M.ZITTO	22OCT01		NAME		
TOLERANCES UNLESS OTHERWISE SPECIFIED:		APVD	M.ZITTO	22OCT01	PRODUCT SPEC			
0 PLC ± -		APPLICATION SPEC		SIZE				
1 PLC ± -		WEIGHT		CAGE CODE		DRAWING NO		RESTRICTED TO
2 PLC ± -		MATERIAL		A2		00779		7-1437561-8
3 PLC ± -		SEE TABLE		CUSTOMER DRAWING		SCALE		SHEET
4 PLC ± -		FINISH		8:1		1		OF
ANGLES ± -								REV
FINISH								D

X-ON Electronics

Largest Supplier of Electrical and Electronic Components

Click to view similar products for [Toggle Switches](#) category:

Click to view products by [TE Connectivity](#) manufacturer:

Other Similar products are found below :

[8A1-C-222](#) [60012L](#) [6006L](#) [6663](#) [7101MD9V30GE](#) [7101SPDV30BE](#) [7103SDV30BE](#) [7105D](#) [7108P3YAV2BE](#) [71YY50282](#)
[7201MD9AVBE](#) [7301K38](#) [7306K36](#) [7310K36](#) [7314K36](#) [7506K4](#) [7660K12](#) [7691K14](#) [7700K1](#) [FA75A-CBL](#) [8396K108](#) [8824K14](#) [8828K13](#)
[G2VX](#) [G3VX](#) [PS83-121G](#) [A101MD9AB04](#) [A101SD9AB04](#) [A101SDCQ04](#) [A103SD9AQ04](#) [A107TZB04](#) [A123P32YZQ](#) [A123S1YZG](#)
[A127S1YCQ](#) [1-1825192-0](#) [A131S1YZQ](#) [A201SCWZB04](#) [A207SYCB04](#) [A208J61ZQ0004](#) [A221K12KAG](#) [A221S1YZQ](#) [A221T1TCQ](#)
[A232K12KZQ](#) [A232M1YCQ](#) [A323S1CWZQ](#) [A423S1CWZG-M8](#) [A423S1YZQ](#) [12149A-3V](#) [12156AX408](#) [12147AGKX679](#)