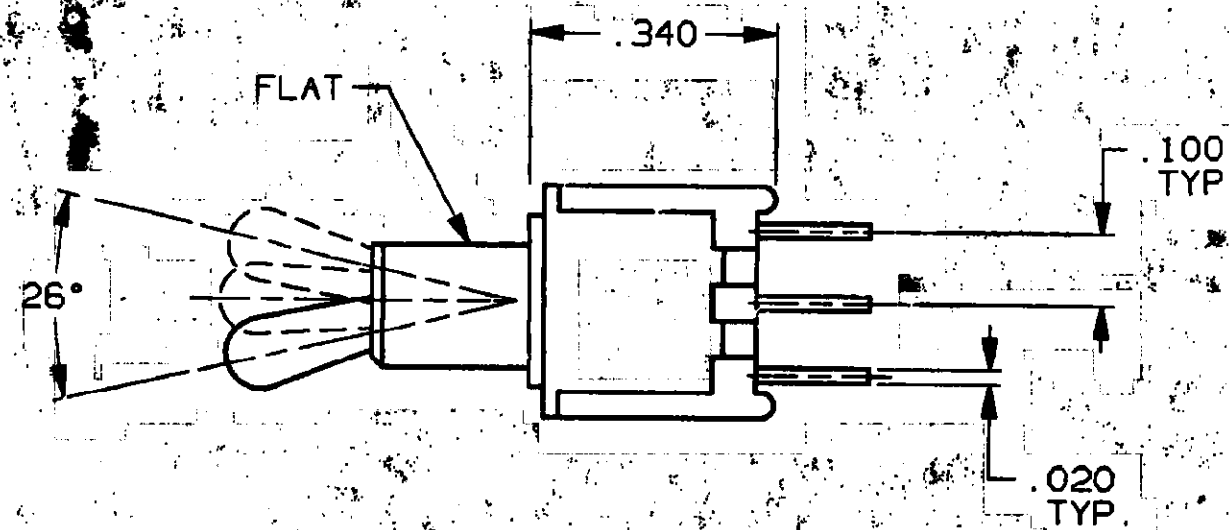


CONVERSION CHART	
INCH	MM
.002	0.05
.010	0.25
.020	0.51
.030	0.76
.043	1.09
.098	2.49
.100	2.54
.130	3.30
.172	4.37
.187	4.75
.206	5.23
.210	5.33
.216	5.49
.236	5.99
.320	8.13
.360	9.14



SPECIFICATIONS:

MATERIALS:

CASE: HIGH TEMPERATURE POLYESTER
 FRAME: TIN PLATE OVER STEEL
 ACTUATOR: NICKEL PLATE OVER COPPER ALLOY
 MOVABLE CONTACT: GOLD OVER NICKEL OVER COPPER ALLOY
 STATIONARY CONTACT: GOLD OVER NICKEL OVER COPPER ALLOY
 TERMINALS: TIN LEAD PLATE OVER COPPER ALLOY
 TERMINAL SEAL: EPOXY

ELECTRICAL:

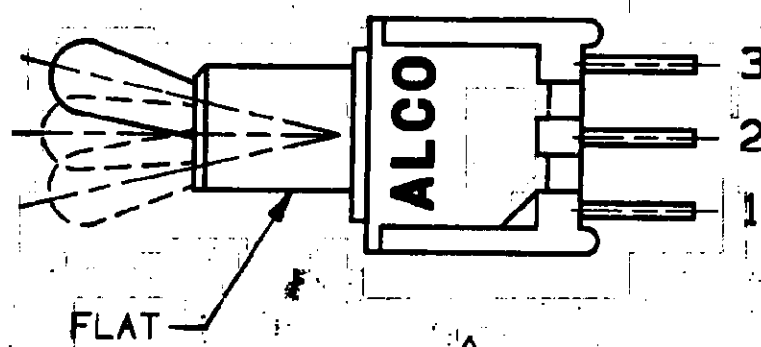
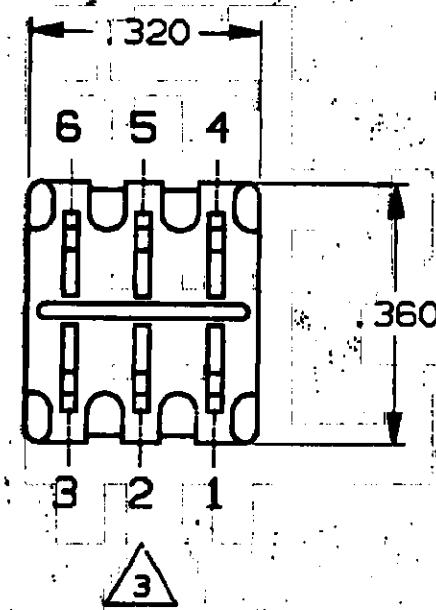
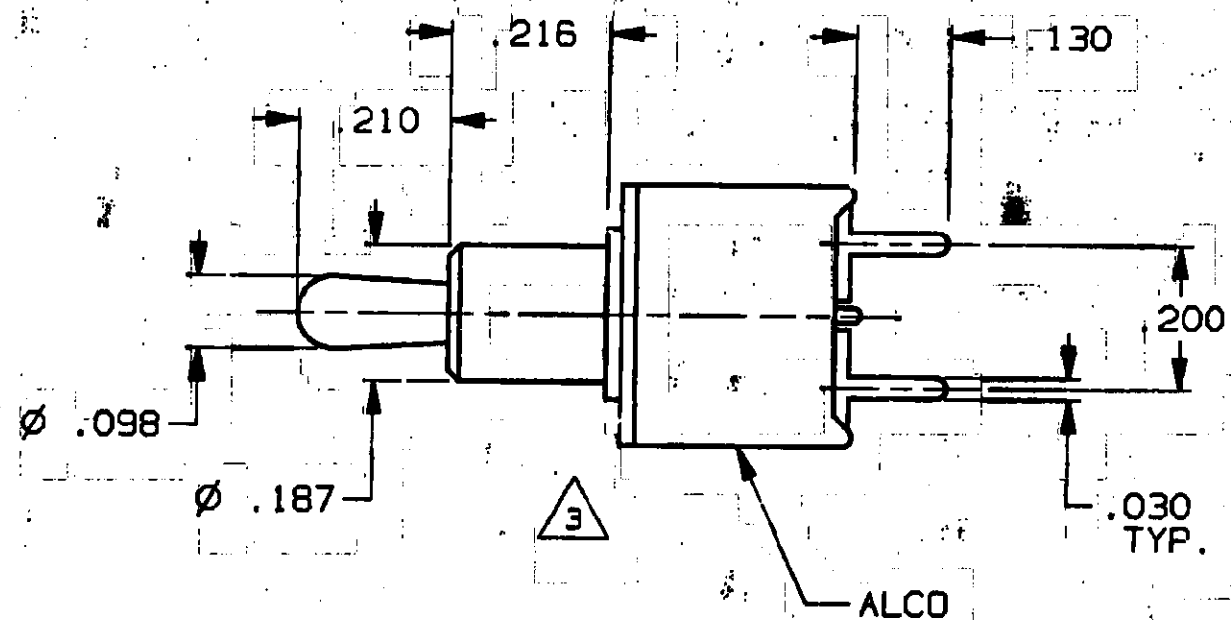
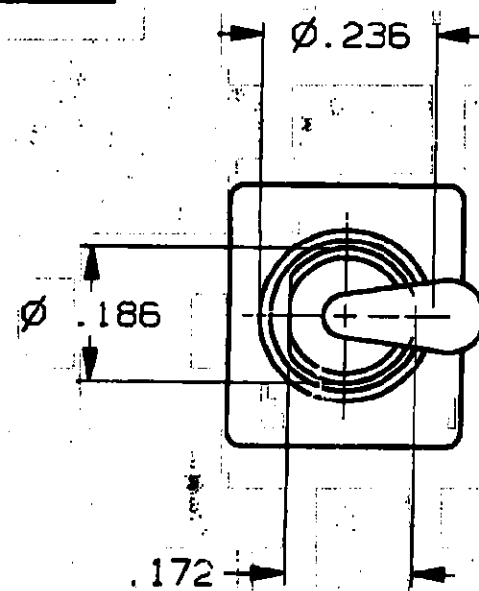
CONTACT RATING: 0.4 VA @ 20 VDC OR PEAK AC
 INITIAL CONTACT RESISTANCE: 20 MILLIOHMS MAX.
 INSULATION RESISTANCE: 1,000 MEGOHMS AT 500 VDC MIN.
 DIELECTRIC STRENGTH: 1,000 VOLTS RMS AT SEA LEVEL
 LIFE EXPECTANCY: 60,000 CYCLES MINIMUM.

ENVIRONMENTAL:

OPERATING TEMPERATURE: +22°F TO +185°F (-30°C TO +85°C)
 STORAGE TEMPERATURE: -67°F TO +185°F (-55°C TO +85°C)

NOTES: UNLESS OTHERWISE SPECIFIED

1. INTERPRET DRAWING PER ASME Y14.5M-1994.



RECOMMENDED HOLE LAYOUT

TOLERANCE ±.002 UNLESS OTHERWISE NOTED

TERMINALS CONNECTED WHEN TOGGLE IN POSITIONS SHOWN			
SWITCH ACTION CODE (*)	FLAT	FLAT	FLAT
	6 5 4 3 2 1	6 5 4 3 2 1	6 5 4 3 2 1
K	OFF	NONE	3 TO 1 6 TO 4
N	2 TO 3 5 TO 6	NONE	2 TO 1 5 TO 4
P	2 TO 3 5 TO 6	OFF	2 TO 1 5 TO 4
R	2 TO 3 (MOM) 5 TO 6 (MOM)	NONE	2 TO 1 5 TO 4
PA	2 TO 3 5 TO 6	2 TO 1 5 TO 6	2 TO 1 5 TO 4

NOTE: DESIGNATION NUMBERS ARE FOR REFERENCE ONLY, AND DO NOT APPEAR ON THE SWITCHES.

AUGAT D/N 40005

SPECIFICATIONS ARE SUBJECT TO CHANGES WITHOUT NOTICE

<p>TOLERANCES (EXCEPT AS NOTED) ANGULAR = ±1° DECIMAL .XX = ±.010 DECIMAL .XXX = ±.010</p>	UNLESS OTHERWISE SPECIFIED DIMENSIONS ARE IN INCHES DO NOT SCALE PRINT	ORIGINAL DATE OF DRAWING: 12-13-79 DRAWN: RM DATE: 12-13-79 CHECKED: BB DATE: 2-22-80 APPROVED: KJ DATE: 2-22-80	 TITLE: CUSTOMER DRAWING SUBMINIATURE TOGGLE SWITCH DOUBLE POLE - F. (TT21(*)G-PC-1) DWG. NO. 1437562-3 PRODUCT CODE: ASI SCALE: SHEET 1 OF 1
	MATERIAL: SEE SPECIFICATIONS	CODE IDENT. NO. 91506 DWG. SIZE C	

REV B
 REVISIONS
 0G3C-0194-05
 MZ 27MAR07

X-ON Electronics

Largest Supplier of Electrical and Electronic Components

Click to view similar products for [Toggle Switches](#) category:

Click to view products by [TE Connectivity](#) manufacturer:

Other Similar products are found below :

[8928K478](#) [8A1-C-222](#) [020017-13](#) [60012L](#) [6006L](#) [CS115W](#) [CS120W](#) [6663](#) [7101SPDV30BE](#) [7103SDV30BE](#) [7105D](#) [7108P3YAV2BE](#)
[71YY50282](#) [7300K36](#) [7301K38](#) [7306K36](#) [7310K36](#) [7506K4](#) [7592K6](#) [7660K12](#) [7691K14](#) [7700K1](#) [8391K108](#) [8396K108](#) [8811K17](#)
[8812K14](#) [8824K14](#) [8828K13](#) [8835K3](#) [8858K44](#) [PS83-121G](#) [1-1825192-0](#) [A201SCWZB04](#) [A207SYCB04](#) [A208J61ZQ0004](#) [A221T1TCQ](#)
[A323S1CWZQ](#) [A423S1CWZG-M8](#) [1201W](#) [12156AX408](#) [12147AGKX679](#) [12246X778](#) [12TW49-3D](#) [130312](#) [13037L](#) [13001X](#)
[AE101MD1W4B04](#) [AE208SD1W4B04](#) [MS24659-22D](#) [MS27407-5](#)