



TTVF

TE Internal #: 318606-000

TTVF, Standard Labels, Flagging, Continuous Label Style,  
 Permanent Pressure Sensitive Acrylic Adhesive, UL Listed Yes, Label  
 Width 30.48 mm [.75 in]

[View on TE.com >](#)

Identification & Labeling > Labels > Standard Labels > TTVF COLOR CODING FLAGGING PVF LABELS



Label Type: **Flagging**

Label Style: **Continuous**

Adhesive Type: **Permanent Pressure Sensitive Acrylic Adhesive**

UL Listed: **Yes**

Label Width: **30.48 mm [.75 in]**

[All TTVF COLOR CODING FLAGGING PVF LABELS \(22\)](#)

**Features**

**Product Type Features**

Label Type	Flagging
------------	----------

**Body Features**

Label Color	Yellow
-------------	--------

**Usage Conditions**

Operating Temperature Range	-40 – 107 °C[-40 – 225 °F]
-----------------------------	----------------------------

**Printer/Label Features**

Number of Labels Across	1
Recommended Printer Ribbon	See Printer Ribbon Matrix
Label Style	Continuous
Label Width	30.48 mm[.75 in]
Label Length	30.48 m[100 ft]
Label Material	Polyvinyl Fluoride (PVF)
Label Thickness	85 Micron

**Industry Standards**

UL Listed	Yes
-----------	-----



### Packaging Features

Packaging Quantity	1
Packaging Method	Roll

### Other

Adhesive Type	Permanent Pressure Sensitive Acrylic Adhesive
---------------	---

### Product Compliance

[For compliance documentation, visit the product page on TE.com>](#)

EU RoHS Directive 2011/65/EU	Compliant
EU ELV Directive 2000/53/EC	Compliant
China RoHS 2 Directive MIIT Order No 32, 2016	No Restricted Materials Above Threshold
EU REACH Regulation (EC) No. 1907/2006	Current ECHA Candidate List: JUN 2020 (209) Candidate List Declared Against: JAN 2018 (181) SVHC > Threshold: Not Yet Reviewed
Halogen Content	Not Low Halogen - contains Br or Cl > 900 ppm.
Solder Process Capability	Not applicable for solder process capability

#### Product Compliance Disclaimer

This information is provided based on reasonable inquiry of our suppliers and represents our current actual knowledge based on the information they provided. This information is subject to change. The part numbers that TE has identified as EU RoHS compliant have a maximum concentration of 0.1% by weight in homogenous materials for lead, hexavalent chromium, mercury, PBB, PBDE, DBP, BBP, DEHP, DIBP, and 0.01% for cadmium, or qualify for an exemption to these limits as defined in the Annexes of Directive 2011/65/EU (RoHS2). Finished electrical and electronic equipment products will be CE marked as required by Directive 2011/65/EU. Components may not be CE marked. Additionally, the part numbers that TE has identified as EU ELV compliant have a maximum concentration of 0.1% by weight in homogenous materials for lead, hexavalent chromium, and mercury, and 0.01% for cadmium, or qualify for an exemption to these limits as defined in the Annexes of Directive 2000/53/EC (ELV). Regarding the REACH Regulations, TE's information on SVHC in articles for this part number is still based on the European Chemical Agency (ECHA) 'Guidance on requirements for substances in articles' (Version: 2, April 2011), applying the 0.1% weight on weight concentration threshold at the finished product level. TE is aware of the European Court of Justice ruling of September 10th, 2015 also known as O5A (Once An Article Always An Article) stating that, in case of 'complex object', the threshold for a SVHC must be applied to both the product as a whole and simultaneously to each of the articles forming part of its composition. TE has evaluated this ruling based on the new ECHA "Guidance on requirements for substances in articles" (June 2017, version 4.0) and will be updating its statements accordingly.

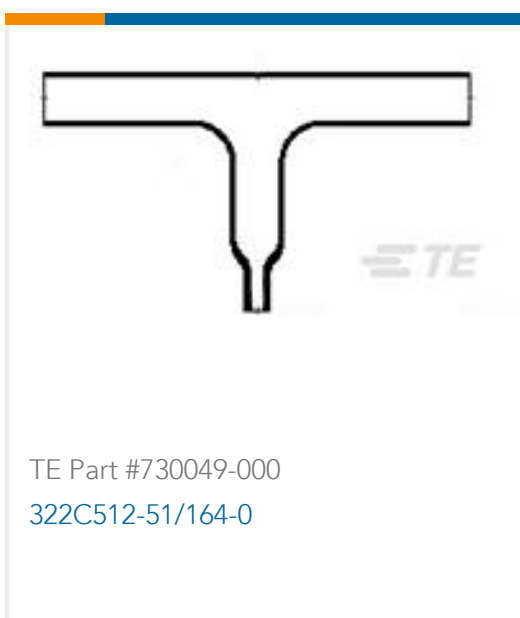
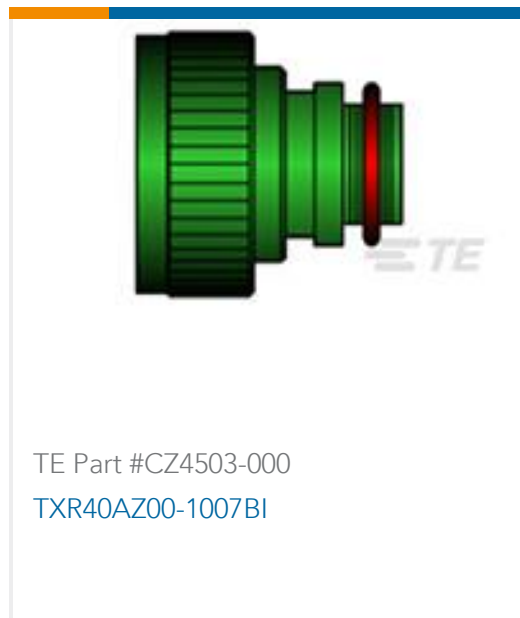
### Compatible Parts



Also in the Series | TTVF



Customers Also Bought





## Documents

### Product Drawings

[TTVF075YW-100](#)

English

---

### Datasheets & Catalog Pages

[DMVF/TTVF Tedlar Labels](#)

English

[IDENTIFICATION SELECTION GUIDE](#)

English

---

### Product Specifications

[IDENTIFICATION PRINTER PRODUCT RIBBON MATRIX](#)

English

## X-ON Electronics

Largest Supplier of Electrical and Electronic Components

*Click to view similar products for [Wire Identification](#) category:*

*Click to view products by [TE Connectivity](#) manufacturer:*

Other Similar products are found below :

[CU6337-000](#) [CU6342-000](#) [FCA-410-12](#) [11631010](#) [1-1768037-1](#) [1-1768037-2](#) [1-1768050-0](#) [PXLK-VI](#) [Q62184-1](#) [A64304-000](#)  
[HK032WE1NF038B](#) [1330-0519-10](#) [1395200-1](#) [1395202-1](#) [DMVF050WE-300S6](#) [D-SCE-1K-2.4-50-4-CS7834](#) [1538738-1](#) [E90935-000](#)  
[EC1238-000](#) [EC1465-000](#) [EC1855-000](#) [EC1859-000](#) [EC1863-000](#) [EC5415-000](#) [EC7277-000](#) [EC7352-000](#) [EC7603-000](#) [EC7707-000](#)  
[EC7735-000](#) [EC7768-000](#) [EC7828-000](#) [EC7854-000](#) [EC7952-000](#) [EC8128-000](#) [1768037-8](#) [1768041-7](#) [NC-127191-10-9](#)  
[HS048WE2NF038B](#) [C03232-000](#) [HTCM-SCE-14-4H-9](#) [HTMS-3/16-9](#) [HT-SCE-1/4-2.0-4](#) [HT-SCE-3/16-2.0-4](#) [HTTMS-1/2-1.50-9](#) [HTTMS-](#)  
[CM-1/2-4H-9](#) [HX-SCE-19.0-50-9](#) [HX-SCE-6.4-50-4](#) [C25254-000](#) [CA5939-000](#) [CA7155-000](#)