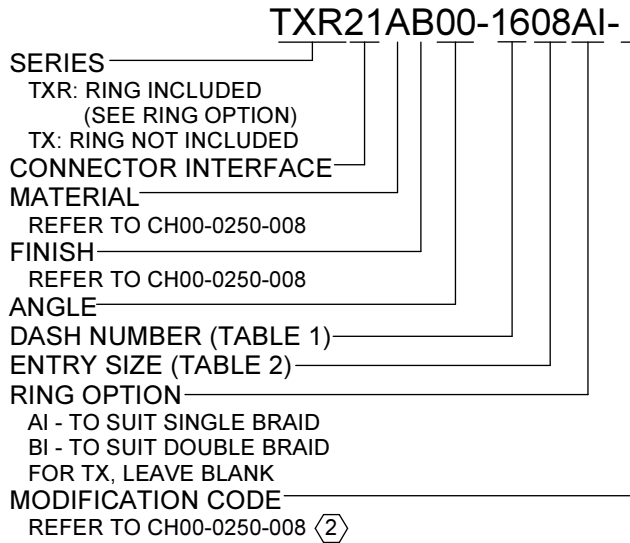
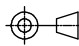




CODE 21 - TINEL-LOCK BACKSHELL



NOTES:

1. THIS PRODUCT IS DESIGNED TO TERMINATE A BRAIDED CABLE SHIELD AND A HEAT SHRINKABLE LIPPED BOOT TO A CONNECTOR.
- (2) FOR ADDITIONAL DIMENSIONS, ORDERING INFORMATION AND MODIFICATIONS, SEE CH00-0250-008.
- (3) SEE DRAWING TR FOR DETAIL ON TINEL-LOCK RING, RINGS ARE DESIGNED TO BE HEATED ELECTRICALLY, ALL RINGS ARE MARKED WITH THERMOCHROMIC PAINT WHICH CHANGES COLOUR WHEN INSTALLATION TEMPERATURE IS REACHED.
4. BACKSHELL TO BE PERMANENTLY MARKED/BAGGED AND LABELLED WITH CODE IDENTIFICATION NUMBER AND PART NUMBER LESS RING DESIGNATOR. (e.g. 06090-TXR21AB00-1406). RING SHALL BEAR NO MARKING.
- (5) FOR LARGER ENTRY SIZES, A 2 PIECE BACKSHELL ASSEMBLY (TYPE 2) IS SUPPLIED.
6. BACKSHELL MATES TO MIL-DTL-26482 SERIES I, MS3110, MS3116, MS3120, MS3126 CLASS E AND F CONNECTORS.
- (7) ANTI-ROTATIONAL SET SCREW, 3 THREADED HOLES $120^\circ \pm 5^\circ$ APART, SINGLE MATING SET SCREW SUPPLIED.

| | | | | | | | | |
|--|---------------------------|------------|---|---|---|--|---------------------------------|------------------------|
| DRAWN | K.WINCZURA | DATE | 04/12/2014 |  3RD ANGLE PROJECTION NOT TO SCALE | TITLE: TINEL-LOCK BACKSHELL |  Polamco  | | |
| CHECKED | | 04/12/2014 | | | | | | |
| APPROVED | K.SHEPPARD | 08/12/2014 | <small>UNLESS OTHERWISE SPECIFIED ALL DIMENSIONS IN MILLIMETRES GENERAL TOL LINEAR +/-0.25MM ANGULAR +/- 1°</small> | | | | | |
| APPROVED | H.SMITH | 13/07/2015 | | | | | | |
| REVISIONS | | | | | ASSY USED ON: MIL-DTL-26482 SERIES I | | | |
| LTR | DESCRIPTION | DATE | APPROVED | | | | | |
| H | REVISED PER ECO-15-002324 | 17/02/2015 | H.SMITH | | | | | |
| J | REVISED PER ECO-15-010170 | 13/07/2015 | H.SMITH | | | | | |
| TE CAGE CODE: 06090 POLAMCO/TE CAGE CODE: U5792 | | | | | <small>TE CONNECTIVITY - POLAMCO LTD RESERVES THE RIGHT TO AMEND THIS DRAWING AND THE INFORMATION SET FORTH HEREON AT ANY TIME. USERS SHOULD INDEPENDENTLY EVALUATE THE SUITABILITY OF THE PRODUCT FOR THEIR APPLICATION.</small> | DRAWING NO: TXR21 | DRAWING REV: J | SHT 1 |

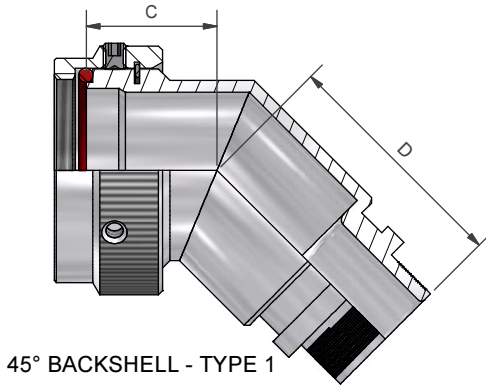
IF MAX ENTRY IS EXCEEDED BACKSHELL
WILL BE SUPPLIED AS TYPE 2



STRAIGHT BACKSHELL - TYPE 1



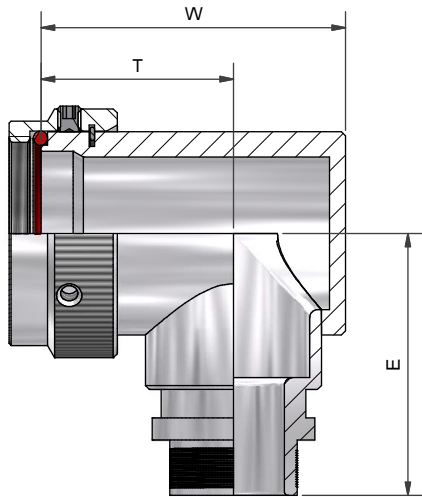
STRAIGHT BACKSHELL - TYPE 2



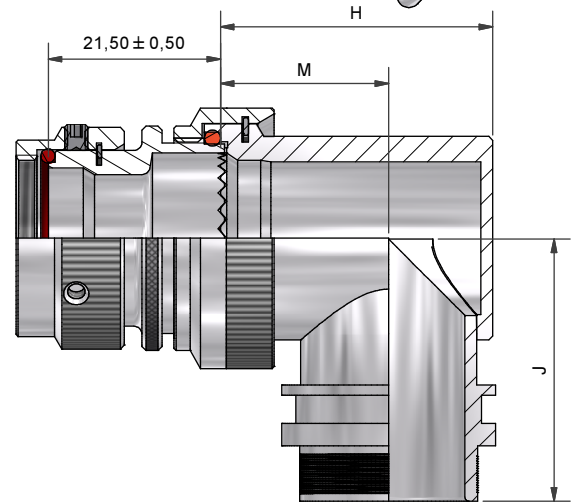
45° BACKSHELL - TYPE 1



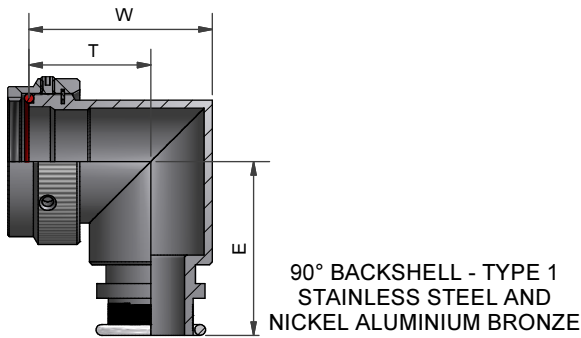
45° BACKSHELL - TYPE 2



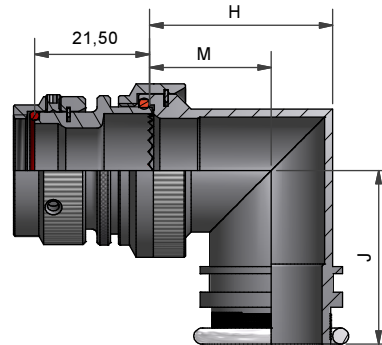
90° BACKSHELL - TYPE 1



90° BACKSHELL - TYPE 2



90° BACKSHELL - TYPE 1
STAINLESS STEEL AND
NICKEL ALUMINIUM BRONZE



90° BACKSHELL - TYPE 2
STAINLESS STEEL AND
NICKEL ALUMINIUM BRONZE

| | | | |
|-----------|---------------------------|------------|------------|
| DRAWN | K.WINCZURA | DATE | 04/12/2014 |
| CHECKED | | DATE | 04/12/2014 |
| APPROVED | K.SHEPPARD | DATE | 08/12/2014 |
| APPROVED | H.SMITH | DATE | 13/07/2015 |
| REVISIONS | | | |
| LTR | DESCRIPTION | DATE | APPROVED |
| H | REVISED PER ECO-15-002324 | 17/02/2015 | H.SMITH |
| J | REVISED PER ECO-15-010170 | 13/07/2015 | H.SMITH |

3RD ANGLE PROJECTION
NOT TO SCALE

UNLESS OTHERWISE SPECIFIED
ALL DIMENSIONS IN MILLIMETRES
GENERAL TOL
LINEAR +/-0,25MM
ANGULAR +/- 1°

TITLE:
TINEL-LOCK BACKSHELL

ASSY USED ON:
MIL-DTL-26482 SERIES I



TE CAGE CODE: 06090
POLAMCO/TE CAGE CODE: U5792

TE CONNECTIVITY - POLAMCO LTD RESERVES THE RIGHT TO AMEND THIS DRAWING AND THE INFORMATION SET FORTH HEREON AT ANY TIME. USERS SHOULD INDEPENDENTLY EVALUATE THE SUITABILITY OF THE PRODUCT FOR THEIR APPLICATION.

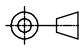
| | | |
|-----------------------------|--------------------------|-----------------|
| DRAWING NO: TXR21 | DRAWING REV: J | SHT 2 |
|-----------------------------|--------------------------|-----------------|


TABLE 1

| ORDER NUMBER | SHELL SIZE | A THREAD | ØB MAX | MAX ENTRY | C ±0,5 | D ±0,5 | W ±0,5 | T ±0,5 | E ±0,5 | THESE DIMENSIONS APPLY IF BACKSHELL IS STAINLESS STEEL OR NICKEL ALUMINIUM BRONZE | | |
|--------------|------------|---------------|--------|-----------|-----------|-----------|-----------|-----------|-----------|---|-----------|-----------|
| | | | | | | | | | | W ±0,5 | T ±0,5 | E ±0,5 |
| 08 | 08 | 7/16-28UNEF | 18,05 | 04 | 13,9 | 26,8 | 25,0 | 17,5 | 26,20 | 22,5 | 17,5 | 26,4 |
| 10 | 10 | 9/16-24UNEF | 21,55 | 06 | 14,7 | 27,5 | 28,0 | 18,6 | 27,95 | 25,8 | 18,6 | 28,2 |
| 12 | 12 | 11/16-24UNEF | 24,65 | 08 | 15,1 | 28,0 | 31,5 | 20,5 | 29,45 | 29,5 | 20,5 | 29,7 |
| 14 | 14 | 13/16-20UNEF | 27,65 | 10 | 16,0 | 29,0 | 35,0 | 22,5 | 31,00 | 32,7 | 22,5 | 31,2 |
| 16 | 16 | 15/16-20UNEF | 31,05 | 12 | 16,3 | 29,7 | 38,0 | 24,0 | 32,70 | 35,5 | 24,0 | 32,9 |
| 18 | 18 | 1 1/16-18UNEF | 34,35 | 12 | 17,3 | 30,5 | 41,5 | 26,0 | 34,25 | 39,3 | 26,0 | 34,5 |
| 20 | 20 | 1 3/16-18UNEF | 37,55 | 14 | 18,1 | 30,9 | 45,0 | 28,0 | 35,80 | 42,7 | 28,0 | 36,1 |
| 22 | 22 | 1 5/16-18UNEF | 40,55 | 16 | 18,5 | 31,1 | 48,0 | 29,5 | 37,40 | 45,7 | 29,5 | 37,6 |
| 24 | 24 | 1 7/16-18UNEF | 43,55 | 18 | 19,3 | 32,1 | 51,0 | 31,0 | 38,90 | 48,4 | 31,0 | 39,1 |

TABLE 2

| ENTRY SIZE | ØZ MIN | ØS | ØY ± 0,3 | ØK MAX | F ±0,5 | G ±0,5 | H ±0,5 | M ±0,5 | J ±0,5 | THESE DIMENSIONS APPLY IF BACKSHELL IS STAINLESS STEEL OR NICKEL ALUMINIUM BRONZE | | |
|------------|--------|---------------|-------------|--------|-----------|-----------|-----------|-----------|-----------|---|-----------|-----------|
| | | | | | | | | | | H ±0,5 | M ±0,5 | J ±0,5 |
| 04 | 6,35 | 9,49 +/-0,04 | 14,00 | NA | NA | NA | NA | NA | NA | NA | NA | NA |
| 05 | 7,92 | 11,06 +/-0,04 | 15,50 | 21,0 | 12,5 | 27,5 | 24,0 | 15,5 | 27,95 | 24,3 | 17,2 | 28,2 |
| 06 | 9,53 | 12,66 +/-0,04 | 17,10 | 21,0 | 12,5 | 27,5 | 24,0 | 15,5 | 27,95 | 24,3 | 17,2 | 28,2 |
| 07 | 11,10 | 14,21 +/-0,07 | 18,70 | 21,0 | 12,5 | 27,5 | 24,0 | 15,5 | 27,95 | 24,3 | 17,2 | 28,2 |
| 08 | 12,70 | 15,81 +/-0,07 | 20,30 | 24,5 | 13,1 | 28,0 | 27,0 | 17,0 | 29,45 | 28,3 | 19,4 | 29,7 |
| 10 | 15,88 | 18,96 +/-0,08 | 23,50 | 29,0 | 13,5 | 29,0 | 31,0 | 19,5 | 31,00 | 31,1 | 21,0 | 31,2 |
| 12 | 19,05 | 22,14 +/-0,08 | 26,70 | 32,5 | 14,5 | 29,7 | 34,0 | 21,0 | 32,70 | 34,2 | 22,8 | 32,9 |
| 14 | 22,23 | 25,30 +/-0,08 | 29,80 | 35,5 | 15,5 | 30,5 | 35,0 | 20,0 | 34,25 | 38,5 | 25,3 | 34,5 |
| 16 | 25,40 | 28,48 +/-0,08 | 33,00 | 37,0 | 16,1 | 30,9 | 38,0 | 21,5 | 35,80 | 40,7 | 26,1 | 36,1 |
| 18 | 28,58 | 31,65 +/-0,08 | 36,20 | 40,0 | 16,5 | 31,1 | 42,0 | 24,0 | 37,40 | 43,7 | 27,6 | 37,6 |
| 20 | 31,75 | 34,83 +/-0,08 | 39,40 | 43,5 | 17,0 | 32,1 | 45,0 | 25,5 | 38,90 | 46,4 | 29,1 | 39,1 |
| 22 | 34,93 | 37,98 +/-0,08 | 42,50 | 48,5 | 18,5 | 35,3 | 54,5 | 31,0 | 42,00 | 50,0 | 31,0 | 42,0 |
| 24 | 38,10 | 41,15 +/-0,08 | 45,70 | 52,1 | 21,9 | 38,1 | 58,0 | 33,0 | 46,00 | 53,5 | 33,0 | 46,0 |

| | | | | |
|--|---------------------------|------------|------------|---|
| DRAWN | K.WINCZURA | DATE | 04/12/2014 |  3RD ANGLE PROJECTION NOT TO SCALE UNLESS OTHERWISE SPECIFIED ALL DIMENSIONS IN MILLIMETRES GENERAL TOL LINEAR +/-0,25MM ANGULAR +/- 1° |
| CHECKED | | DATE | 04/12/2014 | |
| APPROVED | K.SHEPPARD | DATE | 08/12/2014 | |
| APPROVED | H.SMITH | DATE | 13/07/2015 | |
| REVISIONS | | | | |
| LTR | DESCRIPTION | DATE | APPROVED | |
| H | REVISED PER ECO-15-002324 | 17/02/2015 | H.SMITH | |
| J | REVISED PER ECO-15-010170 | 13/07/2015 | H.SMITH | |
| TE CAGE CODE: 06090 POLAMCO/TE CAGE CODE: U5792 | | | | |

| | | | | |
|--|--|---|--------------|-----|
| TITLE: | |  Polamco TE connectivity | | |
| TINEL-LOCK BACKSHELL | | | | |
| ASSY USED ON: | | MIL-DTL-26482 SERIES I | | |
| TE CONNECTIVITY - POLAMCO LTD RESERVES THE RIGHT TO AMEND THIS DRAWING AND THE INFORMATION SET FORTH HEREON AT ANY TIME. USERS SHOULD INDEPENDENTLY EVALUATE THE SUITABILITY OF THE PRODUCT FOR THEIR APPLICATION. | | DRAWING NO: | DRAWING REV: | SHT |
| | | TXR21 | J | 3 |

X-ON Electronics

Largest Supplier of Electrical and Electronic Components

Click to view similar products for [Circular MIL Spec Strain Reliefs & Adapters](#) category:

Click to view products by [TE Connectivity](#) manufacturer:

Other Similar products are found below :

[896227-000](#) [899170S004](#) [6000-063-0022](#) [613751-000](#) [CS6624-000](#) [620AB038Z136](#) [620AS001Z108](#) [620AS038Z112](#) [620AS038Z120](#)
[620AS038Z132](#) [620FB038NF08](#) [620HA038NF13](#) [620HA038NF25](#) [620HA042XM13](#) [620HB049NF17](#) [620HS011NF21](#) [620HS038NF11](#)
[620HS038Z121](#) [620HS042XM19](#) [620HS042XM25](#) [620HS042XW13](#) [620HS048B17](#) [620MS064NF09](#) [620MS064NF12](#) [620MS065M12](#)
[620MS065Z107](#) [620MS065ZNU06](#) [630J041M06H](#) [630J041M20H](#) [640830-000](#) [659943-000](#) [CW0597-000](#) [CW0598-000](#) [CW0948-000](#)
[CY0122-000](#) [M85049/41-6A W/B](#) [M85049/42-12DS](#) [M85049/47N8](#) [M85049/47W18](#) [M85049/51-1-14S](#) [M85049/51-1-8W](#) [M85049/60-](#)
[1N16](#) [M85049/60-2G12W](#) [M85049/69-11N](#) [CZ3661-000](#) [D02922-000](#) [70.360.1628.0](#) [703797-000](#) [D38999/20FJ24SC L/C](#) [705825-000](#)