

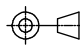


## CODE 32 - TINEL-LOCK BACKSHELL

**TXR32AB00-1608AI-**

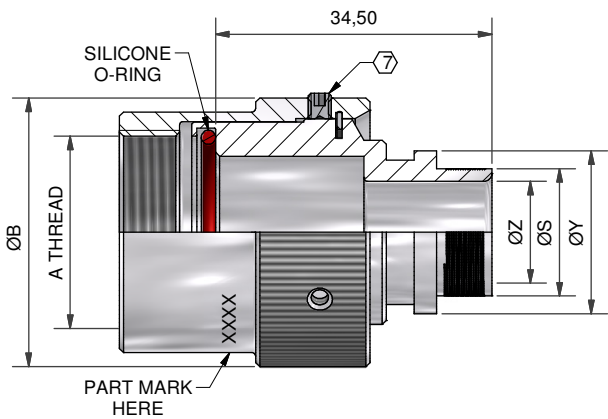
SERIES \_\_\_\_\_  
 TXR: RING INCLUDED  
 (SEE RING OPTION)  
 TX: RING NOT INCLUDED  
 CONNECTOR INTERFACE \_\_\_\_\_  
 MATERIAL \_\_\_\_\_  
 REFER TO CH00-0250-008  
 FINISH \_\_\_\_\_  
 REFER TO CH00-0250-008  
 ANGLE \_\_\_\_\_  
 SHELL SIZE (TABLE 1) \_\_\_\_\_  
 ENTRY SIZE (TABLE 2) \_\_\_\_\_  
 RING OPTION \_\_\_\_\_  
 AI - TO SUIT SINGLE BRAID  
 BI - TO SUIT DOUBLE BRAID  
 FOR TX, LEAVE BLANK  
 MODIFICATION CODE \_\_\_\_\_  
 REFER TO CH00-0250-008 (2)

### NOTES:

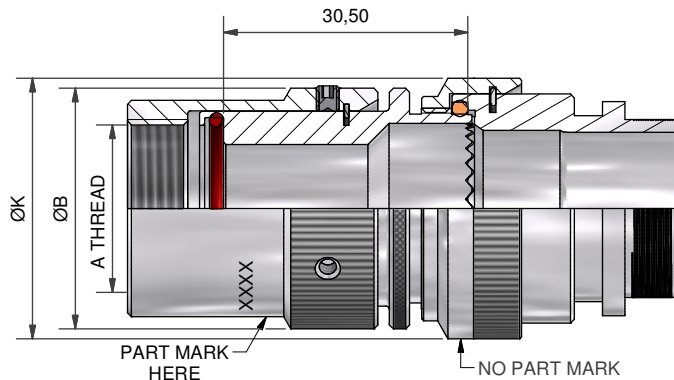
1. THIS PRODUCT IS DESIGNED TO TERMINATE A BRAIDED CABLE SHIELD AND A HEAT SHRINKABLE LIPPED BOOT TO A CONNECTOR.
- (2) FOR ADDITIONAL DIMENSIONS, ORDERING INFORMATION AND MODIFICATIONS, SEE CH00-0250-008.
- (3) SEE DRAWING TR FOR DETAIL ON TINEL-LOCK RING, RINGS ARE DESIGNED TO BE HEATED ELECTRICALLY, ALL RINGS ARE MARKED WITH THERMOCHROMIC PAINT WHICH CHANGES COLOUR WHEN INSTALLATION TEMPERATURE IS REACHED.
4. BACKSHELL TO BE PERMANENTLY MARKED/BAGGED AND LABELLED WITH CODE IDENTIFICATION NUMBER AND PART NUMBER LESS RING DESIGNATOR. (e.g. 06090-TXR32AB00-1406). RING SHALL BEAR NO MARKING.
- (5) FOR LARGER ENTRY SIZES, A 2 PIECE BACKSHELL ASSEMBLY (TYPE 2) IS SUPPLIED.
6. BACKSHELL MATES TO MIL-DTL-22992, CLASS C & R, MS17343, 44, 45 & 47 CONNECTORS.
- (7) ANTI-ROTATIONAL SET SCREW, 3 THREADED HOLES  $120^\circ \pm 5^\circ$  APART, SINGLE MATING SET SCREW SUPPLIED.

<b>DRAWN</b>	K.WINCZURA	DATE	15/12/2014	 3RD ANGLE PROJECTION NOT TO SCALE  UNLESS OTHERWISE SPECIFIED ALL DIMENSIONS IN MILLIMETRES <b>GENERAL TOL</b> LINEAR +/-0.25MM ANGULAR +/- 1°	<b>TITLE:</b>	<b>TINEL-LOCK BACKSHELL</b>			 <b>Polamco</b> 
<b>CHECKED</b>		DATE	15/12/2014						
<b>APPROVED</b>	K.SHEPPARD	DATE	01/09/2015						
<b>APPROVED</b>	H.SMITH	DATE	06/10/2015						
<b>REVISIONS</b>					<b>ASSY USED ON:</b>	<b>MIL-DTL-22992</b>			
<b>LTR</b>	<b>DESCRIPTION</b>	<b>DATE</b>	<b>APPROVED</b>						
<b>E</b>	<b>REVISED PER ECO-14-008400</b>	<b>06.04.14</b>	<b>I.M</b>						
<b>F</b>	<b>REVISED PER ECO-15-014373</b>	<b>01.09.15</b>	<b>H.SMITH</b>						
TE CAGE CODE: 06090 POLAMCO/TE CAGE CODE: U5792					TE CONNECTIVITY - POLAMCO LTD RESERVES THE RIGHT TO AMEND THIS DRAWING AND THE INFORMATION SET FORTH HEREON AT ANY TIME. USERS SHOULD INDEPENDENTLY EVALUATE THE SUITABILITY OF THE PRODUCT FOR THEIR APPLICATION.		<b>DRAWING NO:</b>	<b>DRAWING REV:</b>	<b>SHT</b>
							<b>TXR32</b>	<b>F</b>	<b>1</b>

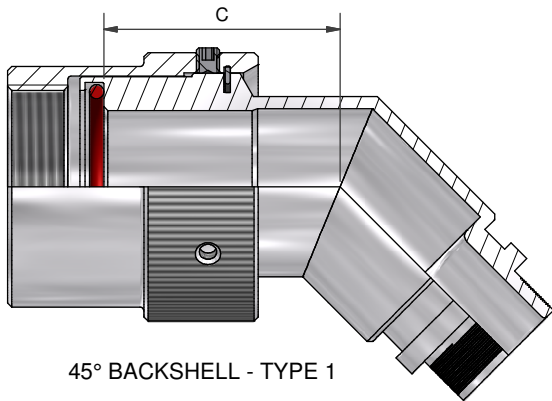
IF MAX ENTRY IS EXCEEDED BACKSHELL  
WILL BE SUPPLIED AS TYPE 2



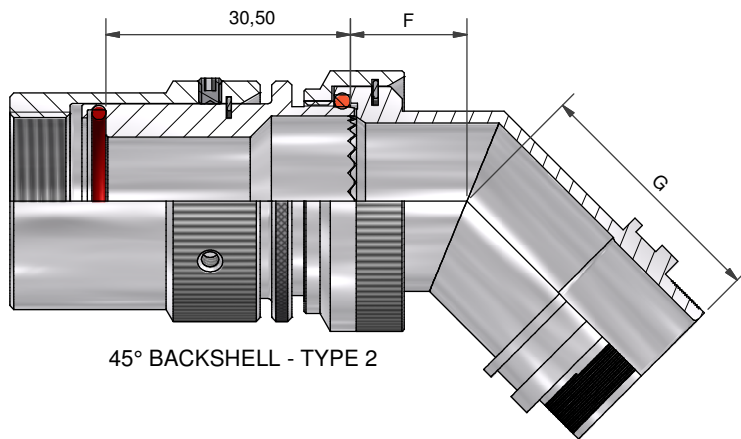
STRAIGHT BACKSHELL - TYPE 1



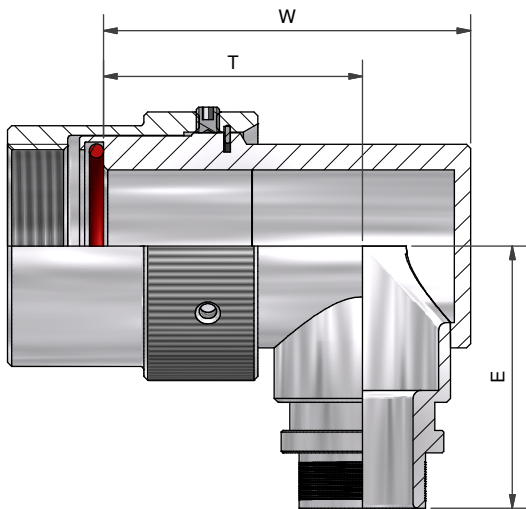
STRAIGHT BACKSHELL - TYPE 2



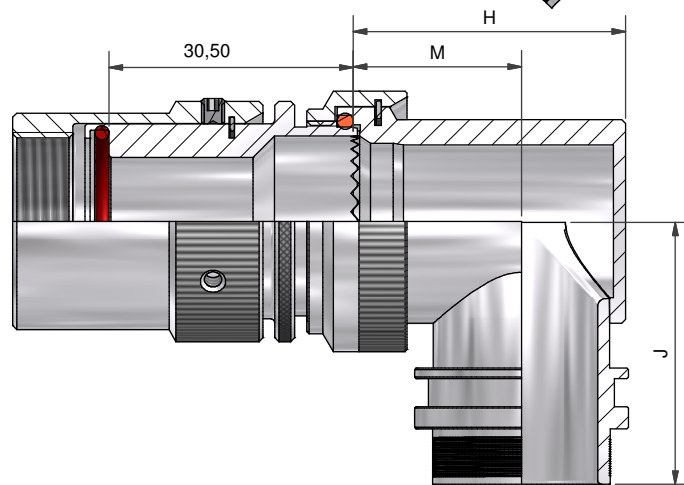
45° BACKSHELL - TYPE 1



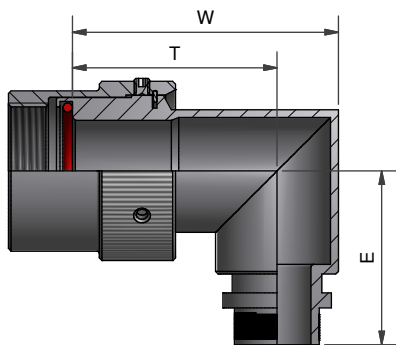
45° BACKSHELL - TYPE 2



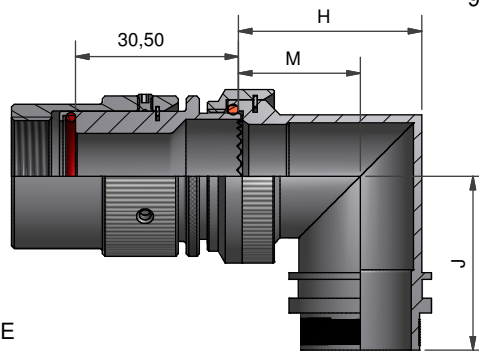
90° BACKSHELL - TYPE 1



90° BACKSHELL - TYPE 2



90° BACKSHELL - TYPE 1  
STAINLESS STEEL AND  
NICKEL ALUMINIUM BRONZE



90° BACKSHELL - TYPE 2  
STAINLESS STEEL AND  
NICKEL ALUMINIUM BRONZE

<b>DRAWN</b>	K.WINCZURA	<b>DATE</b>	15/12/2014
<b>CHECKED</b>		<b>DATE</b>	15/12/2014
<b>APPROVED</b>	K.SHEPPARD	<b>DATE</b>	01/09/2015
<b>APPROVED</b>	H.SMITH	<b>DATE</b>	06/10/2015
<b>REVISIONS</b>			
<b>LTR</b>	<b>DESCRIPTION</b>	<b>DATE</b>	<b>APPROVED</b>
E	REVISED PER ECO-14-008400	06.04.14	I.M
F	REVISED PER ECO-15-014373	01.09.15	H.SMITH



3RD ANGLE  
PROJECTION  
NOT TO  
SCALE

UNLESS OTHERWISE SPECIFIED  
ALL DIMENSIONS IN MILLIMETRES  
**GENERAL TOL**  
LINEAR +/-0.25MM  
ANGULAR +/- 1°

**TITLE:**

**TINEL-LOCK BACKSHELL**

**ASSY USED ON:**

MIL-DTL-22992



**Polamco**



TE CAGE CODE: 06090  
POLAMCO/TE CAGE CODE: U5792

TE CONNECTIVITY - POLAMCO LTD RESERVES THE RIGHT TO AMEND THIS DRAWING  
AND THE INFORMATION SET FORTH HEREON AT ANY TIME. USERS SHOULD  
INDEPENDENTLY EVALUATE THE SUITABILITY OF THE PRODUCT FOR THEIR APPLICATION.

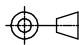
**DRAWING NO:**  
**TXR32**

**DRAWING REV:**  
**F**

**SHT**  
**2**

SHELL SIZE	A LH THREAD	ØB MAX	MAX ENTRY	C MAX	D MAX	W ±0,5	T ±0,5	E ±0,5	THESE DIMENSIONS APPLY IF BACKSHELL IS STAINLESS STEEL OR NICKEL ALUMINIUM BRONZE		
									W MAX	T ±0,5	E ±0,5
12	3/4-20UNEF	27,2	08	29,0	28,5	41,0	30,0	29,5	41,0	30,0	29,7
14	7/8-20UNEF	30,2	10	29,7	29,5	44,0	31,5	31,0	44,0	31,5	31,2
16	1-20UNEF	33,5	12	30,0	30,2	45,8	32,3	32,7	45,8	32,3	32,9
18	1 1/8-18UNEF	36,6	14	30,7	31,0	51,5	36,0	34,3	51,5	36,0	34,5
20	1 1/4-18UNEF	39,9	16	31,2	31,4	54,7	37,2	35,8	54,7	37,2	36,1
22	1 3/8-18UNEF	42,9	18	32,0	31,6	56,9	38,5	37,4	56,9	38,5	37,6
24	1 5/8-18UNEF	52,6	22	33,5	32,6	67,0	43,9	41,9	64,2	42,8	41,9
28	1 7/8-16UN	58,9	24	34,8	33,0	71,3	46,3	45,3	70,8	46,0	45,3
32	2 1/16-16UNS	65,3	24	36,3	32,5	81,5	52,0	48,4	81,5	52,0	48,4
36	2 5/16-16UNS	71,6	24	37,6	33,8	84,8	52,8	51,4	84,0	52,8	51,4
40	2 5/8-18UN	78,0	24	38,9	35,3	90,0	55,6	54,6	90,0	55,6	54,6
44	2 7/8-16UNS	83,0	28	40,5	37,0	93,0	57,0	57,7	93,0	57,0	57,7

ENTRY SIZE	ØZ MIN	ØS	ØY ± 0,3	ØK MAX	F ±0,5	G ±0,5	H ±0,5	M ±0,5	J ±0,5	THESE DIMENSIONS APPLY IF BACKSHELL IS STAINLESS STEEL OR NICKEL ALUMINIUM BRONZE		
										H ±0,5	M ±0,5	J ±0,5
04	6,35	9,49 +/-0,04	14,0	NA	NA	NA	NA	NA	NA	NA	NA	NA
05	7,92	11,06 +/-0,04	15,5	NA	NA	NA	NA	NA	NA	NA	NA	NA
06	9,53	12,66 +/-0,04	17,1	NA	NA	NA	NA	NA	NA	NA	NA	NA
07	11,10	14,21 +/-0,07	18,7	NA	NA	NA	NA	NA	NA	NA	NA	NA
08	12,70	15,81 +/-0,07	20,3	NA	NA	NA	NA	NA	NA	NA	NA	NA
10	15,88	18,96 +/-0,08	23,5	29,0	13,5	29,0	31,0	19,5	31,0	31,1	21,0	31,2
12	19,05	22,14 +/-0,08	26,7	32,5	14,5	29,7	34,0	21,0	32,7	34,2	22,8	32,9
14	22,23	25,30 +/-0,08	29,8	35,5	15,5	30,5	35,0	20,0	34,3	38,5	25,3	34,5
16	25,40	28,48 +/-0,08	33,0	37,0	16,1	30,9	38,0	21,5	35,8	40,7	26,1	36,1
18	28,58	31,65 +/-0,08	36,2	40,0	16,5	31,1	42,0	24,0	37,4	43,7	27,6	37,6
20	31,75	34,83 +/-0,08	39,4	43,5	17,0	32,1	45,0	25,5	38,9	46,4	29,1	39,1
22	34,93	37,98 +/-0,08	42,5	48,5	18,5	35,3	54,5	31,0	42,0	50,0	31,0	42,0
24	38,10	41,15 +/-0,08	45,7	52,1	21,9	38,1	58,0	33,0	46,0	53,5	33,0	46,0
28	44,45	47,50 +/-0,08	52,0	58,5	26,9	44,4	65,5	36,5	51,1	60,3	36,5	51,1

<b>DRAWN</b>	K.WINCZURA	DATE	15/12/2014	 3RD ANGLE PROJECTION NOT TO SCALE
<b>CHECKED</b>		DATE	15/12/2014	
<b>APPROVED</b>	K.SHEPPARD	DATE	01/09/2015	
<b>APPROVED</b>	H.SMITH	DATE	06/10/2015	
<b>REVISIONS</b>				
<b>LTR</b>	<b>DESCRIPTION</b>	<b>DATE</b>	<b>APPROVED</b>	
<b>E</b>	REVISED PER ECO-14-008400	06.04.14	I.M	
<b>F</b>	REVISED PER ECO-15-014373	01.09.15	H.SMITH	

**TITLE:**  
**TINEL-LOCK BACKSHELL**

**ASSY USED ON:**  
**MIL-DTL-22992**



TE CAGE CODE: 06090  
POLAMCO/TE CAGE CODE: U5792

TE CONNECTIVITY - POLAMCO LTD RESERVES THE RIGHT TO AMEND THIS DRAWING AND THE INFORMATION SET FORTH HEREON AT ANY TIME. USERS SHOULD INDEPENDENTLY EVALUATE THE SUITABILITY OF THE PRODUCT FOR THEIR APPLICATION.

<b>DRAWING NO:</b> <b>TXR32</b>	<b>DRAWING REV:</b> <b>F</b>	<b>SHT</b> <b>3</b>
------------------------------------	---------------------------------	------------------------

## X-ON Electronics

Largest Supplier of Electrical and Electronic Components

*Click to view similar products for [Circular MIL Spec Strain Reliefs & Adapters](#) category:*

*Click to view products by [TE Connectivity](#) manufacturer:*

Other Similar products are found below :

[896227-000](#) [899170S004](#) [0113-023-000](#) [6000-063-0022](#) [CS6624-000](#) [620AB038Z136](#) [620AS001Z108](#) [620AS038Z112](#) [620AS038Z120](#)  
[620AS038Z132](#) [620FB038NF08](#) [620HA038NF09](#) [620HA038NF11](#) [620HA038NF13](#) [620HA038NF25](#) [620HB049NF17](#) [620HS038NF11](#)  
[620HS038Z121](#) [620HS042XM19](#) [620HS042XM25](#) [620HS048B17](#) [620MS064NF12](#) [620MS065Z107](#) [620MS065ZNU06](#) [627-123NF21-11](#)  
[627-125NF23-6](#) [630J041M06H](#) [630J041M20H](#) [637S010NF0212H](#) [637S010NF0416A](#) [640830-000](#) [659943-000](#) [66241-10A](#) [CW0597-000](#)  
[CW0598-000](#) [CW0948-000](#) [CY0122-000](#) [M85049/41-6A W/B](#) [M85049/42-12DS](#) [M85049/47N8](#) [M85049/51-1-14S](#) [M85049/51S16S](#)  
[M85049/60-1N16](#) [M85049/60-2G12W](#) [M85049/69-11N](#) [CZ3661-000](#) [D02922-000](#) [70.360.1628.0](#) [703797-000](#) [705825-000](#)