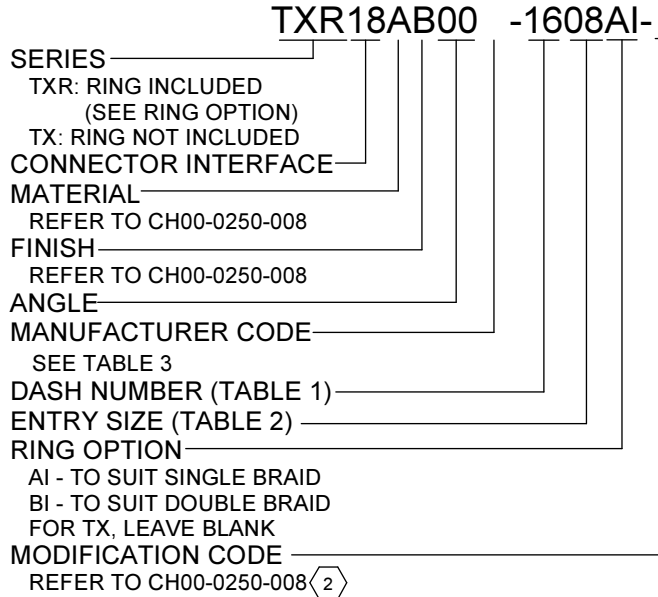
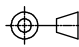




CODE 18 - TINEL-LOCK BACKSHELL

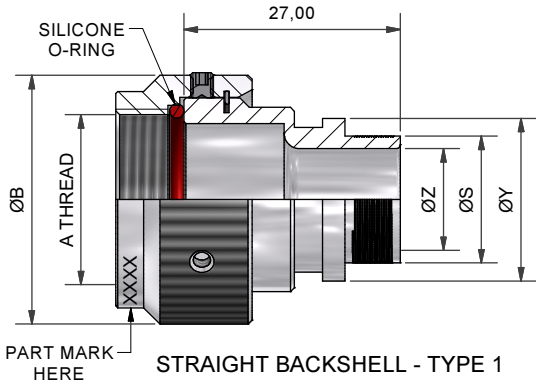


NOTES:

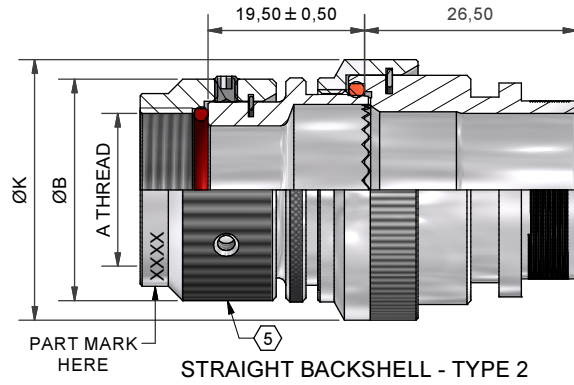
1. THIS PRODUCT IS DESIGNED TO TERMINATE A BRAIDED CABLE SHIELD AND A HEAT SHRINKABLE LIPPED BOOT TO A CONNECTOR.
- (2) FOR ADDITIONAL DIMENSIONS, ORDERING INFORMATION AND MODIFICATIONS, SEE CH00-0250-008.
- (3) SEE DRAWING TR FOR DETAIL ON TINEL-LOCK RING, RINGS ARE DESIGNED TO BE HEATED ELECTRICALLY, ALL RINGS ARE MARKED WITH THERMOCHROMIC PAINT WHICH CHANGES COLOUR WHEN INSTALLATION TEMPERATURE IS REACHED.
4. BACKSHELL TO BE PERMANENTLY MARKED/BAGGED AND LABELLED WITH CODE IDENTIFICATION NUMBER AND PART NUMBER LESS RING DESIGNATOR. (e.g. 06090-TXR18AB00-1406). RING SHALL BEAR NO MARKING.
- (5) IF MAX ENTRY IS EXCEEDED, A 2 PIECE BACKSHELL ASSEMBLY (TYPE 2) IS SUPPLIED.
6. BACKSHELL MATES TO MIL-DTL-5015D, CLASS A, E & R, MS3100, MS3101 & MS3106. RESILIENT INSERT, SOLDER TYPE & BENDIX 10-214, CANNON CA-RX COMMERCIAL CRIMP TYPE.
- (7) ADDITIONAL PIECE(S) SUPPLIED WHEN CONNECTOR MANUFACTURER IS UNKNOWN ("D" IN TABLE 1).
- (8) ALL THREADS SIZES FOR ORDER NO. APPLY
- (9) ANTI-ROTATIONAL SET SCREW, THREE THREADED HOLES 120° ± 5° APART, SINGLE MATING SET SCREW SUPPLIED: AN565DC4H2, NOT REQUIRED FOR TYPE 2 ADAPTERS.

| | | | | | |
|--|---------------------------|--------------------|---|--|--|
| DRAWN | K.WINCZURA | DATE 18/12/2014 |  3RD ANGLE PROJECTION NOT TO SCALE | TITLE: TINEL-LOCK BACKSHELL |  Polamco  TE <small>connectivity</small> |
| CHECKED | | 18/12/2014 | UNLESS OTHERWISE SPECIFIED ALL DIMENSIONS IN MILLIMETRES GENERAL TOL LINEAR +/-0.25MM ANGULAR +/- 1° | ASSY USED ON: MIL-DTL-5015D | |
| APPROVED | K.SHEPPARD | 19/12/2014 | | | |
| APPROVED | H.SMITH | 07/07/2015 | | | |
| REVISIONS | | | | | |
| LTR | DESCRIPTION | DATE | APPROVED | | |
| J | REVISED PER ECO-15-002435 | 18/02/2015 | H.SMITH | | |
| K | REVISED PER ECO-15-009990 | 07/07/2015 | H.SMITH | | |
| TE CAGE CODE: 06090 POLAMCO/TE CAGE CODE: U5792 | | | | TE CONNECTIVITY - POLAMCO LTD RESERVES THE RIGHT TO AMEND THIS DRAWING AND THE INFORMATION SET FORTH HEREON AT ANY TIME. USERS SHOULD INDEPENDENTLY EVALUATE THE SUITABILITY OF THE PRODUCT FOR THEIR APPLICATION. | DRAWING NO: TXR18 |
| | | | | DRAWING REV: K | SHT 1 |

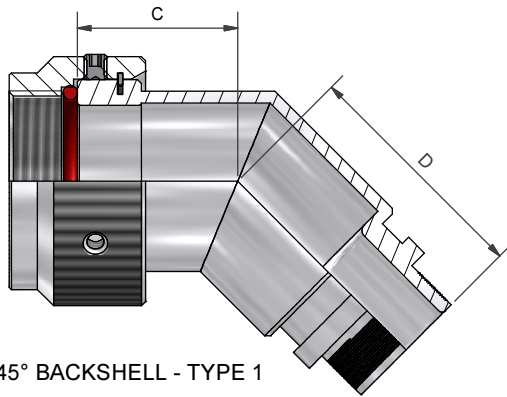
IF MAX ENTRY IS EXCEEDED BACKSHELL WILL BE SUPPLIED AS TYPE 2



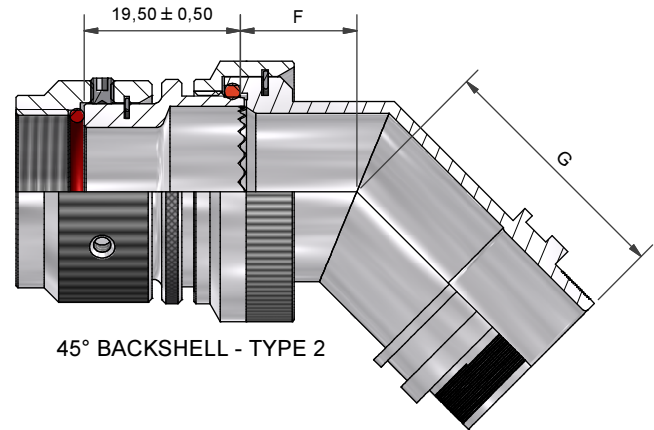
STRAIGHT BACKSHELL - TYPE 1



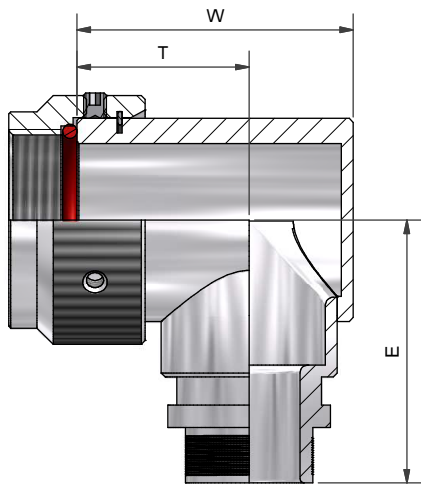
STRAIGHT BACKSHELL - TYPE 2



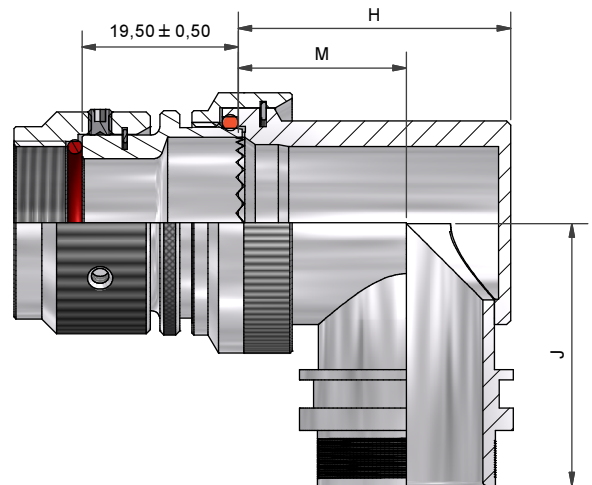
45° BACKSHELL - TYPE 1



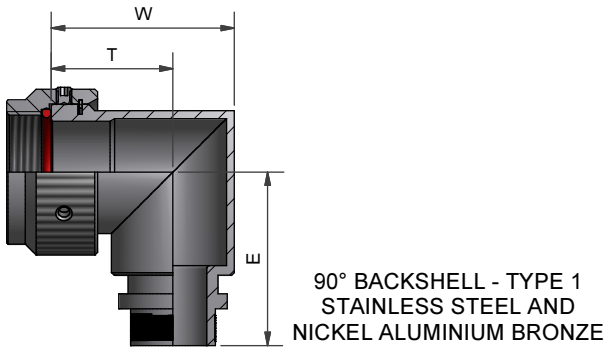
45° BACKSHELL - TYPE 2



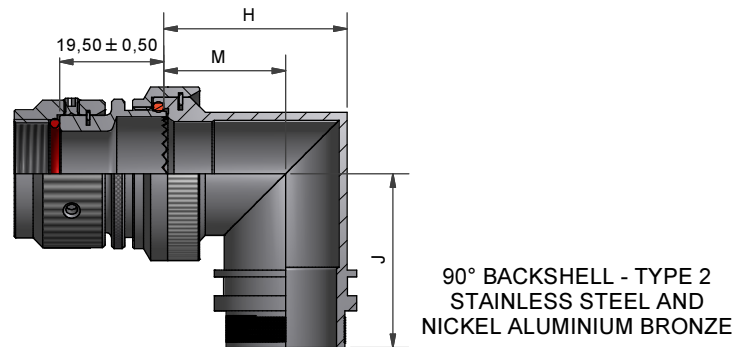
90° BACKSHELL - TYPE 1



90° BACKSHELL - TYPE 2



90° BACKSHELL - TYPE 1
STAINLESS STEEL AND
NICKEL ALUMINIUM BRONZE



90° BACKSHELL - TYPE 2
STAINLESS STEEL AND
NICKEL ALUMINIUM BRONZE

| | | | |
|----------|------------|------|------------|
| DRAWN | K.WINCZURA | DATE | 18/12/2014 |
| CHECKED | | DATE | 18/12/2014 |
| APPROVED | K.SHEPPARD | DATE | 19/12/2014 |
| APPROVED | H.SMITH | DATE | 07/07/2015 |

3RD ANGLE PROJECTION NOT TO SCALE

UNLESS OTHERWISE SPECIFIED ALL DIMENSIONS IN MILLIMETRES
GENERAL TOL
LINEAR +/-0.25MM
ANGULAR +/- 1°

TITLE:
TINEL-LOCK BACKSHELL

ASSY USED ON:
MIL-DTL-5015D

| REVISIONS | | | |
|-----------|---------------------------|------------|----------|
| LTR | DESCRIPTION | DATE | APPROVED |
| J | REVISED PER ECO-15-002435 | 18/02/2015 | H.SMITH |
| K | REVISED PER ECO-15-009990 | 07/07/2015 | H.SMITH |

TE CONNECTIVITY - POLAMCO LTD RESERVES THE RIGHT TO AMEND THIS DRAWING AND THE INFORMATION SET FORTH HEREON AT ANY TIME. USERS SHOULD INDEPENDENTLY EVALUATE THE SUITABILITY OF THE PRODUCT FOR THEIR APPLICATION.



TABLE 1

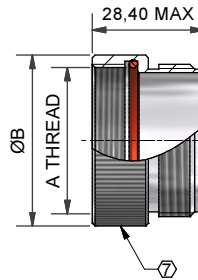
| ORDER NUMBER | SHELL SIZE | MFR CODE TABLE 3 | MAX ENTRY | A THREAD | ØB MAX | C ±0,5 | D ±0,5 | W ±0,5 | T ±0,5 | E ±0,5 | THESE DIMENSIONS APPLY IF BACKSHELL IS STAINLESS STEEL OR NICKEL ALUMINIUM BRONZE | | |
|--------------|------------|------------------|-----------|----------------|--------|--------|--------|----------|--------|--------|---|--------|--------|
| | | | | | | | | | | | W ±0,5 | T ±0,5 | E ±0,5 |
| 08 | 8S | B | 04 | 3/8-32 UNEF | 18,5 | 15,0 | 20,1 | 21,7 | 15,2 | 26,0 | 21,7 | 15,2 | 29,0 |
| | 8S | C | 04 | 7/16-28 UNEF | 18,1 | 15,0 | 20,1 | 21,7 | 15,2 | 26,0 | 21,7 | 15,2 | 29,0 |
| | 8S | A, R | 04 | 7/16-27 UNS | 18,5 | 15,0 | 20,1 | 21,7 | 15,2 | 26,0 | 21,7 | 15,2 | 29,0 |
| | 8S | D (8) | 04 | (7) | 18,5 | 15,0 | 20,1 | 21,7 | 15,2 | 26,0 | 21,7 | 15,2 | 29,0 |
| 10 | 10S | - | 06 | 1/2-28 UNEF | 19,8 | 15,4 | 21,6 | 23,2 | 15,7 | 27,7 | 23,2 | 15,7 | 31,2 |
| 11 | 10SL | C | 07 | 9/16-24 UNEF | 21,6 | 18,4 | 21,6 | 25,0 | 16,5 | 27,7 | 27,2 | 17,5 | 33,0 |
| | 10SL | A, B, R | 07 | 5/8-24 UNEF | 23,2 | 18,4 | 21,6 | 27,2 | 17,5 | 27,7 | 27,2 | 17,5 | 33,0 |
| | 10SL | D (8) | 07 | (7) | 23,2 | 18,4 | 21,6 | 27,2 | 17,5 | 27,7 | 27,2 | 17,5 | 33,0 |
| 12 | 12 & 12S | B, C | 08 | 5/8-24 UNEF | 23,0 | 18,4 | 21,6 | 27,2 | 17,5 | 27,7 | 27,2 | 17,5 | 33,0 |
| | 12 & 12S | A, R | 08 | 11/16-24 UNEF | 24,9 | 18,4 | 21,6 | 27,2 | 17,5 | 27,7 | 27,2 | 17,5 | 33,0 |
| | 12 & 12S | D (8) | 08 | (7) | 24,9 | 18,4 | 21,6 | 27,2 | 17,5 | 27,7 | 27,2 | 17,5 | 33,0 |
| 14 | 14 & 14S | - | 10 | 3/4-20 UNEF | 27,7 | 19,3 | 22,2 | 30,7 | 19,5 | 30,7 | 30,7 | 19,5 | 34,9 |
| 16 | 16 & 16S | - | 12 | 7/8-20 UNEF | 31,1 | 20,0 | 23,6 | 34,2 | 21,5 | 32,4 | 34,2 | 21,5 | 35,5 |
| 18 | 18 | - | 12 | 1-20 UNEF | 34,4 | 20,6 | 23,7 | 37,2 | 23,0 | 34,0 | 37,2 | 23,0 | 37,2 |
| 20 | 20 | A, B, C | 16 | 1 1/8-18 UNEF | 37,6 | 21,3 | 24,6 | 40,7 | 24,5 | 35,6 | 40,7 | 24,5 | 38,7 |
| | 20 | R | 16 | 1 1/8-24 UNS | 37,6 | 21,3 | 24,6 | 40,7 | 24,5 | 35,6 | 40,7 | 24,5 | 38,7 |
| | 20 | D (8) | 16 | (7) | 37,6 | 21,3 | 24,6 | 40,7 | 24,5 | 35,6 | 40,7 | 24,5 | 38,7 |
| 22 | 22 | - | 18 | 1 1/4-18 UNEF | 40,6 | 21,9 | 25,0 | 43,7 | 26,0 | 37,1 | 43,7 | 26,0 | 40,2 |
| 24 | 24 | - | 20 | 1 3/8-18 UNEF | 43,6 | 22,5 | 25,4 | 46,7 | 27,5 | 38,6 | 46,7 | 27,5 | 44,9 |
| 28 | 28 | - | 22 | 1 5/8-18 UNEF | 48,6 | 23,6 | 25,4 | 51,7 | 30,0 | 41,1 | 51,7 | 30,0 | 46,0 |
| 32 | 32 | B, C | 24 | 1 7/8-16 UN | 54,9 | 24,9 | 27,5 | 58,4 | 32,7 | 44,5 | 58,4 | 32,2 | 51,3 |
| | 32 | A, R | 24 | 1 29/32-18 UN | 54,9 | 24,9 | 27,5 | 58,4 | 32,7 | 44,5 | 58,4 | 32,2 | 51,3 |
| | 32 | D (8) | 24 | (7) | 54,9 | 24,9 | 27,5 | 58,4 | 32,7 | 44,5 | 58,4 | 32,2 | 51,3 |
| 36 | 36 | B | 24 | 2 1/16-16 UNS | 64,6 | 27,5 | 29,0 | 67,7 | 38,0 | 49,1 | 67,7 | 38,0 | 54,3 |
| | 36 | R | 24 | 2 1/16-20 UNS | 64,6 | 27,5 | 29,0 | 67,7 | 38,0 | 49,1 | 67,7 | 38,0 | 54,3 |
| | 36 | C | 24 | 2 1/8-16 UN | 64,6 | 27,5 | 29,0 | 67,7 | 38,0 | 49,1 | 67,7 | 38,0 | 54,3 |
| | 36 | A | 24 | 2 1/8-18 UNS | 64,6 | 27,5 | 29,0 | 67,7 | 38,0 | 49,1 | 67,7 | 38,0 | 54,3 |
| | 36 | D (8) | 24 | (7) | 64,6 | 27,5 | 29,0 | 67,7 | 38,0 | 49,1 | 67,7 | 38,0 | 54,3 |
| 40 | 40 | B | 24 | 2 5/16-16 UN | 70,6 | 30,1 | 30,1 | 72,2 | 41,1 | 51,3 | 72,2 | 41,1 | 57,5 |
| | 40 | A, C, R | 24 | 2 3/8-16 UN | 70,6 | 30,1 | 30,1 | 72,2 | 41,1 | 51,3 | 72,2 | 41,1 | 57,5 |
| | 40 | D (8) | 24 | (7) | 69,3 | 30,1 | 30,1 | 72,2 | 41,1 | 51,3 | 72,2 | 41,1 | 57,5 |
| 44 | 44 | - | 24 | 2 5/8-16 UN | 82,0 | 30,1 | 30,1 | 77,6 MAX | 41,1 | 51,3 | 72,2 | 41,1 | 57,5 |
| 48 | 48 | C | 24 | 2 13/16-18 UNS | 82,0 | 31,3 | 38,5 | 84,0 MAX | 44,1 | 57,5 | 75,5 | 40,8 | 57,5 |
| | 48 | A, R | 24 | 2 7/8-16 UN | 82,0 | 31,3 | 38,5 | 84,0 MAX | 47,2 | 57,5 | 75,5 | 40,8 | 57,5 |
| | 48 | D (8) | 24 | (7) | 82,0 | 31,3 | 38,5 | 84,0 MAX | 47,2 | 57,5 | 75,5 | 40,8 | 57,5 |

TABLE 2

| ENTRY SIZE | ØZ MIN | ØS | ØY ±0,3 | ØK MAX | F ±0,5 | G ±0,5 | H ±0,5 | M ±0,5 | J ±0,5 | THESE DIMENSIONS APPLY IF BACKSHELL IS STAINLESS STEEL OR NICKEL ALUMINIUM BRONZE | | |
|------------|--------|---------------|---------|--------|--------|--------|--------|--------|--------|---|--------|--------|
| | | | | | | | | | | H ±0,5 | M ±0,5 | J ±0,5 |
| 04 | 6,35 | 9,49 +/-0,04 | 14,00 | NA | NA | NA | NA | NA | NA | NA | NA | NA |
| 05 | 7,92 | 11,06 +/-0,04 | 15,50 | 21,0 | 12,5 | 27,5 | 24,0 | 15,5 | 27,95 | 24,3 | 17,2 | 28,2 |
| 06 | 9,53 | 12,66 +/-0,04 | 17,10 | 21,0 | 12,5 | 27,5 | 24,0 | 15,5 | 27,95 | 24,3 | 17,2 | 28,2 |
| 07 | 11,10 | 14,21 +/-0,07 | 18,70 | 21,0 | 12,5 | 27,5 | 24,0 | 15,5 | 27,95 | 24,3 | 17,2 | 28,2 |
| 08 | 12,70 | 15,81 +/-0,07 | 20,30 | 24,5 | 13,1 | 28,0 | 27,0 | 17,0 | 29,45 | 28,3 | 19,4 | 29,7 |
| 10 | 15,88 | 18,96 +/-0,08 | 23,50 | 29,0 | 13,5 | 29,0 | 31,0 | 19,5 | 31,00 | 31,1 | 21,0 | 31,2 |
| 12 | 19,05 | 22,14 +/-0,08 | 26,70 | 32,5 | 14,5 | 29,7 | 34,0 | 21,0 | 32,70 | 34,2 | 22,8 | 32,9 |
| 14 | 22,23 | 25,30 +/-0,08 | 29,80 | 35,5 | 15,5 | 30,5 | 35,0 | 20,0 | 34,25 | 38,5 | 25,3 | 34,5 |
| 16 | 25,40 | 28,48 +/-0,08 | 33,00 | 37,0 | 16,1 | 30,9 | 38,0 | 21,5 | 35,80 | 40,7 | 26,1 | 36,1 |
| 18 | 28,58 | 31,65 +/-0,08 | 36,20 | 40,0 | 16,5 | 31,1 | 42,0 | 24,0 | 37,40 | 43,7 | 27,6 | 37,6 |
| 20 | 31,75 | 34,83 +/-0,08 | 39,40 | 43,5 | 17,0 | 32,1 | 45,0 | 25,5 | 38,90 | 46,4 | 29,1 | 39,1 |
| 22 | 34,93 | 37,98 +/-0,08 | 42,50 | 48,5 | 18,5 | 35,3 | 54,5 | 31,0 | 42,00 | 50,0 | 31,0 | 42,0 |
| 24 | 38,10 | 41,15 +/-0,08 | 45,70 | 52,1 | 21,9 | 38,1 | 58,0 | 33,0 | 46,00 | 53,5 | 33,0 | 46,0 |

TABLE 3

| MFR CODE | CONNECTOR MANUFACTURER (MS 3100, MS 3101 & MS 3106) |
|----------|---|
| A | AMPHENOL - CLASS A |
| B | BENDIX - CLASS A, E & R |
| C | CANNON - CLASS A, E & R |
| D | MFR UNKNOWN, CLASS A, E & R |
| R | AMPHENOL - CLASS R |
| - | MFR CODE NOT REQUIRED |



| | | | | |
|--|---------------------------|------------|------------|--|
| DRAWN | K.WINCZURA | DATE | 18/12/2014 | 3RD ANGLE PROJECTION NOT TO SCALE UNLESS OTHERWISE SPECIFIED ALL DIMENSIONS IN MILLIMETRES GENERAL TOL LINEAR +/-0,25MM ANGULAR +/- 1° |
| CHECKED | | DATE | 18/12/2014 | |
| APPROVED | K.SHEPPARD | DATE | 19/12/2014 | |
| APPROVED | H.SMITH | DATE | 07/07/2015 | |
| REVISIONS | | | | |
| LTR | DESCRIPTION | DATE | APPROVED | |
| J | REVISED PER ECO-15-002435 | 18/02/2015 | H.SMITH | |
| K | REVISED PER ECO-15-009990 | 07/07/2015 | H.SMITH | |
| TE CAGE CODE: 06090 POLAMCO/TE CAGE CODE: U5792 | | | | |

| | | | |
|--|----------------------|--------------|---|
| TITLE: | TINEL-LOCK BACKSHELL | | |
| ASSY USED ON: | MIL-DTL-5015D | | |
| DRAWING NO: | TXR18 | DRAWING REV: | K |
| SHT | 3 | | |
| TE CONNECTIVITY - POLAMCO LTD RESERVES THE RIGHT TO AMEND THIS DRAWING AND THE INFORMATION SET FORTH HEREON AT ANY TIME. USERS SHOULD INDEPENDENTLY EVALUATE THE SUITABILITY OF THE PRODUCT FOR THEIR APPLICATION. | | | |



X-ON Electronics

Largest Supplier of Electrical and Electronic Components

Click to view similar products for [Circular MIL Spec Strain Reliefs & Adapters](#) category:

Click to view products by [TE Connectivity](#) manufacturer:

Other Similar products are found below :

[896227-000](#) [899170S004](#) [0113-023-000](#) [6000-063-0022](#) [CS6624-000](#) [620AB038Z136](#) [620AS001Z108](#) [620AS038Z112](#) [620AS038Z120](#)
[620AS038Z132](#) [620FB038NF08](#) [620HA038NF09](#) [620HA038NF11](#) [620HA038NF13](#) [620HA038NF25](#) [620HB049NF17](#) [620HS038NF11](#)
[620HS038Z121](#) [620HS042XM19](#) [620HS042XM25](#) [620HS048B17](#) [620MS064NF12](#) [620MS065Z107](#) [620MS065ZNU06](#) [627-123NF21-11](#)
[627-125NF23-6](#) [630J041M06H](#) [630J041M20H](#) [637S010NF0212H](#) [637S010NF0416A](#) [640830-000](#) [659943-000](#) [66241-10A](#) [CW0597-000](#)
[CW0598-000](#) [CW0948-000](#) [CY0122-000](#) [M85049/41-6A W/B](#) [M85049/42-12DS](#) [M85049/47N8](#) [M85049/51-1-14S](#) [M85049/51S16S](#)
[M85049/60-1N16](#) [M85049/60-2G12W](#) [M85049/69-11N](#) [CZ3661-000](#) [D02922-000](#) [70.360.1628.0](#) [703797-000](#) [705825-000](#)