



CODE 54 - TINEL-LOCK BACKSHELL

TXR54AB00-1608AI-S

SERIES _____
 TXR: RING INCLUDED
 (SEE RING OPTION)
 TX: RING NOT INCLUDED
 CONNECTOR INTERFACE _____
 MATERIAL _____
 REFER TO CH00-0250-008
 FINISH _____
 REFER TO CH00-0250-008
 ANGLE _____
 DASH NUMBER (TABLE 1) _____
 ENTRY SIZE (TABLE 2) _____
 RING OPTION _____
 AI - TO SUIT SINGLE BRAID
 BI - TO SUIT DOUBLE BRAID
 FOR TX, LEAVE BLANK
 MODIFICATION CODE _____
 REFER TO CH00-0250-008

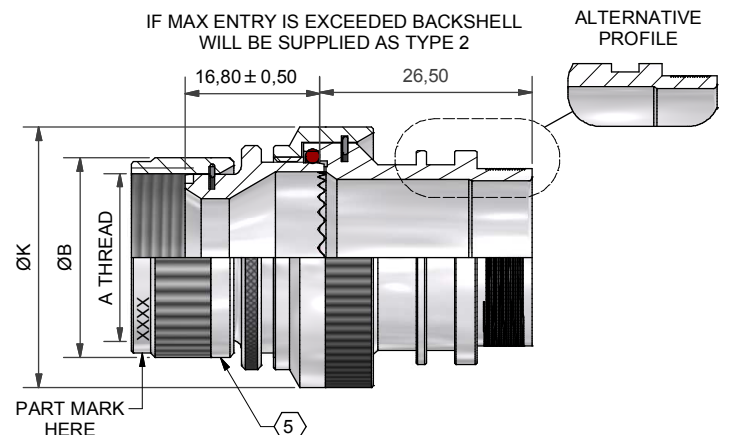
NOTES:

1. THIS PRODUCT IS DESIGNED TO TERMINATE A BRAIDED CABLE SHIELD AND A HEAT SHRINKABLE LIPPED BOOT TO A CONNECTOR.
2. FOR ADDITIONAL DIMENSIONS, ORDERING INFORMATION AND MODIFICATIONS, SEE CH00-0250-008.
3. SEE DRAWING TR FOR DETAIL ON TINEL-LOCK RING, RINGS ARE DESIGNED TO BE HEATED ELECTRICALLY, ALL RINGS ARE MARKED WITH THERMOCHROMIC PAINT WHICH CHANGES COLOUR WHEN INSTALLATION TEMPERATURE IS REACHED.
4. BACKSHELL TO BE PERMANENTLY MARKED/BAGGED AND LABELLED WITH CODE IDENTIFICATION NUMBER AND PART NUMBER LESS RING DESIGNATOR. (e.g. 06090-TXR54AB00-1206). RING SHALL BEAR NO MARKING.
5. FOR LARGER ENTRY SIZES, A 2 PIECE BACKSHELL ASSEMBLY (TYPE 2) IS SUPPLIED.
6. BACKSHELL MATES TO MIL-C-81703, SERIES III, MS3424, MS3446, MS3464, MS3467, MS3468
7. BACKSHELL MATES TO MIL-C-5015G, MS3400 SERIES, CLASS D, E, K, L, U & W, MS3400, MS3401, MS3404, MS3406 MS3424, MS3446, MS3464, MS3467, MS3468, MS3450, MS3451, MS3454, MS3456, MS3470, MS3471, MS3472, MS3474, MS3475, MS3476. MIL-C-83723, SERIES II, CLASS A & L. MIL-C-83723, SERIES I & II, CLASS A, G, K, R & S: M83723/1, /2, /3, /4, /5, /6, /7, /8, /13, /14, /36, /37, /38, /39, /40, /41, /42, /43, /48, /49, /65, /66, /67, /68, /69, /70, /71, /72, /73, /74, /75, /76, /77, /78, /82, /83, /84, /85, /86, /87, /91, /92, /95, /97, /98, (MS3155 CONTROLLED INTERFACE).
8. THESE DIMENSIONS APPLY IF A SELF-LOCKING COUPLING NUT IS USED.

| | | | | | | |
|--|---------------------------|-------------|-----------------|--|--|------------------------------------|
| DRAWN | K.WINCZURA | DATE | 01/12/2014 | 3RD ANGLE PROJECTION NOT TO SCALE | TITLE: TINEL-LOCK BACKSHELL | Polamco |
| CHECKED | | DATE | 01/12/2014 | | | |
| APPROVED | K.SHEPPARD | DATE | 04/12/2014 | UNLESS OTHERWISE SPECIFIED ALL DIMENSIONS IN MILLIMETRES GENERAL TOL LINEAR +/-0.25MM ANGULAR +/- 1° | ASSY USED ON: MIL-DTL-26482 SERIES II / MIL-DTL-83723 SERIES I & III | TE connectivity |
| APPROVED | | | | | | |
| REVISIONS | | | | | | |
| LTR | DESCRIPTION | DATE | APPROVED | | | |
| K | REVISED PER ECO-15-002312 | 13.02.15 | H.SMITH | | | |
| L | REVISED PER ECO-17-009011 | 21.06.17 | D.JONES | | | |
| TE CAGE CODE: 06090 POLAMCO/TE CAGE CODE: U5792 | | | | | TE CONNECTIVITY - POLAMCO LTD RESERVES THE RIGHT TO AMEND THIS DRAWING AND THE INFORMATION SET FORTH HEREON AT ANY TIME. USERS SHOULD INDEPENDENTLY EVALUATE THE SUITABILITY OF THE PRODUCT FOR THEIR APPLICATION. | DRAWING NO: TXR54 |
| | | | | | DRAWING REV: L | SHT 1 |



STRAIGHT BACKSHELL - TYPE 1



STRAIGHT BACKSHELL - TYPE 2



45° BACKSHELL - TYPE 1



45° BACKSHELL - TYPE 2



90° BACKSHELL - TYPE 1



90° BACKSHELL - TYPE 2



90° BACKSHELL - TYPE 1
STAINLESS STEEL AND
NICKEL ALUMINIUM BRONZE



90° BACKSHELL - TYPE 2
STAINLESS STEEL AND
NICKEL ALUMINIUM BRONZE

| | | | |
|----------|------------|------|------------|
| DRAWN | K.WINCZURA | DATE | 01/12/2014 |
| CHECKED | | DATE | 01/12/2014 |
| APPROVED | K.SHEPPARD | DATE | 04/12/2014 |
| APPROVED | | | |

3RD ANGLE PROJECTION
NOT TO SCALE

UNLESS OTHERWISE SPECIFIED
ALL DIMENSIONS IN MILLIMETRES
GENERAL TOL
LINEAR +/-0.25MM
ANGULAR +/- 1°

TITLE:
TINEL-LOCK BACKSHELL

ASSY USED ON:
MIL-DTL-26482 SERIES II / MIL-DTL-83723 SERIES I & III



| REVISIONS | | | |
|-----------|---------------------------|----------|----------|
| LTR | DESCRIPTION | DATE | APPROVED |
| K | REVISED PER ECO-15-002312 | 13.02.15 | H.SMITH |
| L | REVISED PER ECO-17-009011 | 21.06.17 | D.JONES |

TE CAGE CODE: 06090
POLAMCO/TE CAGE CODE: U5792

TE CONNECTIVITY - POLAMCO LTD RESERVES THE RIGHT TO AMEND THIS DRAWING AND THE INFORMATION SET FORTH HEREON AT ANY TIME. USERS SHOULD INDEPENDENTLY EVALUATE THE SUITABILITY OF THE PRODUCT FOR THEIR APPLICATION.

| | | |
|-------------|--------------|-----|
| DRAWING NO: | DRAWING REV: | SHT |
| TXR54 | L | 2 |

MODIFICATION S (SELF-LOCKING COUPLING NUT)



BACKSHELL - TYPE 1

BACKSHELL - TYPE 2

TABLE 1

| ORDER NO. | SHELL SIZE | | A THREAD | ØB MAX | ØB MAX (8) | MAX ENTRY | C ±0,5 | D ±0,5 | W ±0,5 | T ±0,5 | E ±0,5 | THESE DIMENSIONS APPLY IF BACKSHELL IS STAINLESS STEEL OR NICKEL ALUMINIUM BRONZE | | |
|-----------|------------|---------------|----------------|--------|------------|-----------|--------|--------|--------|--------|--------|---|--------|--------|
| | (6) | (7) | | | | | | | | | | W ±0,5 | T ±0,5 | E ±0,5 |
| 03 | 3 | | 9/16-24 UNEF | 17,0 | 19,4 | 04 | 16,8 | 27,0 | 26,4 | 17,8 | 25,9 | 26,3 | 16,0 | 25,9 |
| 08 | | 8 & 8S | 1/2-20 UNF | 15,6 | 18,0 | 04 | 16,6 | 26,8 | 24,5 | 17,5 | 26,2 | 22,4 | 17,5 | 26,2 |
| 10 | | 10, 10S, 10SL | 5/8-24 UNEF | 18,6 | 21,0 | 06 | 16,8 | 27,5 | 26,5 | 17,8 | 28,0 | 25,0 | 18,8 | 28,0 |
| 12 | 7 | 12 & 12S | 3/4-20 UNEF | 21,7 | 25,0 | 08 | 17,3 | 28,0 | 29,0 | 18,7 | 29,5 | 28,3 | 20,4 | 29,5 |
| 14 | 12 | 14 & 14S | 7/8-20 UNEF | 24,9 | 28,0 | 08 | 18,1 | 29,0 | 30,5 | 19,0 | 30,3 | 30,4 | 21,5 | 31,0 |
| 16 | 19 | 16 & 16S | 1-20 UNEF | 28,2 | 31,0 | 10 | 19,0 | 29,7 | 34,0 | 21,0 | 32,7 | 33,5 | 23,0 | 32,7 |
| 18 | 27 | 18 | 1 1/16-18 UNEF | 30,9 | 34,0 | 12 | 19,2 | 30,5 | 37,0 | 23,5 | 32,7 | 35,5 | 24,0 | 32,7 |
| 20 | 37 | 20 | 1 3/16-18 UNEF | 34,1 | 36,5 | 14 | 20,1 | 30,9 | 42,0 | 27,0 | 34,3 | 38,8 | 25,7 | 34,3 |
| 22 | | 22 | 1 5/16-18 UNEF | 37,3 | 39,8 | 16 | 20,3 | 31,1 | 44,0 | 27,0 | 35,8 | 41,9 | 27,2 | 35,8 |
| 24 | | 24 | 1 7/16-18 UNEF | 40,4 | 42,0 | 18 | 21,8 | 32,1 | 45,0 | 27,0 | 37,4 | 44,8 | 28,7 | 37,4 |
| 28 | | 28 | 1 3/4-18UNS | 50,0 | 49,8 | 22 | 23,3 | 32,5 | 54,2 | 31,4 | 41,9 | 50,7 | 31,6 | 41,9 |
| 32 | | 32 | 2-18 UNS | 56,3 | 57,2 | 24 | 25,0 | 29,3 | 60,9 | 36,4 | 45,3 | 60,0 | 33,5 | 45,3 |
| 36 | | 36 | 2 1/4-16 UN | 62,7 | 63,6 | 28 | 26,2 | 30,7 | 67,2 | 38,0 | 48,4 | 65,5 | 36,0 | 48,4 |
| 40 | | 40 | 2 1/2-16 UN | 69,0 | 70,0 | 28 | 28,6 | 32,0 | 73,2 | 41,0 | 51,4 | 72,0 | 39,3 | 51,4 |
| 44 | | 44 | 2 3/4-16 UN | 75,4 | 75,4 | 28 | 30,1 | 33,7 | 79,5 | 44,1 | 54,6 | 75,5 | 40,8 | 54,6 |
| 48 | | 48 | 3-16UN | 81,7 | 81,7 | 28 | 31,3 | 34,9 | 85,8 | 47,2 | 57,7 | 75,5 | 40,8 | 57,7 |
| 61 | 61 | | 1 1/2-18 UNEF | 42,0 | 43,6 | 18 | 22,1 | 26,6 | 47,8 | 28,0 | 38,7 | 48,3 | 27,0 | 38,7 |

TABLE 2

| ENTRY SIZE | ØZ MIN | ØS | ØY ± 0,3 | ØK MAX | ØK MAX (8) | F ±0,5 | G ±0,5 | H ±0,5 | M ±0,5 | J ±0,5 | THESE DIMENSIONS APPLY IF BACKSHELL IS STAINLESS STEEL OR NICKEL ALUMINIUM BRONZE | | | |
|------------|--------|---------------|----------|--------|------------|--------|--------|--------|--------|--------|---|--------|--------|----|
| | | | | | | | | | | | H ±0,5 | M ±0,5 | J ±0,5 | |
| 04 | 6,35 | 9,49 +/-0,04 | 14,00 | NA | NA | NA | NA | NA | NA | NA | NA | NA | NA | NA |
| 05 | 7,92 | 11,06 +/-0,04 | 15,50 | 21,0 | 24,6 | 12,5 | 27,5 | 24,0 | 15,5 | 27,95 | 24,3 | 17,2 | 28,2 | |
| 06 | 9,53 | 12,66 +/-0,04 | 17,10 | 21,0 | 24,6 | 12,5 | 27,5 | 24,0 | 15,5 | 27,95 | 24,3 | 17,2 | 28,2 | |
| 07 | 11,10 | 14,21 +/-0,07 | 18,70 | 21,0 | 24,6 | 12,5 | 27,5 | 24,0 | 15,5 | 27,95 | 24,3 | 17,2 | 28,2 | |
| 08 | 12,70 | 15,81 +/-0,07 | 20,30 | 24,5 | 28,3 | 13,1 | 28,0 | 27,0 | 17,0 | 29,45 | 28,3 | 19,4 | 29,7 | |
| 10 | 15,88 | 18,96 +/-0,08 | 23,50 | 29,0 | 32,4 | 13,5 | 29,0 | 31,0 | 19,5 | 31,00 | 31,1 | 21,0 | 31,2 | |
| 12 | 19,05 | 22,14 +/-0,08 | 26,70 | 32,5 | 35,6 | 14,5 | 29,7 | 34,0 | 21,0 | 32,70 | 34,2 | 22,8 | 32,9 | |
| 14 | 22,23 | 25,30 +/-0,08 | 29,80 | 35,5 | 38,5 | 15,5 | 30,5 | 35,0 | 20,0 | 34,25 | 38,5 | 25,3 | 34,5 | |
| 16 | 25,40 | 28,48 +/-0,08 | 33,00 | 37,0 | 41,7 | 16,1 | 30,9 | 38,0 | 21,5 | 35,80 | 40,7 | 26,1 | 36,1 | |
| 18 | 28,58 | 31,65 +/-0,08 | 36,20 | 40,0 | 43,9 | 16,5 | 31,1 | 42,0 | 24,0 | 37,40 | 43,7 | 27,6 | 37,6 | |
| 20 | 31,75 | 34,83 +/-0,08 | 39,40 | 43,5 | 47,0 | 17,0 | 32,1 | 45,0 | 25,5 | 38,90 | 46,4 | 29,1 | 39,1 | |
| 22 | 34,93 | 37,98 +/-0,08 | 42,50 | 48,5 | 50,0 | 18,5 | 35,3 | 54,5 | 31,0 | 42,00 | 50,0 | 31,0 | 42,0 | |
| 24 | 38,10 | 41,15 +/-0,08 | 45,70 | 52,1 | 56,0 | 21,9 | 38,1 | 58,0 | 33,0 | 46,00 | 53,5 | 33,0 | 46,0 | |
| 28 | 44,45 | 47,50 +/-0,08 | 52,00 | 58,5 | 61,0 | 26,9 | 44,4 | 65,5 | 36,5 | 51,1 | 60,3 | 36,5 | 51,1 | |

| | | | | |
|----------|------------|------|------------|---|
| DRAWN | K.WINCZURA | DATE | 01/12/2014 | |
| CHECKED | | DATE | 01/12/2014 | |
| APPROVED | K.SHEPPARD | DATE | 04/12/2014 | UNLESS OTHERWISE SPECIFIED ALL DIMENSIONS IN MILLIMETRES GENERAL TOL LINEAR +/-0,25MM ANGULAR +/- 1° |
| APPROVED | | | | |

TITLE:

TINEL-LOCK BACKSHELL

ASSY USED ON:

MIL-DTL-26482 SERIES II / MIL-DTL-83723 SERIES I & III



Polamco



| REVISIONS | | | |
|-----------|---------------------------|----------|----------|
| LTR | DESCRIPTION | DATE | APPROVED |
| K | REVISED PER ECO-15-002312 | 13.02.15 | H.SMITH |
| L | REVISED PER ECO-17-009011 | 21.06.17 | D.JONES |

TE CAGE CODE: 06090
POLAMCO/TE CAGE CODE: U5792

TE CONNECTIVITY - POLAMCO LTD RESERVES THE RIGHT TO AMEND THIS DRAWING AND THE INFORMATION SET FORTH HEREON AT ANY TIME. USERS SHOULD INDEPENDENTLY EVALUATE THE SUITABILITY OF THE PRODUCT FOR THEIR APPLICATION.

DRAWING NO:
TXR54

DRAWING REV:
L

SHT
3

X-ON Electronics

Largest Supplier of Electrical and Electronic Components

Click to view similar products for [Circular MIL Spec Strain Reliefs & Adapters](#) category:

Click to view products by [TE Connectivity](#) manufacturer:

Other Similar products are found below :

[896227-000](#) [899170S004](#) [6000-063-0022](#) [613751-000](#) [CS6624-000](#) [620AB038Z136](#) [620AS001Z108](#) [620AS038Z112](#) [620AS038Z120](#)
[620AS038Z132](#) [620FB038NF08](#) [620HA038NF13](#) [620HA038NF25](#) [620HA042XM13](#) [620HB049NF17](#) [620HS011NF21](#) [620HS038NF11](#)
[620HS038Z121](#) [620HS042XM19](#) [620HS042XM25](#) [620HS042XW13](#) [620HS048B17](#) [620MS064NF09](#) [620MS064NF12](#) [620MS065M12](#)
[620MS065Z107](#) [620MS065ZNU06](#) [630J041M06H](#) [630J041M20H](#) [637S010NF0212H](#) [640830-000](#) [659943-000](#) [66241-10A](#) [CW0597-000](#)
[CW0598-000](#) [CW0948-000](#) [CY0122-000](#) [M85049/41-6A W/B](#) [M85049/42-12DS](#) [M85049/47N8](#) [M85049/47W18](#) [M85049/51-1-14S](#)
[M85049/51-1-8W](#) [M85049/51S16S](#) [M85049/60-1N16](#) [M85049/60-2G12W](#) [M85049/69-11N](#) [CZ3661-000](#) [D02922-000](#) [70.360.1628.0](#)