

## CODE 64 - TINEL-LOCK BACKSHELL

TXR64AB00-1608AI-

SERIES \_\_\_\_\_  
 TXR: RING INCLUDED  
 (SEE RING OPTION)  
 TX: RING NOT INCLUDED  
 CONNECTOR INTERFACE \_\_\_\_\_  
 MATERIAL \_\_\_\_\_  
 REFER TO CH00-0250-008  
 FINISH \_\_\_\_\_  
 REFER TO CH00-0250-008  
 ANGLE \_\_\_\_\_  
 DASH NUMBER (TABLE 1) \_\_\_\_\_  
 ENTRY SIZE (TABLE 2) \_\_\_\_\_  
 RING OPTION \_\_\_\_\_  
 AI - TO SUIT SINGLE BRAID  
 BI - TO SUIT DOUBLE BRAID  
 FOR TX, LEAVE BLANK  
 MODIFICATION CODE \_\_\_\_\_  
 REFER TO CH00-0250-008 <sup>2</sup>

### NOTES:

1. THIS PRODUCT IS DESIGNED TO TERMINATE A BRAIDED CABLE SHIELD AND A HEAT SHRINKABLE LIPPED BOOT TO A CONNECTOR.

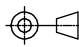


<sup>2</sup> FOR ADDITIONAL DIMENSIONS, ORDERING INFORMATION AND MODIFICATIONS, SEE CH00-0250-008.

<sup>3</sup> SEE DRAWING TR FOR DETAIL ON TINEL-LOCK RING, RINGS ARE DESIGNED TO BE HEATED ELECTRICALLY, ALL RINGS ARE MARKED WITH THERMOCHROMIC PAINT WHICH CHANGES COLOUR WHEN INSTALLATION TEMPERATURE IS REACHED.

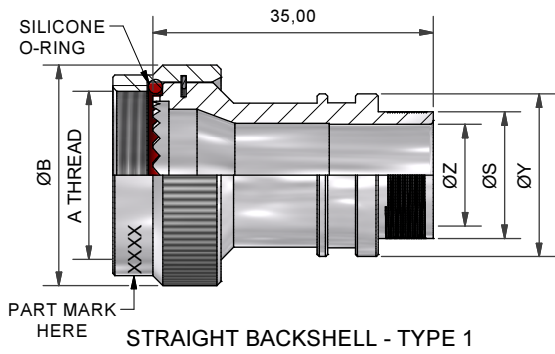
4. BACKSHELL TO BE PERMANENTLY MARKED/BAGGED AND LABELLED WITH CODE IDENTIFICATION NUMBER AND PART NUMBER LESS RING DESIGNATOR. (e.g. 06090-TXR64AB00-1406). RING SHALL BEAR NO MARKING.

<sup>5</sup> IF MAX ENTRY IS EXCEEDED, A 2 PIECE BACKSHELL ASSEMBLY (TYPE 2) IS SUPPLIED.

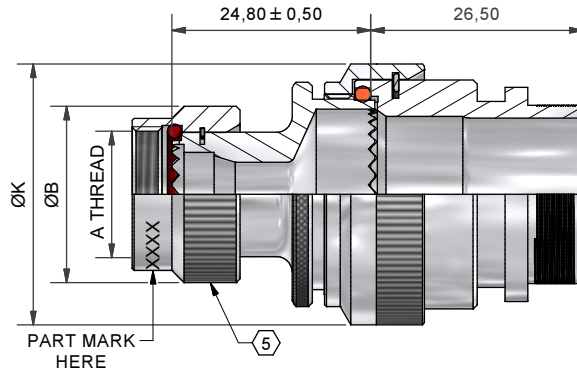
6. BACKSHELL MATES TO VEAM "CIR" SERIES CONNECTORS, LESS ENDBELL.

DRAWN	K.WINCZURA	DATE 16/12/2014	 3RD ANGLE PROJECTION NOT TO SCALE	TITLE:  TINEL-LOCK BACKSHELL	 Polanco 
CHECKED		16/12/2014			
APPROVED	K.SHEPPARD	19/12/2014		UNLESS OTHERWISE SPECIFIED ALL DIMENSIONS IN MILLIMETRES GENERAL TOL LINEAR +/-0.25MM ANGULAR +/- 1°	
APPROVED	H.SMITH	17/07/2015			
REVISIONS					
LTR	DESCRIPTION	DATE	APPROVED		
F	REVISED PER ECO-15-002352	18/02/2015	H.SMITH		
G	REVISED PER ECO-15-010492	17/07/2015	H.SMITH		
TE CAGE CODE: 06090 POLAMCO/TE CAGE CODE: U5792				TE CONNECTIVITY - POLAMCO LTD RESERVES THE RIGHT TO AMEND THIS DRAWING AND THE INFORMATION SET FORTH HEREON AT ANY TIME. USERS SHOULD INDEPENDENTLY EVALUATE THE SUITABILITY OF THE PRODUCT FOR THEIR APPLICATION.	DRAWING NO: <b>TXR64</b>
				DRAWING REV: <b>G</b>	SHT <b>1</b>

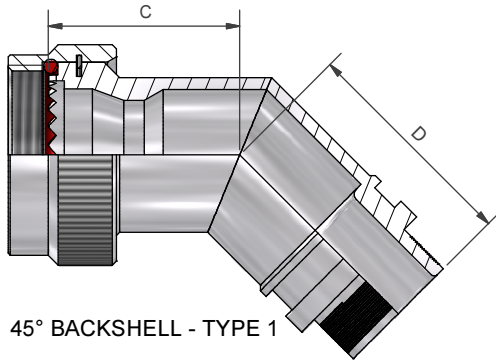
IF MAX ENTRY IS EXCEEDED BACKSHELL  
WILL BE SUPPLIED AS TYPE 2



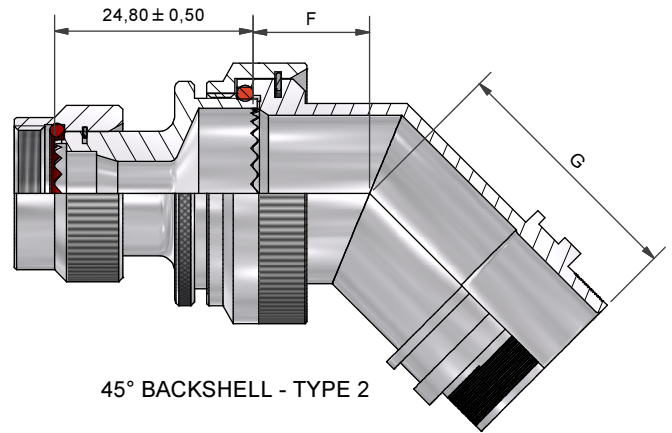
STRAIGHT BACKSHELL - TYPE 1



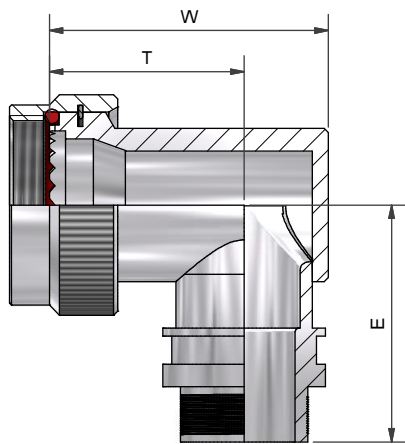
STRAIGHT BACKSHELL - TYPE 2



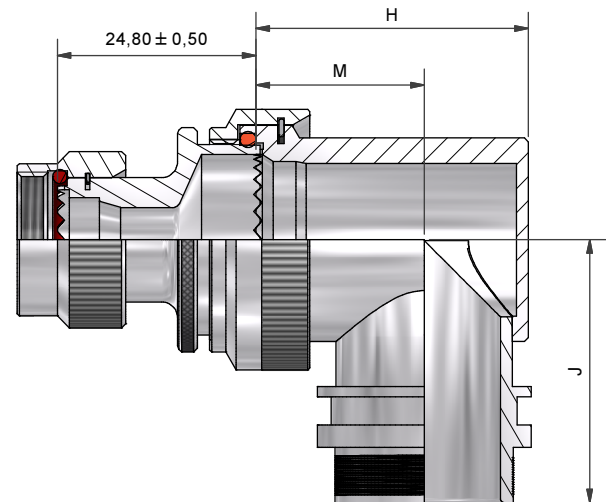
45° BACKSHELL - TYPE 1



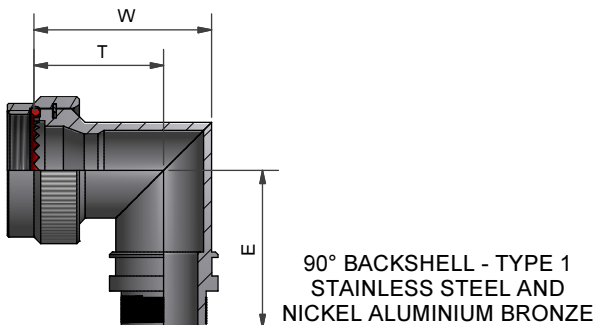
45° BACKSHELL - TYPE 2



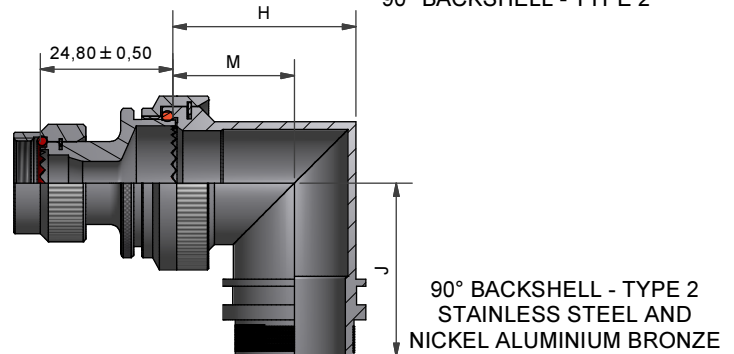
90° BACKSHELL - TYPE 1



90° BACKSHELL - TYPE 2



90° BACKSHELL - TYPE 1  
STAINLESS STEEL AND  
NICKEL ALUMINIUM BRONZE



90° BACKSHELL - TYPE 2  
STAINLESS STEEL AND  
NICKEL ALUMINIUM BRONZE

DRAWN	K.WINCZURA	DATE	16/12/2014
CHECKED		DATE	16/12/2014
APPROVED	K.SHEPPARD	DATE	19/12/2014
APPROVED	H.SMITH	DATE	17/07/2015



3RD ANGLE  
PROJECTION  
NOT TO  
SCALE

UNLESS OTHERWISE SPECIFIED  
ALL DIMENSIONS IN MILLIMETRES  
GENERAL TOL  
LINEAR +/-0.25MM  
ANGULAR +/- 1°

REVISIONS

LTR	DESCRIPTION	DATE	APPROVED
F	REVISED PER ECO-15-002352	18/02/2015	H.SMITH
G	REVISED PER ECO-15-010492	17/07/2015	H.SMITH

TITLE:

TINEL-LOCK BACKSHELL

ASSY USED ON:

VEAM "CIR" SERIES, LESS ENDBELL

TE CONNECTIVITY - POLAMCO LTD RESERVES THE RIGHT TO AMEND THIS DRAWING  
AND THE INFORMATION SET FORTH HEREON AT ANY TIME. USERS SHOULD  
INDEPENDENTLY EVALUATE THE SUITABILITY OF THE PRODUCT FOR THEIR APPLICATION.

DRAWING NO:  
TXR64

DRAWING REV:  
G

SHT  
2

TE CAGE CODE: 06090  
POLAMCO/TE CAGE CODE: U5792



Polamco

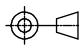




TABLE 1

ORDER NO.	SHELL SIZE	A THREAD	ØB MAX	MAX ENTRY	C ±0,5	D ±0,5	W ±0,5	T ±0,5	E ±0,5	THESE DIMENSIONS APPLY IF BACKSHELL IS STAINLESS STEEL OR NICKEL ALUMINIUM BRONZE		
										W MAX	T ±0,5	E ±0,5
11	10SL	5/8 - 24UNEF	23,1	05	20,3	27,5	29,7	22,0	26,50	30,2	22,0	28,2
14	14S	3/4 - 20UNEF	26,4	06	21,3	28,0	32,8	23,8	27,95	33,3	23,8	28,2
16	16, 16S	7/8 - 20UNEF	31,0	08	23,1	29,0	34,8	24,3	29,45	35,3	24,3	29,7
18	18	1 - 20UNEF	34,3	10	24,6	29,7	39,1	27,1	31,00	39,6	27,1	31,2
20	20	1 1/8 - 18UNEF	37,4	12	25,9	30,5	41,4	27,4	32,70	41,9	27,4	32,9
22	22	1 1/4 - 18UNEF	40,6	12	26,4	30,9	45,0	29,5	34,25	45,5	29,5	34,5
24	24	1 3/8 - 18UNEF	43,7	14	27,2	31,1	48,3	31,3	35,80	48,8	31,3	36,1
28	28	1 5/8 - 18UNEF	50,0	16	27,7	32,1	52,3	32,7	38,90	52,8	32,7	39,1
32	32	1 7/8 - 16UN	56,4	20	29,2	31,4	58,4	35,6	42,00	58,9	35,6	48,4
36	36	2 1/16 - 16UNS	62,7	22	30,5	32,3	64,5	39,5	44,70	65,0	39,5	51,4
40	40	2 5/16 - 16UNS	69,1	28	32,0	35,2	73,2	44,2	49,10	73,7	44,2	57,7

TABLE 2

ENTRY SIZE	ØZ MIN	ØS	ØY ±0,3	ØK MAX	F ±0,5	G ±0,5	H ±0,5	M ±0,5	J ±0,5	THESE DIMENSIONS APPLY IF BACKSHELL IS STAINLESS STEEL OR NICKEL ALUMINIUM BRONZE		
										H ±0,5	M ±0,5	J ±0,5
04	6,35	9,49 +/-0,04	14,00	NA	NA	NA	NA	NA	NA	NA	NA	NA
05	7,92	11,06 +/-0,04	15,50	NA	NA	NA	NA	NA	NA	NA	NA	NA
06	9,53	12,66 +/-0,04	17,10	21,0	12,5	27,5	24,0	15,5	27,95	24,3	17,2	28,2
07	11,10	14,21 +/-0,07	18,70	21,0	12,5	27,5	24,0	15,5	27,95	24,3	17,2	28,2
08	12,70	15,81 +/-0,07	20,30	24,5	13,1	28,0	27,0	17,0	29,45	28,3	19,4	29,7
10	15,88	18,96 +/-0,08	23,50	29,0	13,5	29,0	31,0	19,5	31,00	31,1	21,0	31,2
12	19,05	22,14 +/-0,08	26,70	32,5	14,5	29,7	34,0	21,0	32,70	34,2	22,8	32,9
14	22,23	25,30 +/-0,08	29,80	35,5	15,5	30,5	35,0	20,0	34,25	38,5	25,3	34,5
16	25,40	28,48 +/-0,08	33,00	37,0	16,1	30,9	38,0	21,5	35,80	40,7	26,1	36,1
18	28,58	31,65 +/-0,08	36,20	40,0	16,5	31,1	42,0	24,0	37,40	43,7	27,6	37,6
20	31,75	34,83 +/-0,08	39,40	43,5	17,0	32,1	45,0	25,5	38,90	46,4	29,1	39,1
22	34,93	37,98 +/-0,08	42,50	48,5	18,5	35,3	54,5	31,0	42,00	50,0	31,0	42,0
24	38,10	41,15 +/-0,08	45,70	52,1	21,9	38,1	58,0	33,0	46,00	53,5	33,0	46,0
28	44,45	47,50 +/-0,08	52,00	58,5	26,9	44,4	65,5	36,5	51,1	60,3	36,5	51,1

DRAWN	K.WINCZURA	DATE	16/12/2014	 3RD ANGLE PROJECTION NOT TO SCALE	<b>TITLE:</b>  <b>TINEL-LOCK BACKSHELL</b>	 Polanco		
CHECKED		DATE	16/12/2014					
APPROVED	K.SHEPPARD	DATE	19/12/2014				UNLESS OTHERWISE SPECIFIED ALL DIMENSIONS IN MILLIMETRES GENERAL TOL LINEAR +/-0,25MM ANGULAR +/- 1°	
APPROVED	H.SMITH	DATE	17/07/2015					
<b>REVISIONS</b>					<b>ASSY USED ON:</b>  <b>VEAM "CIR" SERIES, LESS ENDBELL</b>	 TE connectivity		
LTR	DESCRIPTION	DATE	APPROVED					
F	REVISED PER ECO-15-002352	18/02/2015	H.SMITH					
G	REVISED PER ECO-15-010492	17/07/2015	H.SMITH					
TE CAGE CODE: 06090 POLAMCO/TE CAGE CODE: U5792					TE CONNECTIVITY - POLAMCO LTD RESERVES THE RIGHT TO AMEND THIS DRAWING AND THE INFORMATION SET FORTH HEREON AT ANY TIME. USERS SHOULD INDEPENDENTLY EVALUATE THE SUITABILITY OF THE PRODUCT FOR THEIR APPLICATION.	DRAWING NO: <b>TXR64</b>	DRAWING REV: <b>G</b>	SHT <b>3</b>

## X-ON Electronics

Largest Supplier of Electrical and Electronic Components

*Click to view similar products for [Circular MIL Spec Strain Reliefs & Adapters](#) category:*

*Click to view products by [TE Connectivity](#) manufacturer:*

Other Similar products are found below :

[896227-000](#) [899170S004](#) [6000-063-0022](#) [613751-000](#) [CS6624-000](#) [620AB038Z136](#) [620AS001Z108](#) [620AS038Z112](#) [620AS038Z120](#)  
[620AS038Z132](#) [620FB038NF08](#) [620HA038NF13](#) [620HA038NF25](#) [620HA042XM13](#) [620HB049NF17](#) [620HS011NF21](#) [620HS038NF11](#)  
[620HS038Z121](#) [620HS042XM19](#) [620HS042XM25](#) [620HS042XW13](#) [620HS048B17](#) [620MS064NF09](#) [620MS064NF12](#) [620MS065M12](#)  
[620MS065Z107](#) [620MS065ZNU06](#) [630J041M06H](#) [630J041M20H](#) [637S010NF0212H](#) [640830-000](#) [659943-000](#) [66241-10A](#) [CW0597-000](#)  
[CW0598-000](#) [CW0948-000](#) [CY0122-000](#) [M85049/41-6A W/B](#) [M85049/42-12DS](#) [M85049/47N8](#) [M85049/47W18](#) [M85049/51-1-14S](#)  
[M85049/51-1-8W](#) [M85049/51S16S](#) [M85049/60-1N16](#) [M85049/60-2G12W](#) [M85049/69-11N](#) [CZ3661-000](#) [D02922-000](#) [70.360.1628.0](#)