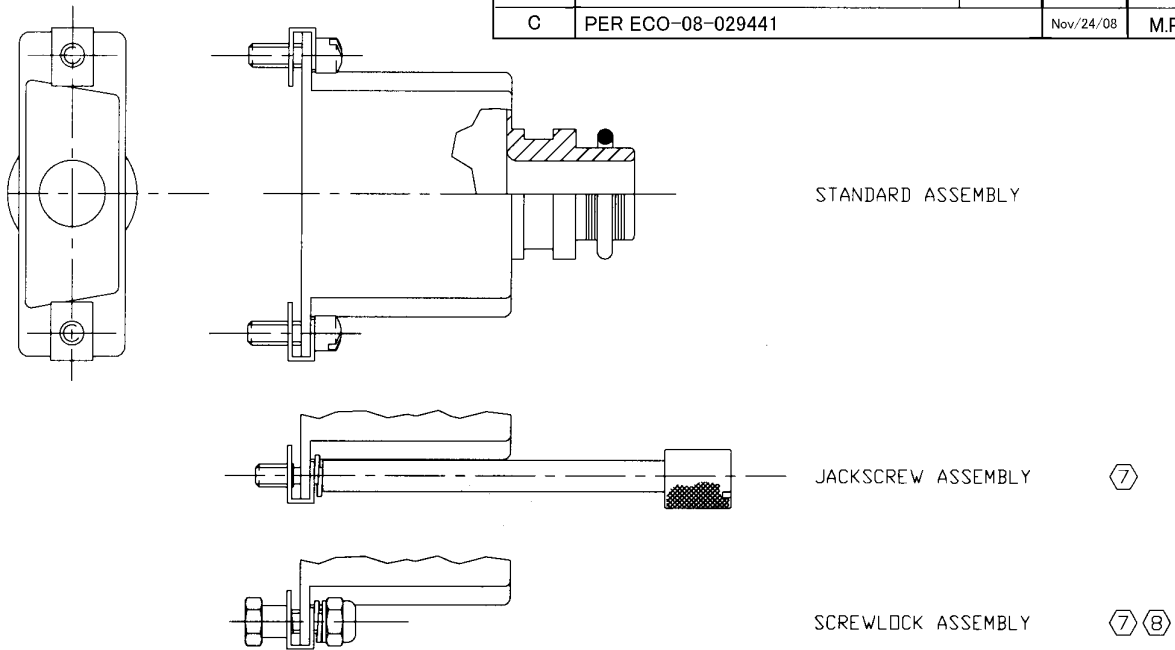


ISSUE	DESCRIPTION	DRAWN	DATE	APPR
B	CR A 0285	IRT	FEB 00	KJW
C	PER ECO-08-029441		Nov/24/08	M.P.



D-SUBMINIATURE TINEL-LOCK ADAPTER

NOTES

1. THIS PRODUCT IS DESIGNED TO TERMINATE A BRAIDED CABLE SHIELD AND A HEAT SHRINKABLE LIPPED BOOT TO A D-SUBMINIATURE CONNECTOR - SEE NOTE 6.
- ② SEE SHEETS 2, 3 AND 4 FOR TABLES OF DIMENSIONS, AND SHEET 5 FOR PART NUMBERING SYSTEM AND ORDERING INFORMATION.
- ③ SEE DRAWING TR FOR DETAIL ON TINEL-LOCK RING. RINGS ARE DESIGNED TO BE HEATED ELECTRICALLY. ALL RINGS ARE MARKED WITH THERMOCHROMIC PAINT WHICH CHANGES COLOUR WHEN INSTALLATION TEMPERATURE IS REACHED.
4. ADAPTER TO BE PERMANENTLY MARKED WITH CODE IDENTIFICATION NUMBER AND PART NUMBER LESS RING DESIGNATOR. (e.g. 06090 TXS55-AC00-1505). RINGS SHALL BEAR NO MARKING.
5. TINEL-LOCK RING IS TO BE SPECIFIED IN PART NUMBER WHEN ORDERING.
- ⑥ ADAPTER MATES TO MIL-DTL-24308 SERIES CONNECTORS.
- ⑦ ALTERNATIVE FASTENING HARDWARE SUPPLIED FOR 00 AND 90 ADAPTER ASSEMBLIES.
- ⑧ ALTERNATIVE FASTENING HARDWARE SUPPLIED FOR 45 ADAPTER ASSEMBLIES.
9. NON-STANDARD ENTRY SIZES ARE AVAILABLE ON REQUEST.
10. FOR ALTERNATIVE MATERIALS/FINISHES - CONTACT TYCO ELECTRONICS.
11. 45° AND 90° ADAPTER ASSEMBLIES HAVE UN-POLARIZED SHELLS. CABLE ENTRIES ARE REVERSIBLE.

© 2008 Tyco Electronics Corporation All Rights Reserved.

CUSTOMER DRAWING

THIRD ANGLE PROJECTION		CAD NAME: TXS55	TYCO ELECTRONICS	Raychem Adapters 300 CONSTITUTION DRIVE MENLO PARK, CA 94025 U.S.A.
DO NOT SCALE THIS DRAWING		THIS DRAWING AND THE INFORMATION SET FORTH HEREON ARE THE PROPERTY OF TYCO ELECTRONICS AND ARE TO BE HELD IN TRUST AND CONFIDENCE. PUBLICATION, DUPLICATION, DISCLOSURE OR USE FOR ANY OTHER PURPOSE NOT EXPRESSLY AUTHORISED IN WRITING BY TYCO ELECTRONICS IS PROHIBITED.	TITLE TINEL-LOCK ADAPTERS FOR D-SUBMINIATURE CONNECTORS	
DRAWN	IRT		DATE	JAN 98
CHECKED	KJW		DATE	JAN 98
APPROVED	KJW		DATE	JAN 98
PROJECT NO	85110	SIZE A	CAGE CODE: 06090	DRAWING NUMBER TXS55
			SHEET 1 OF 5	REV: C

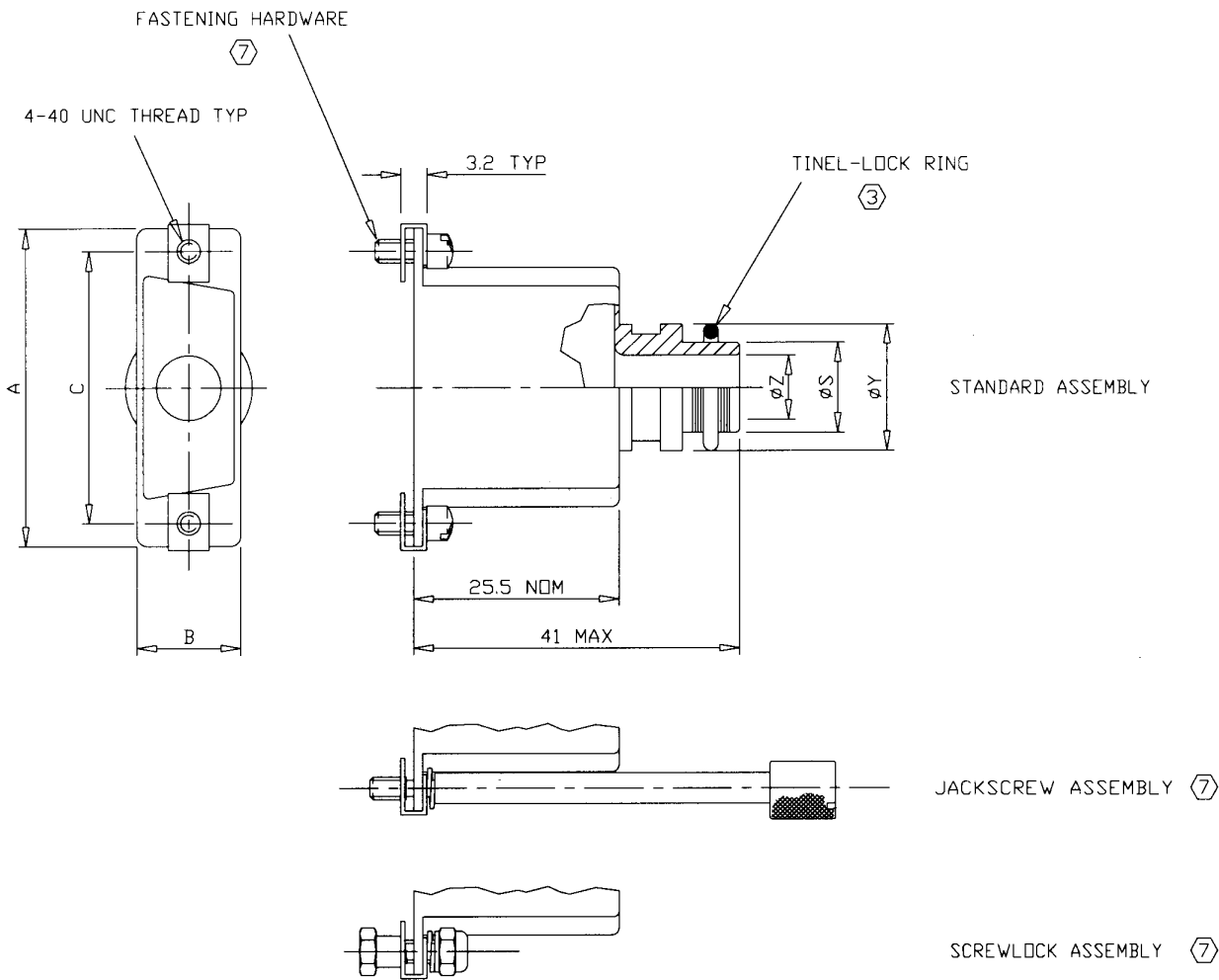


TABLE I

ORDER NUMBER	STD ENTRY SIZE	A ±.03 [±0.75]	B ±.015 [±0.4]	C ±.004 [±0.1]
09	04	1.21 [30.75]	.49 [12.5]	.98 [25.0]
15	05	1.54 [39.00]	.49 [12.5]	1.31 [33.3]
25	05	2.09 [53.00]	.49 [12.5]	1.85 [47.0]
37	06	2.73 [69.25]	.49 [12.5]	2.5 [63.5]
50	07	2.64 [67.00]	.61 [15.5]	2.41 [61.1]

TABLE II

ENTRY SIZE	ØZ +.010 -.020 [+0.25] [-0.50]	ØS .370/.376 [9.39/9.56]	ØY ±.015 [±0.38]
04	.250 [6.35]	.370/.376 [9.39/9.56]	.550 [14.00]
05	.312 [7.92]	.432/.438 [10.97/11.13]	.612 [15.54]
06	.375 [9.52]	.495/.501 [12.57/12.73]	.675 [17.14]
07	.437 [11.09]	.556/.563 [14.12/14.31]	.737 [18.71]

TINEL-LOCK (00) STRAIGHT ADAPTER

CUSTOMER DRAWING

THIRD ANGLE PROJECTION		CAD NAME:	SIZE	CAGE CODE:	DRAWING NUMBER	REV:
		TXS55	A	06090	TXS55	C

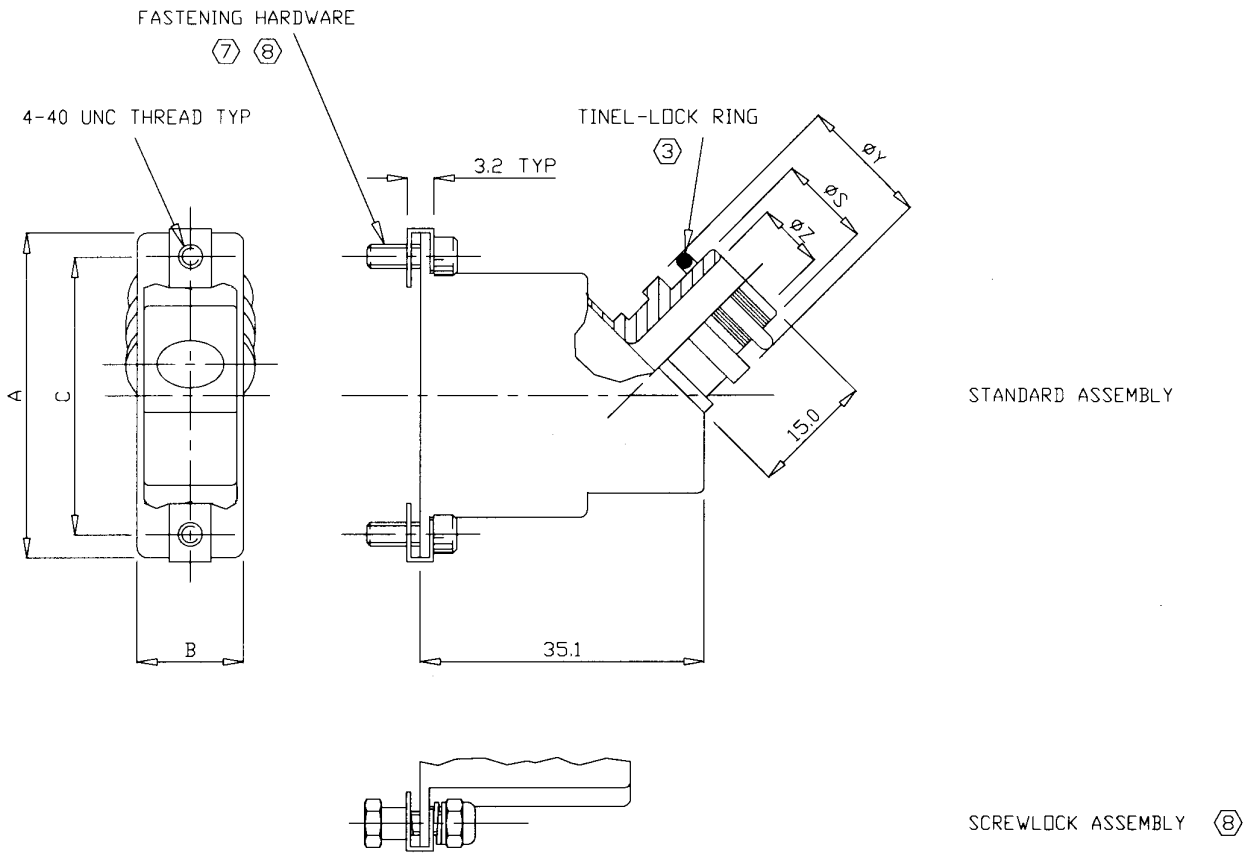


TABLE I

ORDER NUMBER (6)	STD ENTRY SIZE	A ±.03 [±0.75]	B ±.015 [±0.4]	C ±.004 [±0.1]
09	04	1.21 [30.75]	.49 [12.5]	.98 [25.0]
15	05	1.54 [39.00]	.49 [12.5]	1.31 [33.3]
25	05	2.09 [53.00]	.49 [12.5]	1.85 [47.0]
37	06	2.73 [69.25]	.49 [12.5]	2.5 [63.5]
50	07	2.64 [67.00]	.61 [15.5]	2.41 [61.1]

TABLE II

ENTRY SIZE (2)	øZ +.010 -0.020 [+0.25] [-0.50]	øS	øY ±.015 [±0.38]
04	.250 [6.35]	.370/.376 [9.39/9.56]	.550 [14.00]
05	.312 [7.92]	.432/.438 [10.97/11.13]	.612 [15.54]
06	.375 [9.52]	.495/.501 [12.57/12.73]	.675 [17.14]
07	.437 [11.09]	.556/.563 [14.12/14.31]	.737 [18.71]

TINEL-LOCK 45° ADAPTER

CUSTOMER DRAWING

THIRD ANGLE PROJECTION	CAD NAME:	SIZE	CAGE CODE:	DRAWING NUMBER	REV:
	TXS55	A	06090	TXS55	C

SHEET 3 OF 5

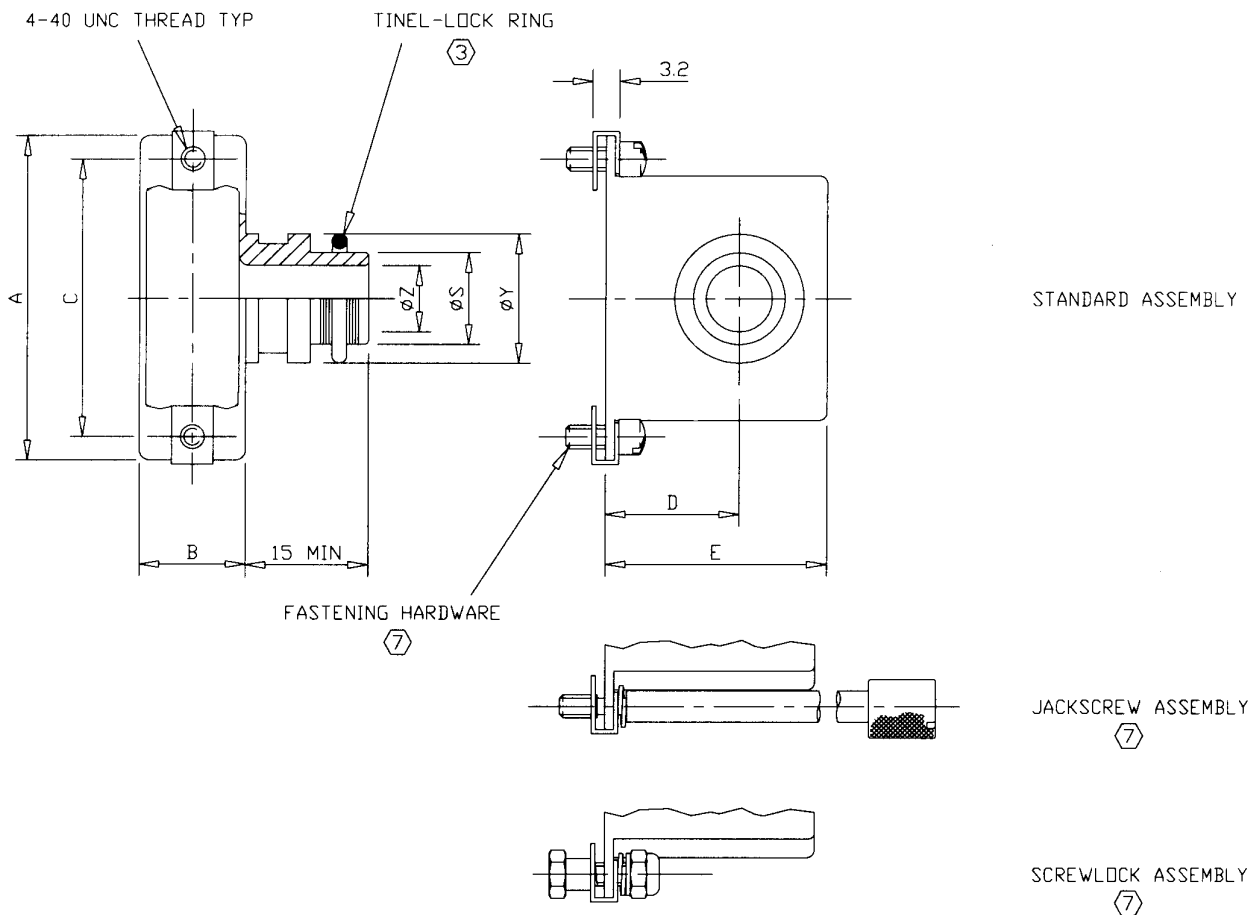


TABLE I

ORDER NUMBER	STD ENTRY SIZE	A ±.03 [±0.75]	B ±.015 [±0.4]	C ±.004 [±0.1]	D ±.010 [± 0.25]	E ±.010 [± 0.25]
09	04	1.21 [30.75]	.49 [12.5]	.98 [25.0]	.62 [15.7]	1.00 [25.4]
15	05	1.54 [39.00]	.49 [12.5]	1.31 [33.3]	.65 [16.5]	1.06 [26.9]
25	05	2.09 [53.00]	.49 [12.5]	1.85 [47.0]	.65 [16.5]	1.06 [26.9]
37	06	2.73 [69.25]	.49 [12.5]	2.5 [63.5]	.69 [17.5]	1.14 [28.9]
50	07	2.64 [67.00]	.61 [15.5]	2.41 [61.1]	.71 [18.0]	1.18 [30.0]

TABLE II

ENTRY SIZE	ØZ +.010 -.020 [+0.25] [-0.50]	ØS	ØY ±.015 [±0.38]
04	.250 [6.35]	.370/.376 [9.39/9.56]	.550 [14.00]
05	.312 [7.92]	.432/.438 [10.97/11.13]	.612 [15.54]
06	.375 [9.52]	.495/.501 [12.57/12.73]	.675 [17.14]
07	.437 [11.09]	.556/.563 [14.12/14.31]	.737 [18.71]

TINEL-LOCK 90° ADAPTER

CUSTOMER DRAWING

THIRD ANGLE PROJECTION		CAD NAME:	SIZE	CAGE CODE:	DRAWING NUMBER	REV:
		TXS55	A	06090	TXS55	C

PART NUMBERING SYSTEM

TXS 55 A C 00-15 05 A I-J H

PRODUCT DESIGNATOR _____

SEQUENTIAL NUMBER _____

MATERIAL _____

A: ALUMINIUM ALLOY
(FASTENING HARDWARE: PASSIVATED STAINLESS STEEL OR NICKEL PLATED STEEL OR NICKEL PLATED BRASS)

FINISH _____

A: CADMIUM PLATE PER QQ-P-416, TYPE II, CLASS 3 - OLIVE DRAB
B: CADMIUM PLATE PER QQ-P-416, TYPE II, CLASS 3 - OLIVE DRAB OVER ELECTROLESS NICKEL (500HR SALT SPRAY RESISTANCE)
C: ELECTROLESS NICKEL PER MIL-C-26074, CLASS 3 OR 4, GRADE B

00: STRAIGHT ADAPTER
45: 45° ADAPTER (END ONLY)
90: 90° ADAPTER (SIDE ONLY)

⑥ ORDER NUMBER _____

② ENTRY SIZE _____

BRAID DESIGNATOR _____

A: SINGLE LAYER 36 AWG
B: SINGLE LAYER 30 AWG
DOUBLE LAYER 36 AWG

RING WITH INSULATING LINING _____

⑦ FASTENING HARDWARE - OMIT FOR STANDARD ASSEMBLIES _____

J: JACKSCREW ASSEMBLY
S: SCREWLOCK ASSEMBLY


MODIFICATION OPTION _____

H: HELICAL CONDUIT THREAD
(SEE CH00-0250-008 SHEET 5)

TINEL-LOCK ADAPTER

© 2008 Tyco Electronics Corporation All Rights Reserved.

CUSTOMER DRAWING

THIRD ANGLE PROJECTION		CAD NAME:	SIZE	CAGE CODE:	DRAWING NUMBER	REV:
		TXS55	A	06090	TXS55	C

SHEET 5 OF 5

X-ON Electronics

Largest Supplier of Electrical and Electronic Components

Click to view similar products for [Circular MIL Spec Strain Reliefs & Adapters](#) category:

Click to view products by [TE Connectivity](#) manufacturer:

Other Similar products are found below :

[896227-000](#) [899170S004](#) [6000-063-0022](#) [613751-000](#) [CS6624-000](#) [620AB038Z136](#) [620AS001Z108](#) [620AS038Z112](#) [620AS038Z120](#)
[620AS038Z132](#) [620FB038NF08](#) [620HA038NF13](#) [620HA038NF25](#) [620HA042XM13](#) [620HB049NF17](#) [620HS011NF21](#) [620HS038NF11](#)
[620HS038Z121](#) [620HS042XM19](#) [620HS042XM25](#) [620HS042XW13](#) [620HS048B17](#) [620MS064NF09](#) [620MS064NF12](#) [620MS065M12](#)
[620MS065Z107](#) [620MS065ZNU06](#) [630J041M06H](#) [630J041M20H](#) [637S010NF0212H](#) [640830-000](#) [659943-000](#) [66241-10A](#) [CW0597-000](#)
[CW0598-000](#) [CW0948-000](#) [CY0122-000](#) [M85049/41-6A W/B](#) [M85049/42-12DS](#) [M85049/47N8](#) [M85049/47W18](#) [M85049/51-1-14S](#)
[M85049/51-1-8W](#) [M85049/51S16S](#) [M85049/60-1N16](#) [M85049/60-2G12W](#) [M85049/69-11N](#) [CZ3661-000](#) [D02922-000](#) [70.360.1628.0](#)