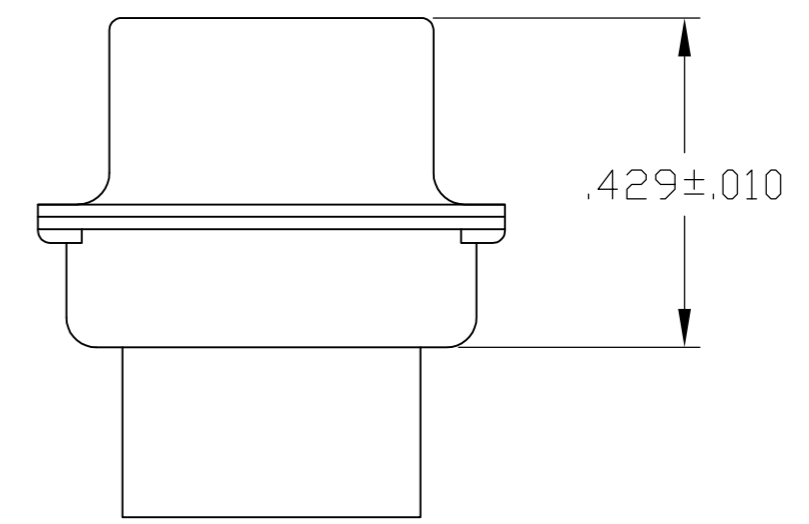
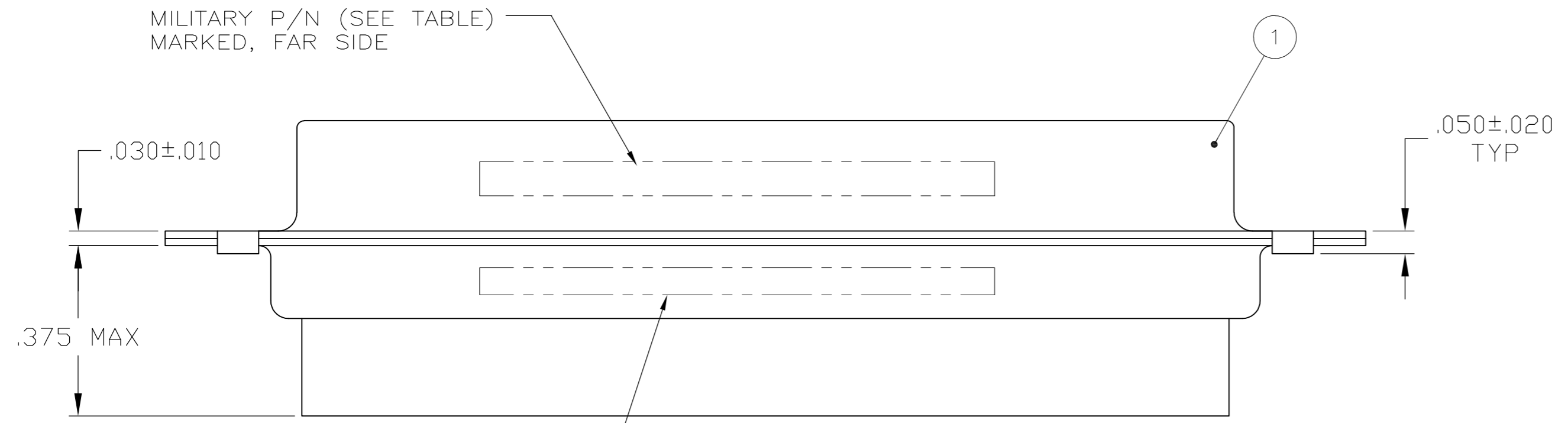
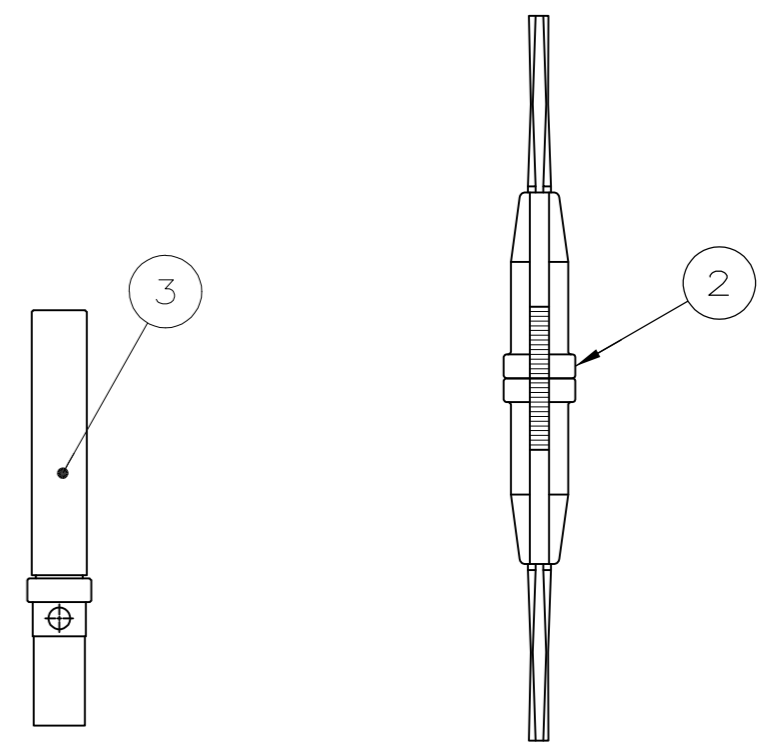
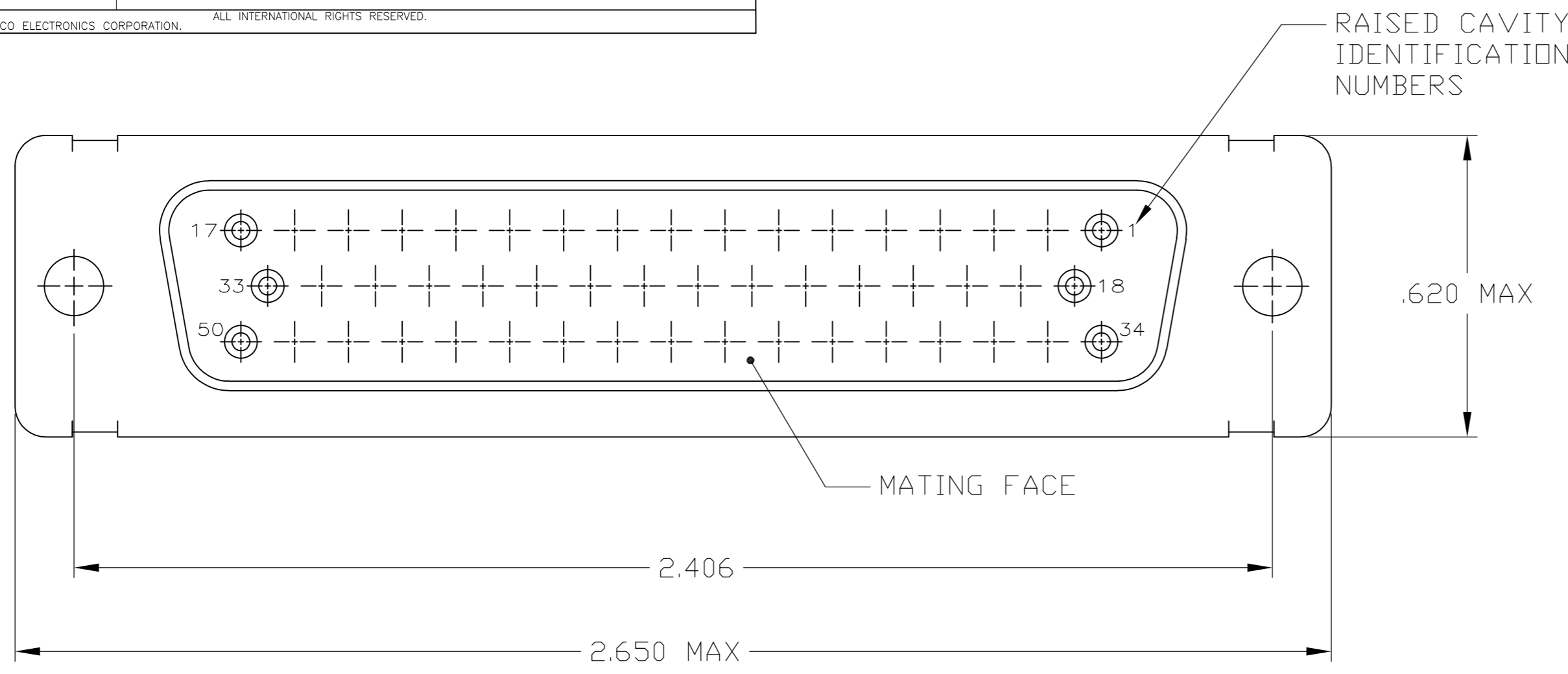


THIS DRAWING IS UNPUBLISHED. RELEASED FOR PUBLICATION  
 © COPYRIGHT BY TYCO ELECTRONICS CORPORATION. ALL INTERNATIONAL RIGHTS RESERVED.

LOC	DIST	REVISIONS			
P	LTR	DESCRIPTION	DATE	DWN	APVD
-	-	H	REV PER ECO 09-016309	9-1-09	CT RL



MFG'S NAME, BRAND OR LOGO AND DATE CODE MARKED, FAR SIDE

SUPERSEDED BY 206805-2 & 206973-1 & 91067-2	205563-5	M24308/6-10F	205090-1	91067-2	205169-2	205563-5
SUPERSEDED BY 206805-2 AND 206793-1	205563-4	M24308/6-5F	205090-1	-	205169-2	205563-4
	205563-3	M24308/2-10F	205090-1	91067-2	205169-1	205563-3
	205563-2	M24308/2-5F	205090-1	-	205169-1	205563-2
SUPERSEDED BY 205169-2 AND 91067-2	205563-1	-	-	91067-2	205169-1	205563-1

TE P/N MARKED ON PACKAGE	MILITARY P/N MARKED ON PACKAGE	SOCKET CONTACT QTY. = 50	INSERTION/EXTRACTION TOOL QTY. = 1	RECEPTACLE ASSY QTY. = 1	PART NUMBER
--------------------------	--------------------------------	--------------------------	------------------------------------	--------------------------	-------------

1 FOR CONNECTOR ASSEMBLIES WITHOUT CONTACTS, TE CONTACT PART NOS. 205090-1 MUST BE ORDERED SEPARATELY. CONNECTORS WITH CONTACTS ARE SUPPLIED WITH CONTACT 205090-1

THIS DRAWING IS A CONTROLLED DOCUMENT.

DWN P. YEAGER 10MAR09	Tyco Electronics Corporation Harrisburg, PA 17105-3608
CHK R. LEASE 12MAR09	
APVD R. LEASE 12MAR09	
PRODUCT SPEC	
APPLICATION SPEC	NAME
WEIGHT	SIZE A2
CUSTOMER DRAWING	CAGE CODE 00779
	DRAWING NO C=205563
	RESTRICTED TO
	SCALE 4:1
	SHEET 1 of 1
	REV H

## X-ON Electronics

Largest Supplier of Electrical and Electronic Components

*Click to view similar products for [D-Sub MIL Spec Connectors](#) category:*

*Click to view products by [TE Connectivity](#) manufacturer:*

Other Similar products are found below :

[M85049/50-5F](#) [D38999/24WG11PB-LC](#) [MDM-9SH006A](#) [850-056-0812](#) [1218697-4](#) [D38999/26WJ61PC L/C](#) [1484349-1](#) [17D25HV](#)  
[1996840-1](#) [243082-15](#) [1757682-1](#) [17D-E51218-1](#) [17SDA15S](#) [1883533-1](#) [1883886-1](#) [1883889-1](#) [192900-0377](#) [M24308/8-347](#) [M83513/03-](#)  
[E09C](#) [443961-3](#) [5-1218949-1](#) [550-031NF1R6K](#) [3-1236089-2](#) [550E001NF1R3J0L](#) [550T001NF1R6K0L](#) [557T283NF5B08](#) [DC121073157](#)  
[443869-3](#) [443869-4](#) [443869-5](#) [550S004NF1R1B0F03](#) [557E283NF1A06](#) [527-019NF0303R2K1F](#) [5-446405-1](#) [550-031NF1R2E](#)  
[550E003M2R9J0F04](#) [550E003M3R9J0F05](#) [550E024M104R9J0](#) [550E024NF102R3J0B](#) [550E039NF1R3J1-02](#) [550S003M3R9B0F05](#)  
[550S004M4R7M0F04](#) [550S004NF1R1B1F02](#) [550S008M3F0K0F04](#) [550S086M5R3J0L](#) [550S100NF3F0E](#) [550T001M2R7E0L](#)  
[550T001NF1F0B1L](#) [550T001NF1R1K0G](#) [550T001NF1R3K0G](#)