

THIS DRAWING IS UNPUBLISHED. RELEASED FOR PUBLICATION - . - .  
 © COPYRIGHT - By - ALL RIGHTS RESERVED.

| REVISIONS |     |                           |           |     |      |
|-----------|-----|---------------------------|-----------|-----|------|
| P         | LTR | DESCRIPTION               | DATE      | DWN | APVD |
| B7        |     | REVISED PER ECO-12-002360 | 07FEB12   | KH  | PO   |
| B8        |     | REVISED PER ECO-16-017354 | 10MAR2017 | RK  | AS   |

Specifications

|                                 | UP01  | UP03  |
|---------------------------------|---|---|
| Rating                          | .1A @ 30 VDC                                    | 3A @ 125 VAC                                |
| UL/CuL rating                   | .1A @ 125 VAC                                   | 3A @ 125 VAC                                |
| Contact resistance, initial     | 100 milliohms max.                              |   |
| Insulation resistance           | 100 megohms min, 500 VDC, 1 minute hold         |   |
| Dielectric withstanding voltage | 1,000 VAC, 1 minute hold                        |   |
| Life expectancy, mechanical     | 1,000,000 cycles @ 200 cycles/min.              |   |
| Life expectancy, electrical     | 1,000,000 cycles @ 200 cycles/min., .1A @ 30VDC | 6,000 cycles @ 10 cycles/min., 3A @ 125 VAC |
| Operating temperature           | -40°C to +80°C (With no icing)                  |   |
| Storage temperature             | -25°C to +85°C                                  |   |
| Storage humidity                | 85% RH max.                                     |   |

Materials

| Finish   | Manufacturer  | Item Name       |
|--|---|-----------------|
|  | Nylon, 30% GF, Black, UL94 V-0                                | Housing         |
|  | PBT, 30% GF, Black, UL94V-0                                   | Cover           |
|  | Nylon, 30% GF, Gray, UL94V-0                                  | Button          |
|  | Brass   | Common Terminal |
| contact area: 3 microinches min. Au over 30-60 microinches Ni<br>solder area: 60 microinches min. SnCu over 30-60 microinches Ni | Brass (.1A rated parts)<br>Brass with silver inlay (3A parts) | NO Terminal     |
| contact area: 3 microinches min. Au over 30-60 microinches Ni<br>solder area: 60 microinches min. SnCu over 30-60 microinches Ni | Brass (.1A rated parts)<br>Brass with silver inlay (3A parts) | NC Terminal     |
| none   | Copper alloy with silver slug                                 | Spring contact  |

1 ALL MATERIAL AND FINISHES SHALL COMPLY WITH EU DIRECTIVE 2002/95/EC OF 27JAN2003 (ROHS).

2 PER TABULATION COLUMN RATING, UP AND AGENCY MARKINGS.

|                         | 10.1                            | .80                  | .6                  | 3                       | 7.9 +/- .8             | 5                        | 30         | straight | pcb right | SPDT   | 3A @ 125VAC        | UP3DTCNLB04  | 2-1825043-4 |
|-------------------------|---------------------------------|----------------------|---------------------|-------------------------|------------------------|--------------------------|------------|----------|-----------|--------|--------------------|--------------|-------------|
| OBSOLETE                | 10.1                            | .80                  | .6                  | 3                       | 7.9 +/- .8             | 8                        | 50         | straight | pcb right | SPDT   | 3A @ 125VAC        | UP3DTCNLA04  | 2-1825043-3 |
|                         | 7.35                            | .12                  | .2                  | .62                     | 6.9 +/- .3             | 21                       | 80         | none     | pcb right | SPDT   | 3A @ 125VAC        | UP3DTCOLB04  | 2-1825043-2 |
|                         | 7.35                            | .12                  | .2                  | .62                     | 6.9 +/- .3             | 35                       | 150        | none     | pcb right | SPDT   | 3A @ 125VAC        | UP3DTCOLA04  | 2-1825043-1 |
|                         | 10.1                            | .80                  | .6                  | 3                       | 7.9 +/- .8             | 5                        | 30         | straight | pcb left  | SPDT   | 3A @ 125VAC        | UP3DTBNLB04  | 2-1825043-0 |
|                         | 10.1                            | .80                  | .6                  | 3                       | 7.9 +/- .8             | 8                        | 50         | straight | pcb left  | SPDT   | 3A @ 125VAC        | UP3DTBNLA04  | 1-1825043-9 |
| OBSOLETE                | 7.35                            | .12                  | .2                  | .62                     | 6.9 +/- .3             | 21                       | 80         | none     | pcb left  | SPDT   | 3A @ 125VAC        | UP3DTBOLB04  | 1-1825043-8 |
|                         | 7.35                            | .12                  | .2                  | .62                     | 6.9 +/- .3             | 35                       | 150        | none     | pcb left  | SPDT   | 3A @ 125VAC        | UP3DTBOLA04  | 1-1825043-7 |
|                         | 10.1                            | .80                  | .6                  | 3                       | 7.9 +/- .8             | 5                        | 30         | straight | pcb       | SPDT   | 3A @ 125VAC        | UP3DTANLB04  | 1-1825043-6 |
|                         | 10.1                            | .80                  | .6                  | 3                       | 7.9 +/- .8             | 8                        | 50         | straight | pcb       | SPDT   | 3A @ 125VAC        | UP3DTANLA04  | 1-1825043-5 |
| OBSOLETE                | 7.35                            | .12                  | .2                  | .62                     | 6.9 +/- .3             | 21                       | 80         | none     | pcb       | SPDT   | 3A @ 125VAC        | UP3DTAOLB04  | 1-1825043-4 |
|                         | 7.35                            | .12                  | .2                  | .62                     | 6.9 +/- .3             | 35                       | 150        | none     | pcb       | SPDT   | 3A @ 125VAC        | UP3DTAOLA04  | 1-1825043-3 |
|                         | 10.1                            | .80                  | .6                  | 3                       | 7.9 +/- .8             | 5                        | 30         | straight | pcb right | SPDT   | .1A @ 125VAC/30VDC | UP01DTCNLB04 | 1-1825043-2 |
| OBSOLETE                | 10.1                            | .80                  | .6                  | 3                       | 7.9 +/- .8             | 8                        | 50         | straight | pcb right | SPDT   | .1A @ 125VAC/30VDC | UP01DTCNLA04 | 1-1825043-1 |
|                         | 7.35                            | .12                  | .2                  | .62                     | 6.9 +/- .3             | 21                       | 80         | none     | pcb right | SPDT   | .1A @ 125VAC/30VDC | UP01DTCOLB04 | 1-1825043-0 |
|                         | 7.35                            | .12                  | .2                  | .62                     | 6.9 +/- .3             | 35                       | 150        | none     | pcb right | SPDT   | .1A @ 125VAC/30VDC | UP01DTCOLA04 | 1825043-9   |
|                         | 10.1                            | .80                  | .6                  | 3                       | 7.9 +/- .8             | 5                        | 30         | straight | pcb left  | SPDT   | .1A @ 125VAC/30VDC | UP01DTBNLB04 | 1825043-8   |
|                         | 10.1                            | .80                  | .6                  | 3                       | 7.9 +/- .8             | 8                        | 50         | straight | pcb left  | SPDT   | .1A @ 125VAC/30VDC | UP01DTBNLA04 | 1825043-7   |
|                         | 7.35                            | .12                  | .2                  | .62                     | 6.9 +/- .3             | 21                       | 80         | none     | pcb left  | SPDT   | .1A @ 125VAC/30VDC | UP01DTBOLB04 | 1825043-6   |
| OBSOLETE                | 7.35                            | .12                  | .2                  | .62                     | 6.9 +/- .3             | 35                       | 150        | none     | pcb left  | SPDT   | .1A @ 125VAC/30VDC | UP01DTBOLA04 | 1825043-5   |
|                         | 10.1                            | .80                  | .6                  | 3                       | 7.9 +/- .8             | 5                        | 30         | straight | pcb       | SPDT   | .1A @ 125VAC/30VDC | UP01DTANLB04 | 1825043-4   |
|                         | 10.1                            | .80                  | .6                  | 3                       | 7.9 +/- .8             | 8                        | 50         | straight | pcb       | SPDT   | .1A @ 125VAC/30VDC | UP01DTANLA04 | 1825043-3   |
|                         | 7.35                            | .12                  | .2                  | .62                     | 6.9 +/- .3             | 21                       | 80         | none     | pcb       | SPDT   | .1A @ 125VAC/30VDC | UP01DTAOLB04 | 1825043-2   |
|                         | 7.35                            | .12                  | .2                  | .62                     | 6.9 +/- .3             | 35                       | 150        | none     | pcb       | SPDT   | .1A @ 125VAC/30VDC | UP01DTAOLA04 | 1825043-1   |
| Free Position max. (mm) | Movement Differential max. (mm) | Overtravel min. (mm) | Pretravel max. (mm) | Operating Position (mm) | Release Force min. (g) | Operating Force max. (g) | Lever Type | Terminal | Action    | Rating | Alco P/N           | Part Number  |             |

THIS DRAWING IS A CONTROLLED DOCUMENT.

DWN M.BINNER 31JAN2005  
 CHK M.ZITTO 31JAN2005  
 APVD M.ZITTO 31JAN2005

**STE** TE Connectivity

NAME SWITCH, SNAP ACTION, ULTRAMINIATURE

PRODUCT SPEC -  
 APPLICATION SPEC -

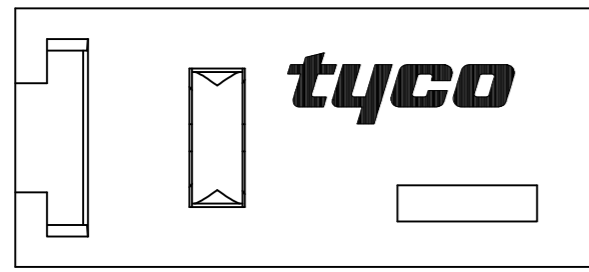
SIZE A2 CAGE CODE 00779 DRAWING NO C=1825043 RESTRICTED TO -

WEIGHT 0 SCALE 6:1 SHEET 1 of 2 REV B8

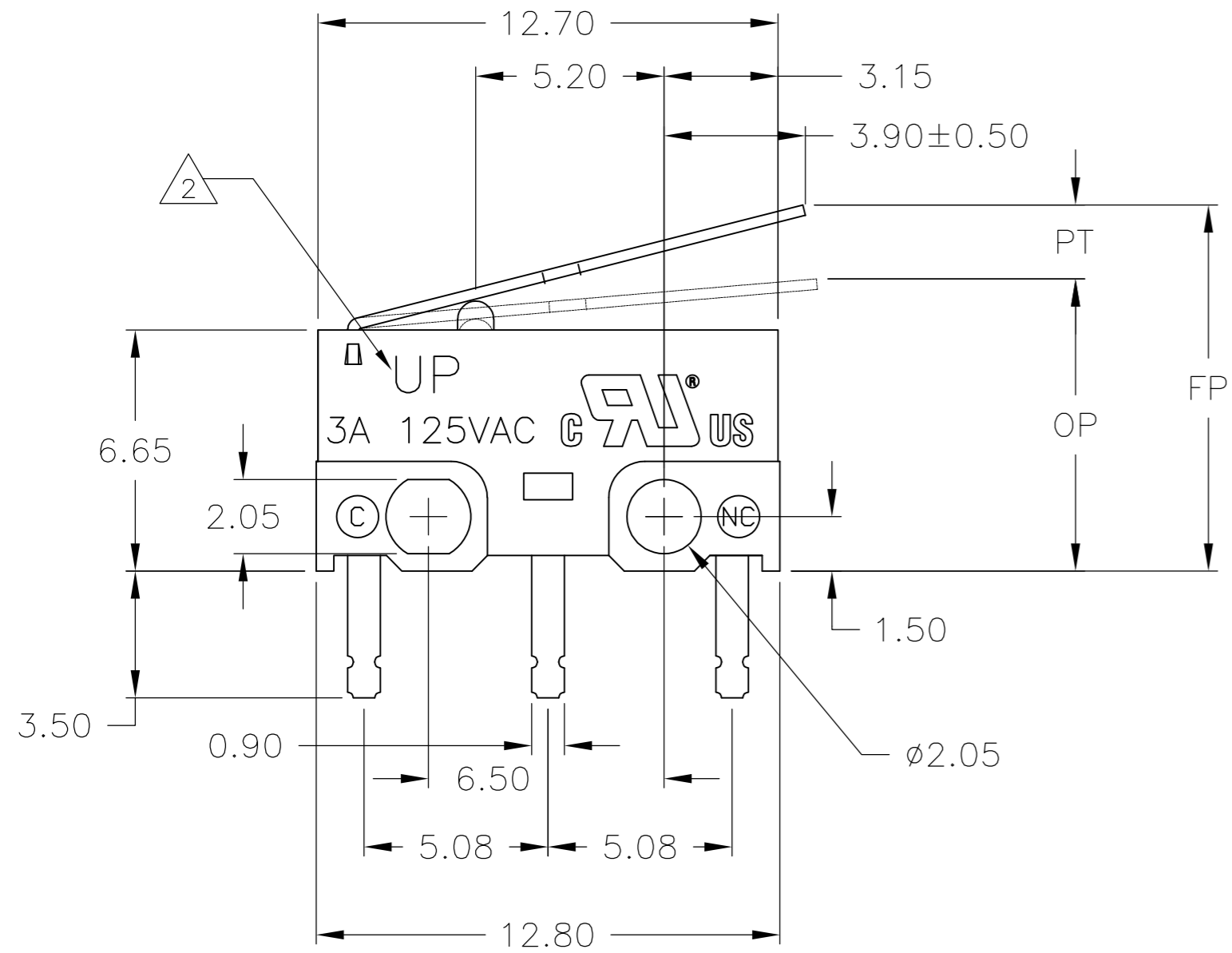
CUSTOMER DRAWING

THIS DRAWING IS UNPUBLISHED. RELEASED FOR PUBLICATION  
 © COPYRIGHT - By - ALL RIGHTS RESERVED.

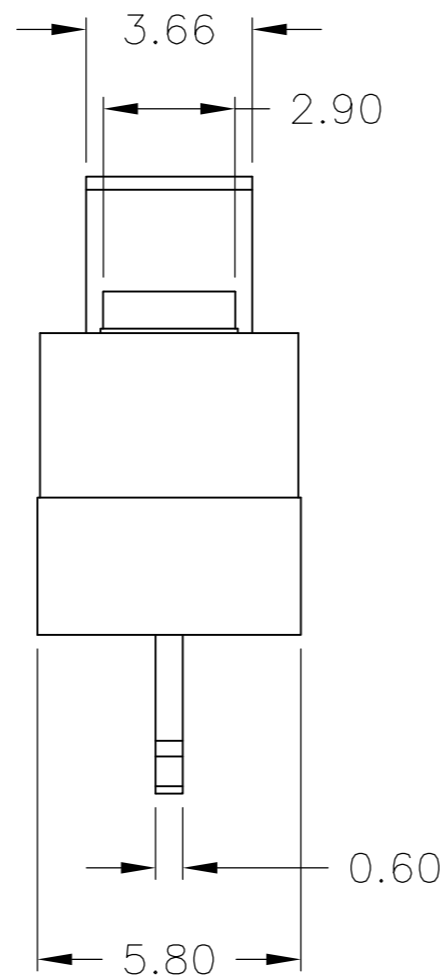
| REVISIONS |     |             |      |     |      |
|-----------|-----|-------------|------|-----|------|
| P         | LTR | DESCRIPTION | DATE | DWN | APVD |
| -         | -   | SEE SHEET 1 | -    | -   | -    |



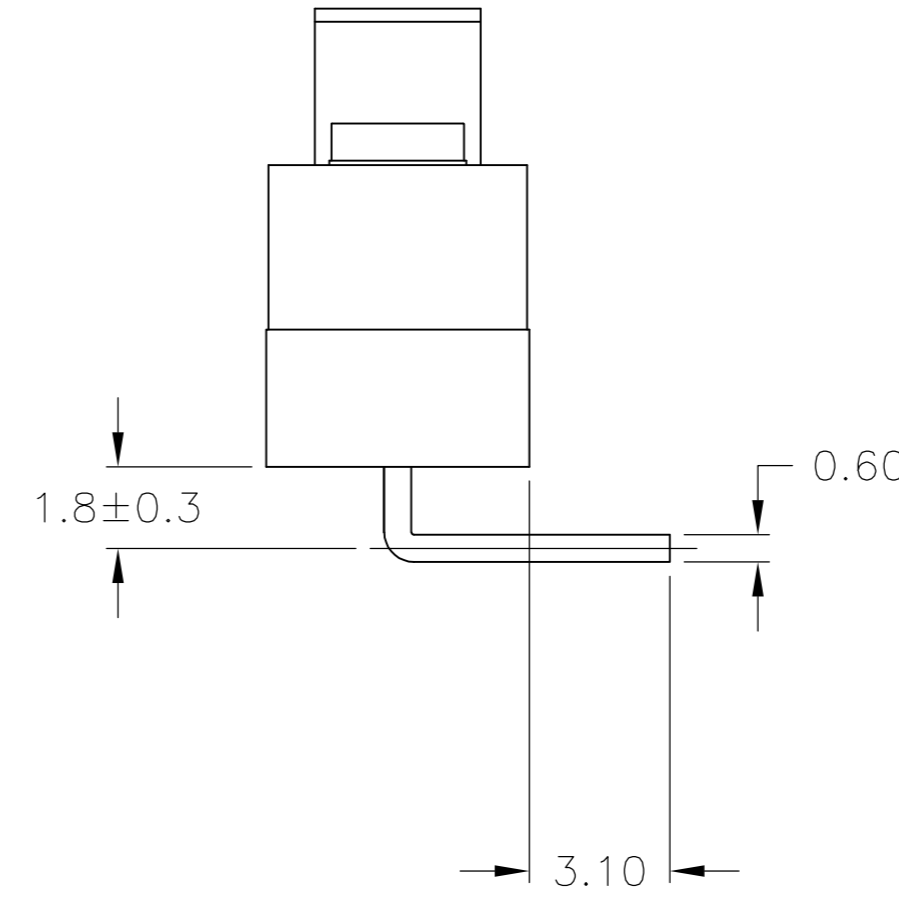
VIEW SHOWN WITH LEVER REMOVED



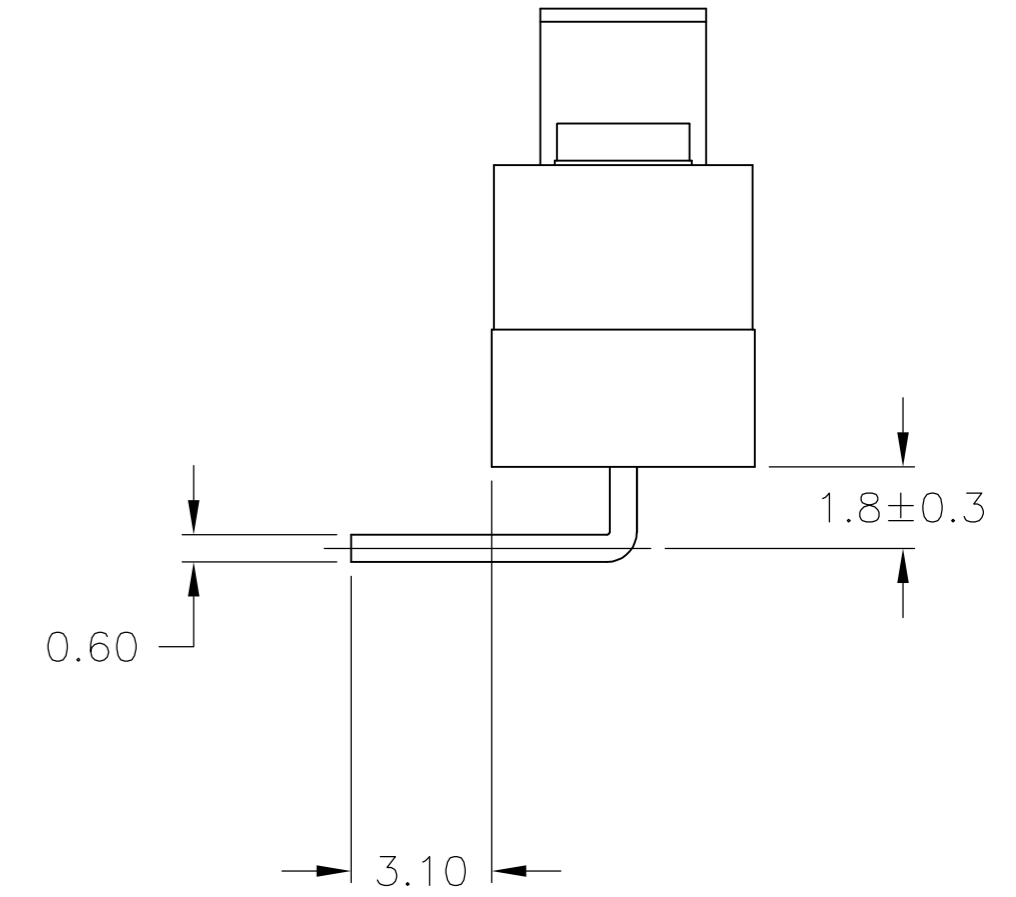
STRAIGHT LEVER SHOWN



PCB TERMINAL



PCB RIGHT TERMINAL



PCB LEFT TERMINAL

1825043

|  |             |                              |  |                    |       |   |   |       |   |      |       |   |   |       |   |   |        |   |    |                   |            |                    |
|--|-------------|------------------------------|--|--------------------|-------|---|---|-------|---|------|-------|---|---|-------|---|---|--------|---|----|-------------------|------------|--------------------|
| THIS DRAWING IS A CONTROLLED DOCUMENT.   |             | DWN<br>M.BINNER<br>31JAN2005 |  |                    |       |   |   |       |   |      |       |   |   |       |   |   |        |   |    |                   |            |                    |
| DIMENSIONS:<br>mm  |             | CHK<br>M ZITTO<br>31JAN2005  |  |                    |       |   |   |       |   |      |       |   |   |       |   |   |        |   |    |                   |            |                    |
| TOLERANCES UNLESS OTHERWISE SPECIFIED:   |             | APVD<br>M ZITTO<br>31JAN2005 | NAME<br>SWITCH, SNAP ACTION,<br>ULTRAMINIATURE |                    |       |   |   |       |   |      |       |   |   |       |   |   |        |   |    |                   |            |                    |
| <table border="0"> <tr><td>0 PLC</td><td>±</td><td>-</td></tr> <tr><td>1 PLC</td><td>±</td><td>-</td></tr> <tr><td>2 PLC</td><td>±</td><td>0.40</td></tr> <tr><td>3 PLC</td><td>±</td><td>-</td></tr> <tr><td>4 PLC</td><td>±</td><td>-</td></tr> <tr><td>ANGLES</td><td>±</td><td>1°</td></tr> </table> |             | 0 PLC                        | ±  | -                  | 1 PLC | ± | - | 2 PLC | ± | 0.40 | 3 PLC | ± | - | 4 PLC | ± | - | ANGLES | ± | 1° | PRODUCT SPEC<br>- | SIZE<br>A2 | CAGE CODE<br>00779 |
| 0 PLC  | ±           | -                            |  |                    |       |   |   |       |   |      |       |   |   |       |   |   |        |   |    |                   |            |                    |
| 1 PLC  | ±           | -                            |  |                    |       |   |   |       |   |      |       |   |   |       |   |   |        |   |    |                   |            |                    |
| 2 PLC  | ±           | 0.40                         |  |                    |       |   |   |       |   |      |       |   |   |       |   |   |        |   |    |                   |            |                    |
| 3 PLC  | ±           | -                            |  |                    |       |   |   |       |   |      |       |   |   |       |   |   |        |   |    |                   |            |                    |
| 4 PLC  | ±           | -                            |  |                    |       |   |   |       |   |      |       |   |   |       |   |   |        |   |    |                   |            |                    |
| ANGLES   | ±           | 1°                           |  |                    |       |   |   |       |   |      |       |   |   |       |   |   |        |   |    |                   |            |                    |
| MATERIAL<br>-  | FINISH<br>- | APPLICATION SPEC<br>-        | DRAWING NO<br>C=1825043                        | RESTRICTED TO<br>- |       |   |   |       |   |      |       |   |   |       |   |   |        |   |    |                   |            |                    |
| CUSTOMER DRAWING   |             |                              | SCALE<br>6:1                                   | SHEET<br>2 OF 2    |       |   |   |       |   |      |       |   |   |       |   |   |        |   |    |                   |            |                    |
|  |             |                              | REV<br>B8                                      |                    |       |   |   |       |   |      |       |   |   |       |   |   |        |   |    |                   |            |                    |

## X-ON Electronics

Largest Supplier of Electrical and Electronic Components

*Click to view similar products for [Basic / Snap Action Switches](#) category:*

*Click to view products by [TE Connectivity](#) manufacturer:*

Other Similar products are found below :

[5SM901-S12](#) [5SM9-S12N195](#) [602EN532](#) [602EN535-RB](#) [602HE5-RB1](#) [604HE162](#) [604HE223-6B](#) [624HE17-RB](#) [6HM82](#) [6HM89](#) [6SE1](#)  
[6SX1-H58](#) [70500216](#) [70599106](#) [MBD5B1](#) [MBH2731](#) [73-316-0012](#) [EXD-AR20](#) [79211923](#) [79218589](#) [7AS12](#)  
[MIL30126AB6BBMD4A12XAU](#) [ML-1155](#) [ML-1376](#) [831010C3.0](#) [831090C2.EL](#) [83131904](#) [84212012](#) [8AS239](#) [8HM73-3](#) [8SX26-H33](#)  
[914CE1-6G](#) [PL-100](#) [11SM1077-H4](#) [11SM1077-H58](#) [11SM1-TN107](#) [11SM405](#) [11SM8423-H2](#) [11SX37-T](#) [11SX48-H58](#) [11SM2442-T](#)  
[11SM76-T](#) [11SM77-H58](#) [11SM77-T](#) [11SM863-T](#) [11SM866](#) [A7CN-1M-1-LEFT](#) [A831700C7.0](#) [121EN188-R](#) [1245.0120](#)