

THIS DRAWING IS UNPUBLISHED.

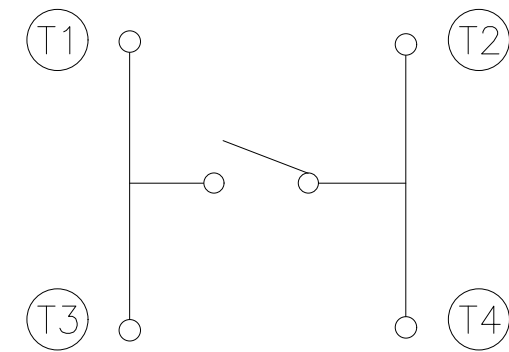
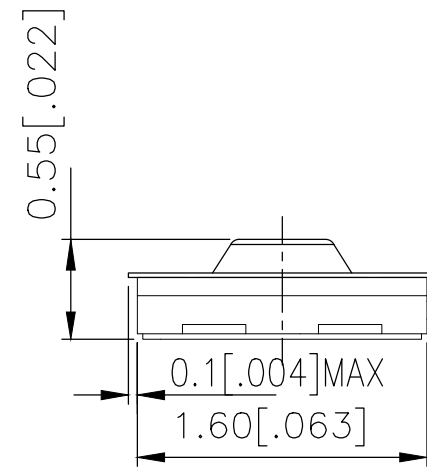
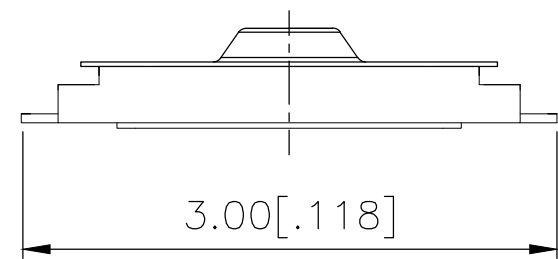
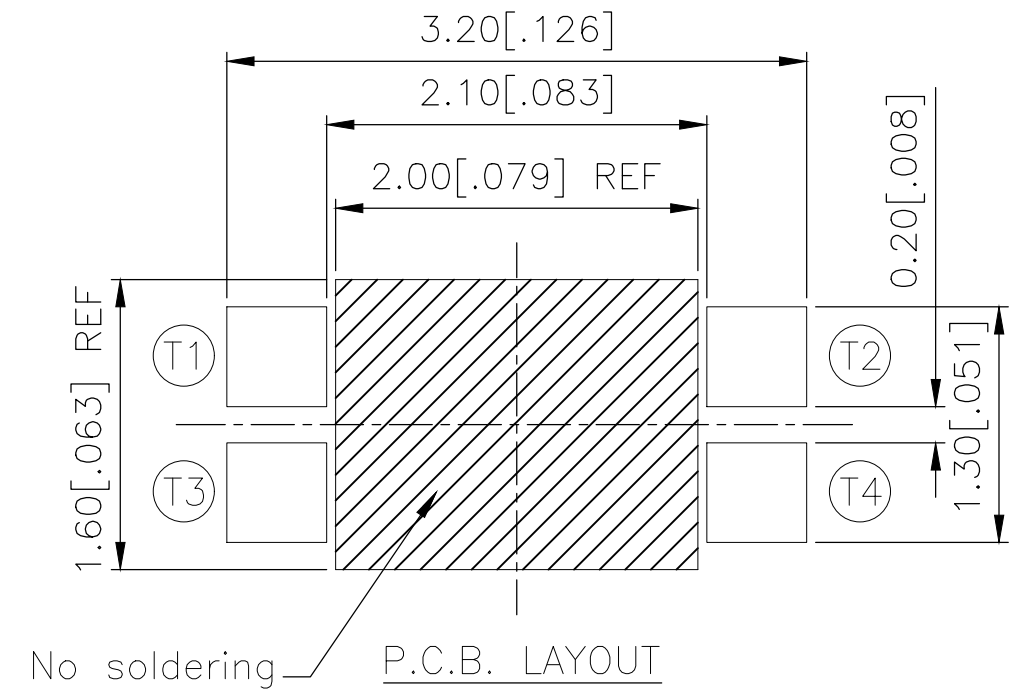
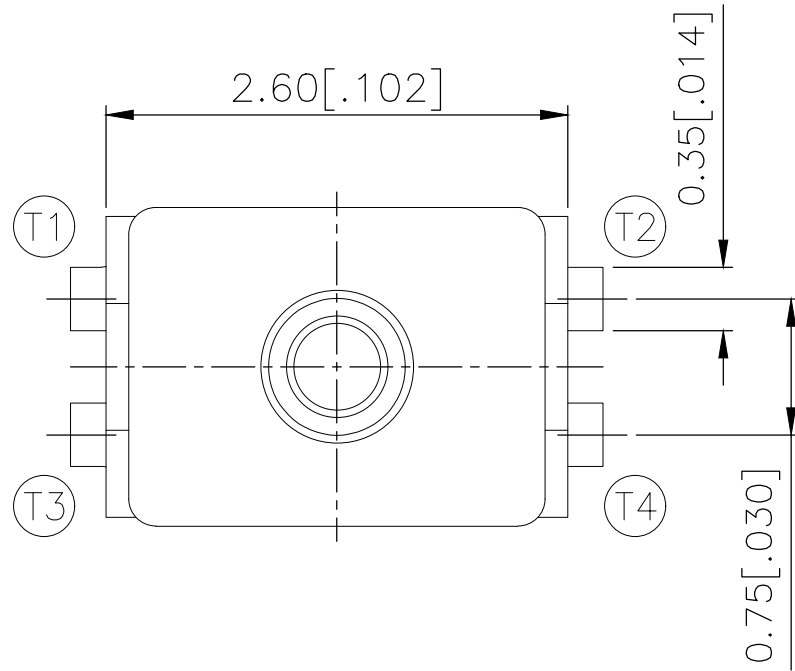
RELEASED FOR PUBLICATION

REVISIONS

© COPYRIGHT - TE Connectivity Ltd.

ALL RIGHTS RESERVED.

P	LTR	DESCRIPTION	DATE	DWN	APVD
	B	REVISED PER ECR-19-004770	10APR2019	SR	DD



CIRCUIT DIAGRAM

160±50	USLPT2616CT2TR	2337224-1
ACTUATION FORCE (gf)	SMART PART NUMBER	PART NUMBER

THIS DRAWING IS A CONTROLLED DOCUMENT.

DIMENSIONS:	TOLERANCES UNLESS OTHERWISE SPECIFIED:
mm	
0 PLC	± -
1 PLC	± -
2 PLC	± 0.1 [.004]
3 PLC	± -
4 PLC	± -
ANGLES	± -

MATERIAL - FINISH -

DWN	GANESH C M	04JUL2018
CHK	ALEXANDER SHARPE	04JUL2018
APVD	ALEXANDER SHARPE	04JUL2018
PRODUCT SPEC	-	-
APPLICATION SPEC	-	-
WEIGHT	-	-

		TE Connectivity Ltd.	
		NAME	
SWITCH, TACTILE, LOW-PROFILE, ULTRA-MINI, 2.6 x 1.6 x 0.55, TAB			
SIZE	CAGE CODE	DRAWING NO	RESTRICTED TO
A3	00779	C-2337224	-

CUSTOMER DRAWING	SCALE -	SHEET 1 of 3	REV B
------------------	---------	--------------	-------

THIS DRAWING IS UNPUBLISHED.

RELEASED FOR PUBLICATION

REVISIONS

© COPYRIGHT - TE Connectivity Ltd.

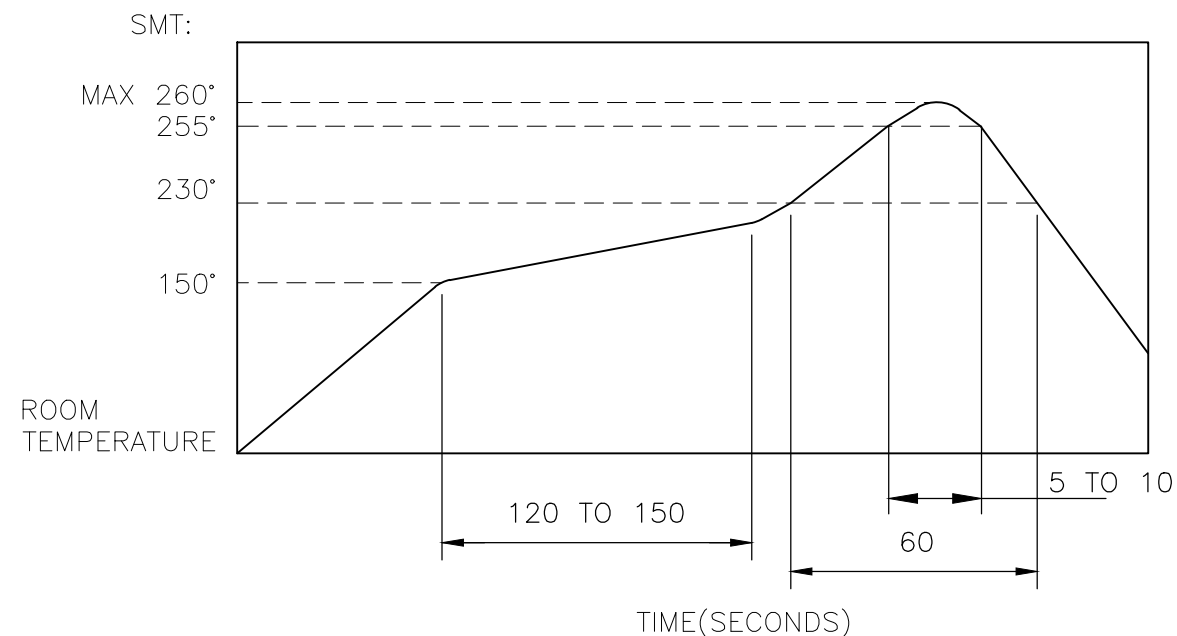
ALL RIGHTS RESERVED.

P	LTR	DESCRIPTION	DATE	DWN	APVD
-	-	SEE SHEET 1	-	-	-

NOTES:

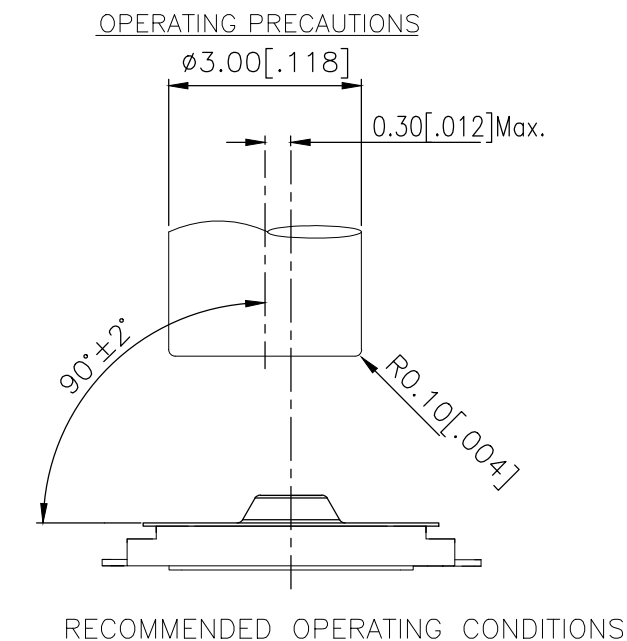
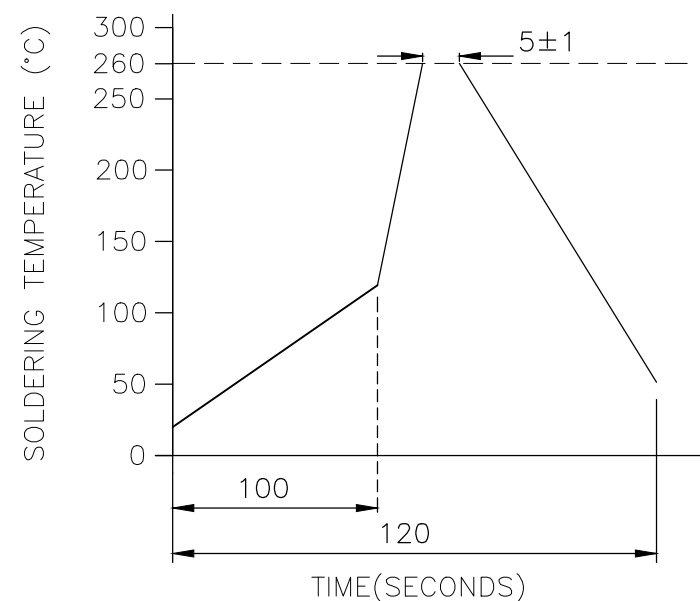
- MATERIALS:**  
 TERMINAL: COPPER ALLOY, SILVER FINISH  
 BASE: THERMOPLASTIC, BLACK  
 TAPE: POLYAMIDE  
 ACTUATOR: POLYIMIDE  
 CONTACT: STAINLESS STEEL, SILVER FINISH
- COMPLIANCE:**  
 ALL MATERIALS AND FINISHES SHALL COMPLY WITH EU DIRECTIVE 2002/95/EC OF 27JAN2003(RoHS)
- SPECIFICATIONS:**  
 RATING: 10  $\mu$ A, 2V DC MINIMUM TO 20 mA, 15V DC MAXIMUM  
 CONTACT RESISTANCE: 500m $\Omega$  MAXIMUM (INITIAL)  
 INSULATION RESISTANCE: 50M $\Omega$  MINIMUM (INITIAL)  
 DIELECTRIC STRENGTH: 250 V AC, 1 MINUTE  
 OPERATING LIFE: 200,000 CYCLES WITH LOAD  
 TRAVEL: 0.11 $\pm$ 0.05 [.004 $\pm$ .002]  
 ACTUATION FORCE: 160 $\pm$ 50gf  
 OPERATING TEMPERATURE: -40° TO 85°C  
 STORAGE TEMPERATURE: -40° TO 85°C

4. SOLDER CONDITIONS:



THE CONDITON NOTED ABOVE IS THE TEMPERATURE OF THE COPPER FOIL ON THE SURFACE OF THE PCB. THERE ARE CASES WHERE THE TEMPERATURE OF THE BOARD GREATLY DIFFERS FROM THE SURFACE OF THE SWITCH. DO NOT ALLOW THE SURFACE TEMPERATURE OF THE SWITCH TO EXCEED 260°C.

WAVE SOLDER:



MANUAL SOLDERING:

SOLDERING TEMPERATURE	350°C MAXIMUM
CONTINUOUS SOLDERING TIME	3 SECONDS MAXIMUM

HANDLING PRECAUTIONS:

- CARE SHOULD BE EXERCISED SO THAT FLUX FROM THE TOP SURFACE OF THE PRINTED CIRCUIT BOARD DOES NOT ADHERE TO THE SWITCH.
- DO NOT WASH THE SWITCH.
- OPERATING PRECAUTIONS:
  - DO NOT ACTUATE THE SWITCH WITH EXCESSIVE FORCE
  - DISCONTINUE FORCE AFTER THE SWITCH HAS BEEN ACTUATED SO AS TO AVOID DEFORMATION OF THE COMPONENTS OF THE SWITCH. DEFORMATION OF THE COMPONENTS MAY CAUSE THE SWITCH TO MALFUNCTION.
  - ALIGN THE PLUNGER WITH THE SWITCH TO INSURE PROPER OPERATION

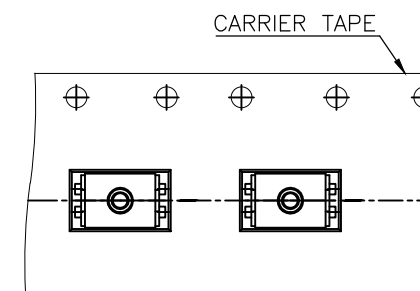
THIS DRAWING IS A CONTROLLED DOCUMENT.		DWN	04JUL2018		TE Connectivity Ltd.
		CHK	04JUL2018		
		APVD	04JUL2018		
		NAME	ALEXANDER SHARPE		
DIMENSIONS:		TOLERANCES UNLESS OTHERWISE SPECIFIED:		NAME	
mm				SWITCH, TACTILE, LOW-PROFILE, ULTRA-MINI,	
		0 PLC $\pm$ -		2.6 x 1.6 x 0.55, TAB	
		1 PLC $\pm$ -			
		2 PLC $\pm$ 0.1 [.004]			
		3 PLC $\pm$ -			
		4 PLC $\pm$ -			
		ANGLES $\pm$ -			
MATERIAL		FINISH		SIZE	
				CAGE CODE	
				DRAWING NO	
				RESTRICTED TO	
				A300779	
				C-2337224	
				SCALE	
				SHEET	
				2 OF 3	
				REV	
				B	
				CUSTOMER DRAWING	

P	LTR	DESCRIPTION	DATE	DWN	APVD
-	-	SEE SHEET 1	-	-	-

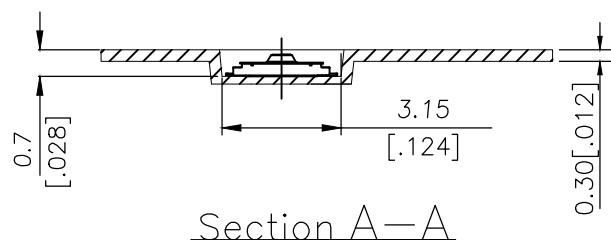
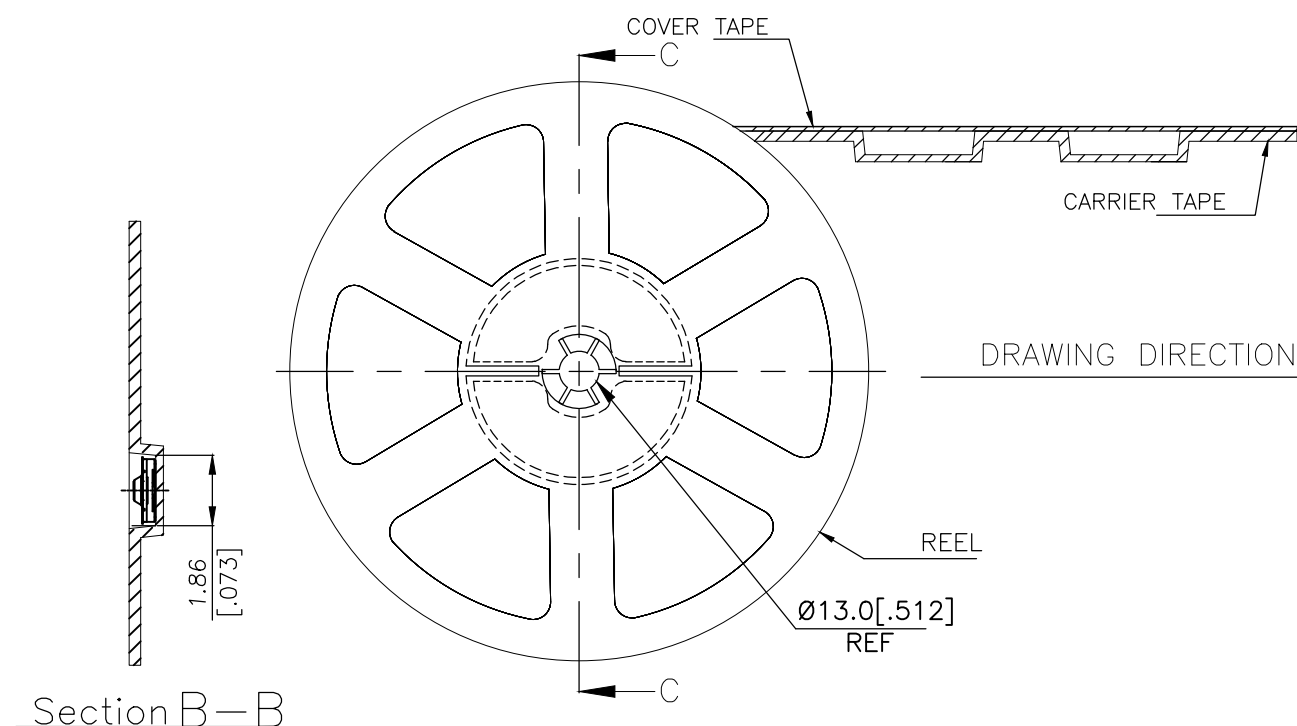
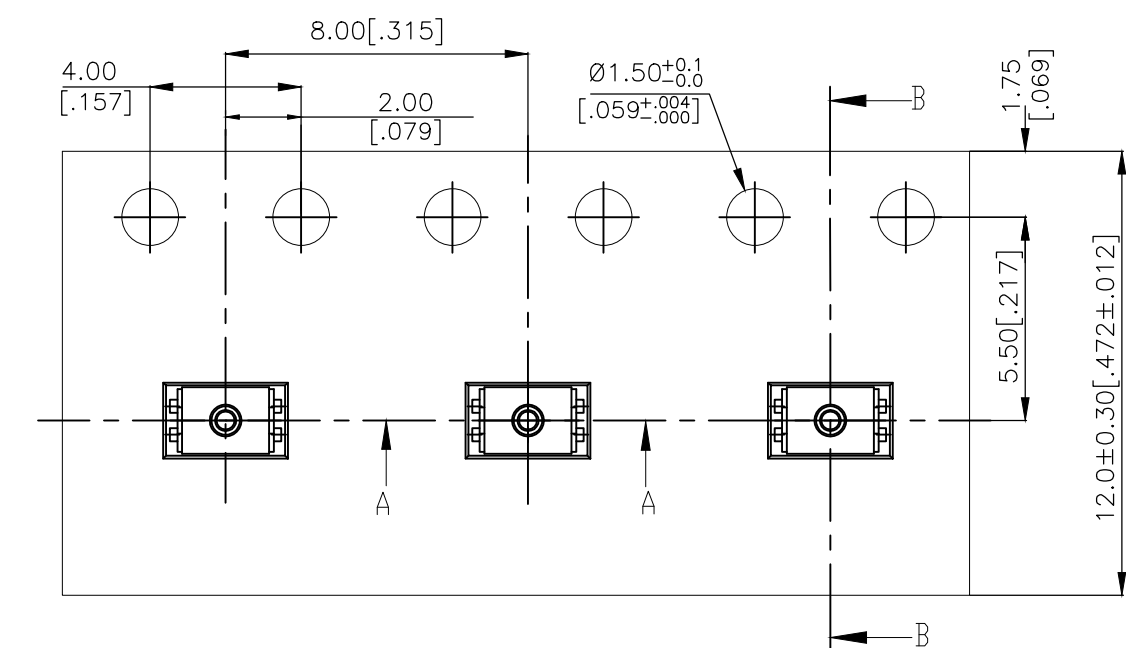
6. PACKAGING:

1. THE TAPE AND REEL ARE SHOWN FOR CUSTOMER APPLICATION REFERENCE. PACKAGING NOTES 3 AND 4 ARE REQUIRED BUT NOT ILLUSTRATED.
2. 2,500 SWITCHES PER REEL.
3. THE REEL, DESICCANT POUCH AND HUMIDITY CARD ARE SEALED IN A MOISTURE BARRIER BAG PER THE CURRENT REVISION OF IPC/JEDEC J-STD-033, MSL 2A REQUIREMENTS.
4. THE MOISTURE BARRIER BAG IS LABELED PER THE CURRENT REVISION OF IPC/JEDEC J-STD-033, MSL 2A REQUIREMENTS.

ORIENTATION OF PILOT HOLES




THE DIMENSIONS OF CARRIER TAPE AND REEL



Section B-B

Section C-C

THIS DRAWING IS A CONTROLLED DOCUMENT.		DWN GANESH C M 04JUL2018	 TE Connectivity Ltd.														
DIMENSIONS: mm		CHK ALEXANDER SHARPE 04JUL2018				NAME SWITCH, TACTILE, LOW-PROFILE, ULTRA-MINI, 2.6 x 1.6 x 0.55, TAB											
TOLERANCES UNLESS OTHERWISE SPECIFIED:		APVD ALEXANDER SHARPE 04JUL2018	PRODUCT SPEC														
<table border="0"> <tr><td>0 PLC</td><td>± -</td></tr> <tr><td>1 PLC</td><td>± -</td></tr> <tr><td>2 PLC</td><td>± 0.1 [.004]</td></tr> <tr><td>3 PLC</td><td>± -</td></tr> <tr><td>4 PLC</td><td>± -</td></tr> <tr><td>ANGLES</td><td>± -</td></tr> </table>		0 PLC	± -	1 PLC	± -	2 PLC	± 0.1 [.004]	3 PLC	± -	4 PLC	± -	ANGLES	± -	APPLICATION SPEC		SIZE	RESTRICTED TO
0 PLC	± -																
1 PLC	± -																
2 PLC	± 0.1 [.004]																
3 PLC	± -																
4 PLC	± -																
ANGLES	± -																
MATERIAL		WEIGHT		A3 00779	-												
FINISH		CUSTOMER DRAWING		C=2337224	SCALE - SHEET 3 OF 3 REV B												

## X-ON Electronics

Largest Supplier of Electrical and Electronic Components

*Click to view similar products for [Tactile Switches](#) category:*

*Click to view products by [TE Connectivity](#) manufacturer:*

Other Similar products are found below :

[5GTH92001](#) [1-1977120-4](#) [ADTSA62NV](#) [ADTSA62RV](#) [ADTSA63KV](#) [ADTSA644NV](#) [ADTSMW66NV](#) [ADTSMW67RV](#) [B3F-3123](#) [B3F-6055A](#) [B3F-B32-01-KIT](#) [1977177-8](#) [1977266-1](#) [ADTS644KV](#) [ADTSA61RV](#) [ADTSA62KV](#) [ADTSA63NV](#) [ADTSA63RV](#) [ADTSM21NSVTR](#) [ADTSM32NVTR](#) [ADTSM63SVTR](#) [ADTSM644KVTR](#) [ADTSMW64RV](#) [ADTSMW69NV](#) [FSMRA4JHA04](#) [GS4.70F300QP](#) [3ESH9R](#) [506E00201](#) [MJTP1164TR](#) [3FTL600RAS](#) [3FTL640RAS](#) [Y96K132V0FPLFS](#) [101-TS5022T1601-EV](#) [5GSH92001](#) [KSJ0A231](#) [80SH LFG](#) [ADTSM31NVTR](#) [EVQ-P1D05K](#) [MJTP1162TR](#) [ADTSM63KV](#) [2-1977120-7](#) [TSJW-5.2-260-TR](#) [KMT011MNGJLHS](#) [B3WN6002S](#) [ADTSA648RV](#) [70-201.0](#) [ADTSG648NV](#) [ADTSM62KSVTR](#) [ATA600VTR](#) [ADTSG66RV](#) [ADTS61NV](#)