

THIS DRAWING IS UNPUBLISHED.

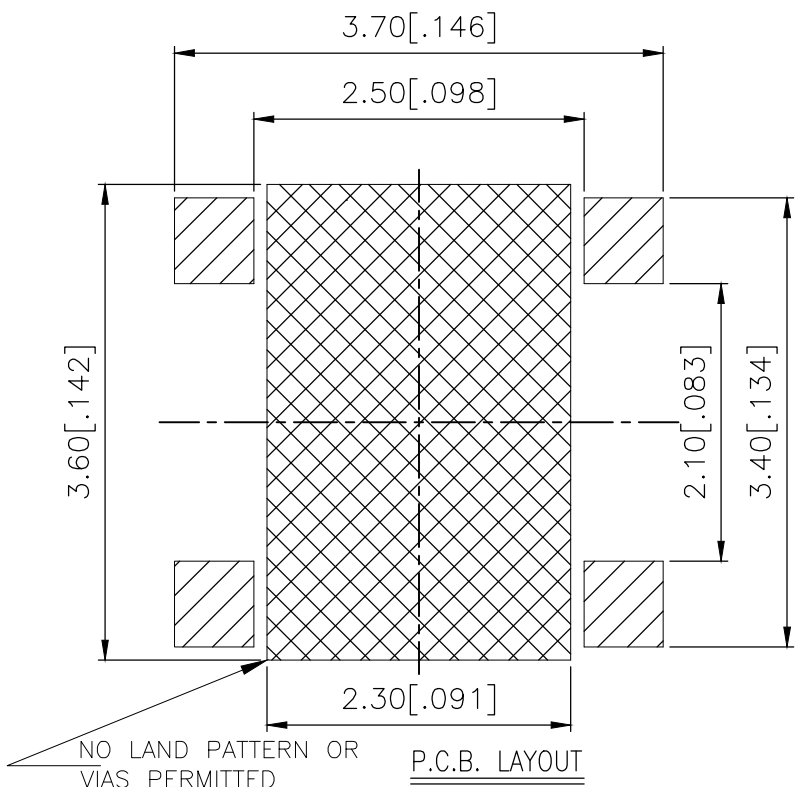
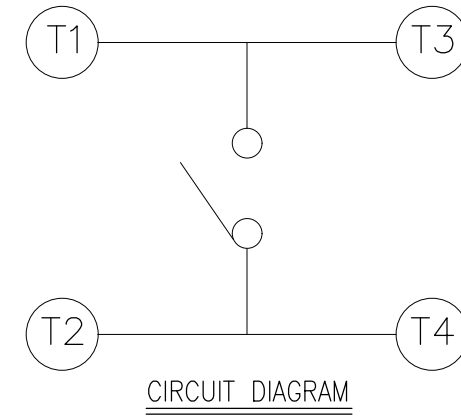
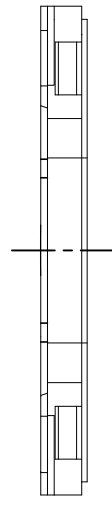
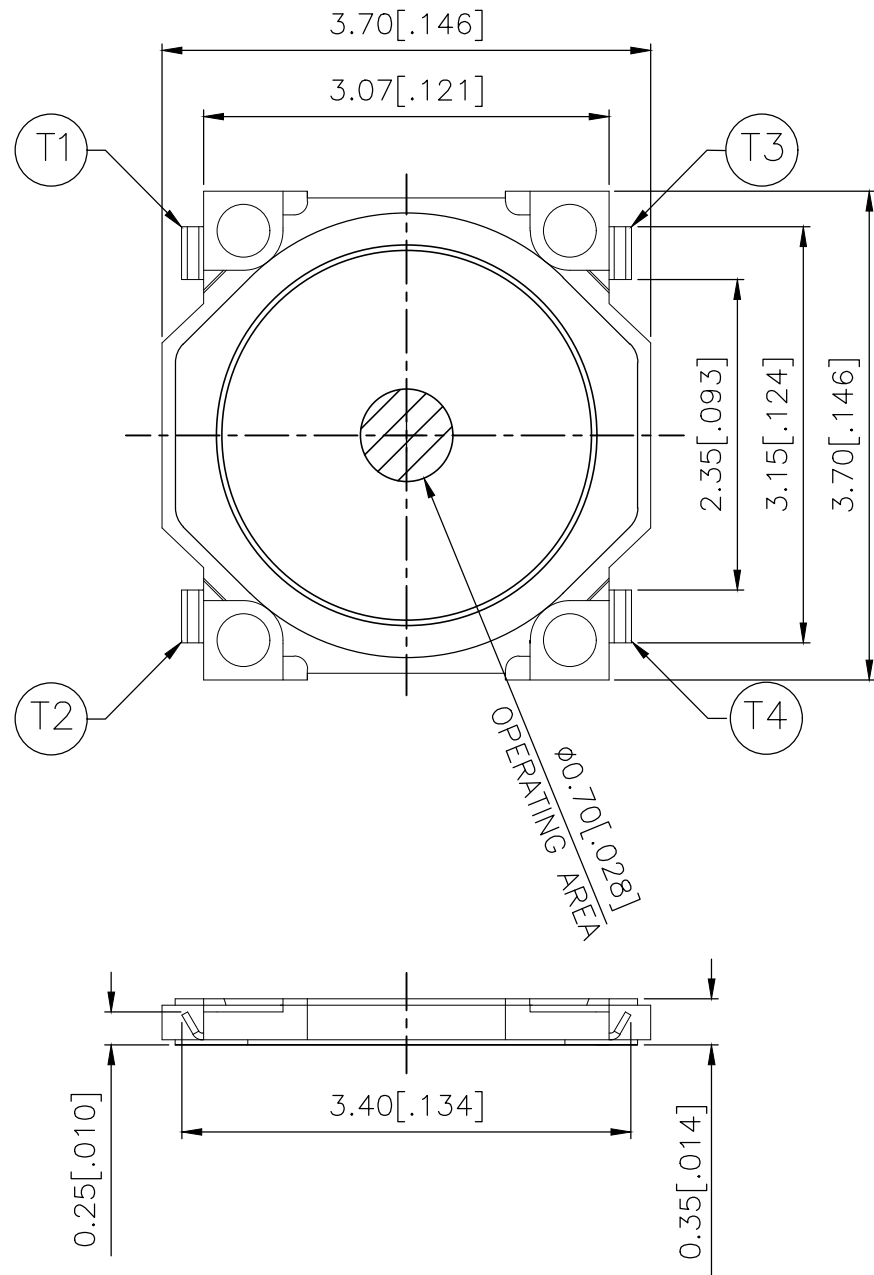
RELEASED FOR PUBLICATION

REVISIONS

© COPYRIGHT - TE Connectivity Ltd.

ALL RIGHTS RESERVED.

| P | LTR | DESCRIPTION | DATE | DWN | APVD |
|---|-----|---------------------------|-----------|-----|------|
| | B | REVISED PER ECR-19-004770 | 10APR2019 | SR | DD |



| | | |
|----------------------|-------------------|-------------|
| 235±60 | USLPT3737AL5TR | 2337229-2 |
| 160±50 | USLPT3737AL2TR | 2337229-1 |
| ACTUATION FORCE (gf) | SMART PART NUMBER | PART NUMBER |

| | | | | |
|--|--------------|------------------------------|------------------|-----------|
| THIS DRAWING IS A CONTROLLED DOCUMENT. | | DWN | GANESH C M | 04JUL2018 |
| DIMENSIONS: mm [INCHES] | | CHK | ALEXANDER SHARPE | 04JUL2018 |
| TOLERANCES UNLESS OTHERWISE SPECIFIED: | | APVD | ALEXANDER SHARPE | 04JUL2018 |
| 0 PLC | ± - | PRODUCT SPEC | | |
| 1 PLC | ± - | - | | |
| 2 PLC | ± 0.2 [.008] | APPLICATION SPEC | | |
| 3 PLC | ± - | - | | |
| 4 PLC | ± - | WEIGHT | | |
| ANGLES | ± - | - | | |
| MATERIAL | FINISH | CUSTOMER DRAWING | | |
| - | - | SCALE NTS SHEET 1 of 3 REV B | | |

STE TE Connectivity Ltd.

NAME: SWITCH, TACTILE, LOW-PROFILE, ULTRA-MINI, 3.7 x 3.7 x 0.35, J BEND

SIZE: A3 CAGE CODE: 00779 DRAWING NO: 2337229 RESTRICTED TO: -

THIS DRAWING IS UNPUBLISHED.

RELEASED FOR PUBLICATION

© COPYRIGHT - TE Connectivity Ltd.

ALL RIGHTS RESERVED.

REVISIONS

| P | LTR | DESCRIPTION | DATE | DWN | APVD |
|---|-----|-------------|------|-----|------|
| - | - | SEE SHEET 1 | - | - | - |

NOTES:

1. MATERIALS:

TERMINAL: COPPER ALLOY, SILVER FINISH
 BASE: THERMOPLASTIC, UL 94V-0, BLACK
 TAPE: POLYIMIDE
 CONTACT: STAINLESS STEEL, SILVER FINISH

2. COMPLIANCE:

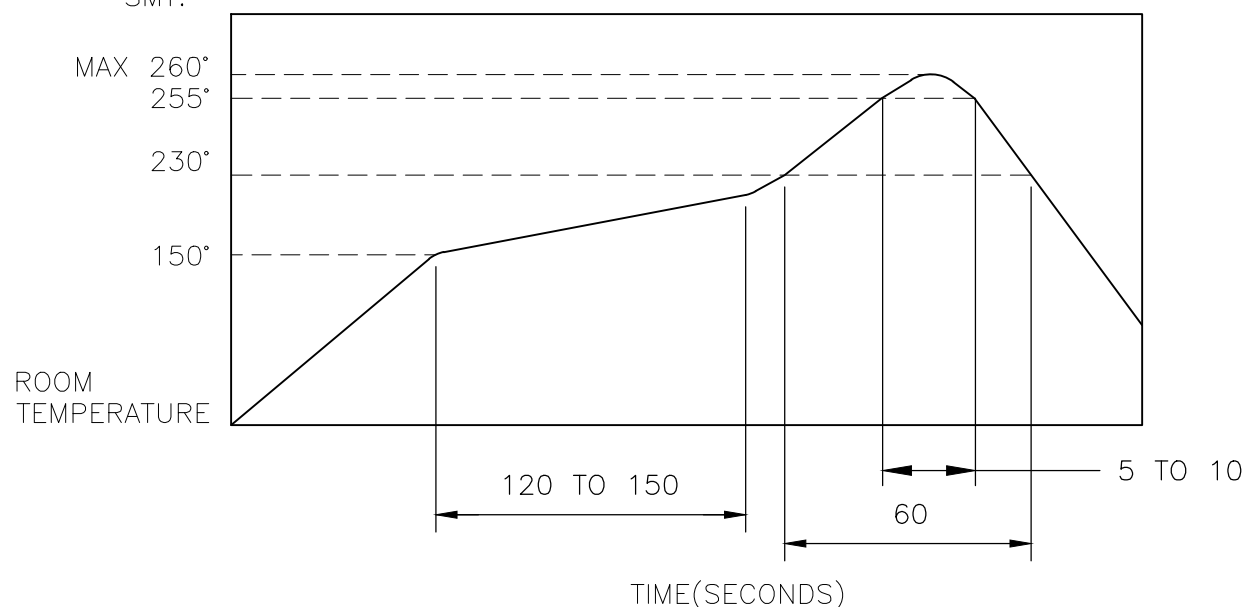
ALL MATERIALS AND FINISHES SHALL COMPLY WITH
 EU DIRECTIVE 2002/95/EC OF 27JAN2003(RoHS)

3. SPECIFICATIONS:

RATING: 50 mA, 12V DC
 CONTACT RESISTANCE: 100mΩ MAXIMUM (INITIAL)
 INSULATION RESISTANCE: 100MΩ MINIMUM (INITIAL)
 DIELECTRIC STRENGTH: 100 V AC, 1 MINUTE
 OPERATING LIFE: 2337229-1 (160gf) = 500,000 CYCLES WITH LOAD
 2337229-2 (235gf) = 50,000 CYCLES WITH LOAD
 TRAVEL: 0.15±0.1 [.006±.004]
 ACTUATION FORCE: 2337229-1 = 160±50gf
 2337229-2 = 235±60gf
 OPERATING TEMPERATURE: -40° TO 85°C
 STORAGE TEMPERATURE: -20° TO 60°C (WITHIN TAPE PACKAGING)

4. SOLDER CONDITIONS:

SMT:



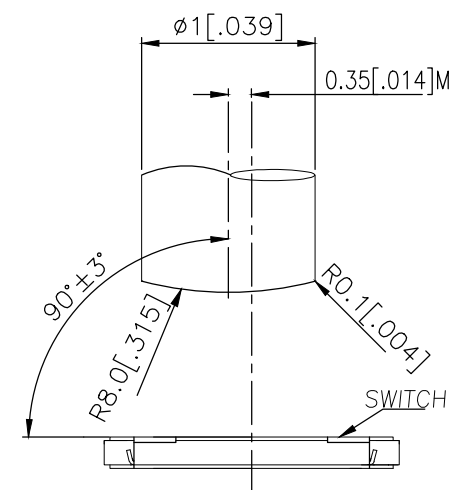
THE CONDITION NOTED ABOVE IS THE TEMPERATURE OF THE COPPER FOIL ON THE SURFACE OF THE PCB. THERE ARE CASES WHERE THE TEMPERATURE OF THE BOARD GREATLY DIFFERS FROM THE SURFACE OF THE SWITCH. DO NOT ALLOW THE SURFACE TEMPERATURE OF THE SWITCH TO EXCEED 260°C.

MANUAL SOLDERING:

| | |
|---------------------------|-------------------|
| SOLDERING TEMPERATURE | 350°C MAXIMUM |
| CONTINUOUS SOLDERING TIME | 5 SECONDS MAXIMUM |

HANDLING PRECAUTIONS:

- CARE SHOULD BE EXERCISED SO THAT FLUX FROM THE TOP SURFACE OF THE PRINTED CIRCUIT BOARD DOES NOT ADHERE TO THE SWITCH.
 - DO NOT WASH THE SWITCH
5. OPERATING PRECAUTIONS:
- DO NOT ACTUATE THE SWITCH WITH EXCESSIVE FORCE
 - DISCONTINUE FORCE AFTER THE SWITCH HAS BEEN ACTUATED SO AS TO AVOID DEFORMATION OF THE COMPONENTS OF THE SWITCH. DEFORMATION OF THE COMPONENTS MAY CAUSE THE SWITCH TO MALFUNCTION.
 - ALIGN THE PLUNGER WITH THE SWITCH TO INSURE PROPER OPERATION



RECOMMENDED OPERATING CONDITIONS

| | | | | | | | | | | | | | | | | | |
|---|--------------|---------------------------------|---|-----------------|----------------------|-------|--------------|-------|-----|-------|-----|--------|-----|--------------|---------------|--|--|
| THIS DRAWING IS A CONTROLLED DOCUMENT. | | DWN GANESH C M 04JUL2018 | TE Connectivity Ltd. | | | | | | | | | | | | | | |
| DIMENSIONS: mm [INCHES] | | CHK ALEXANDER SHARPE 04JUL2018 | | | | | | | | | | | | | | | |
| TOLERANCES UNLESS OTHERWISE SPECIFIED: | | APVD ALEXANDER SHARPE 04JUL2018 | NAME SWITCH, TACTILE, LOW-PROFILE, ULTRA-MINI, 3.7 x 3.7 x 0.35, J BEND | | | | | | | | | | | | | | |
| <table border="1"> <tr><td>0 PLC</td><td>± -</td></tr> <tr><td>1 PLC</td><td>± -</td></tr> <tr><td>2 PLC</td><td>± 0.2 [.008]</td></tr> <tr><td>3 PLC</td><td>± -</td></tr> <tr><td>4 PLC</td><td>± -</td></tr> <tr><td>ANGLES</td><td>± -</td></tr> </table> | | 0 PLC | ± - | 1 PLC | ± - | 2 PLC | ± 0.2 [.008] | 3 PLC | ± - | 4 PLC | ± - | ANGLES | ± - | PRODUCT SPEC | RESTRICTED TO | | |
| 0 PLC | ± - | | | | | | | | | | | | | | | | |
| 1 PLC | ± - | | | | | | | | | | | | | | | | |
| 2 PLC | ± 0.2 [.008] | | | | | | | | | | | | | | | | |
| 3 PLC | ± - | | | | | | | | | | | | | | | | |
| 4 PLC | ± - | | | | | | | | | | | | | | | | |
| ANGLES | ± - | | | | | | | | | | | | | | | | |
| MATERIAL | | APPLICATION SPEC | SIZE A3 | CAGE CODE 00779 | DRAWING NO C-2337229 | | | | | | | | | | | | |
| FINISH | | WEIGHT | SCALE NTS SHEET 2 OF 3 REV B | | | | | | | | | | | | | | |
| | | CUSTOMER DRAWING | | | | | | | | | | | | | | | |

THIS DRAWING IS UNPUBLISHED.

RELEASED FOR PUBLICATION

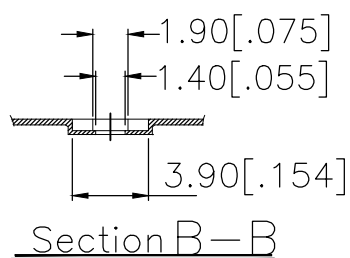
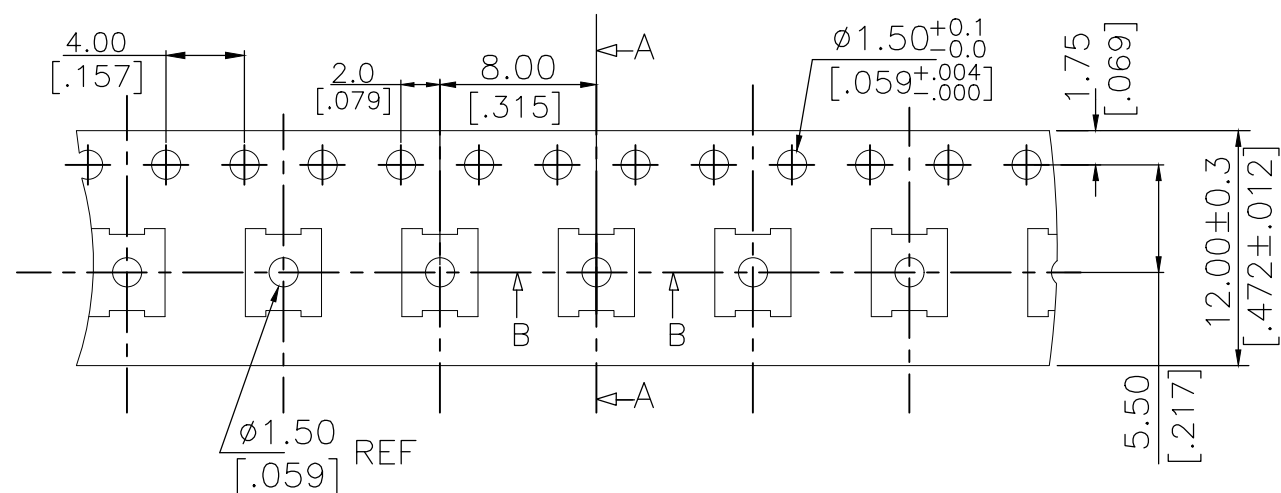
REVISIONS

© COPYRIGHT - TE Connectivity Ltd.

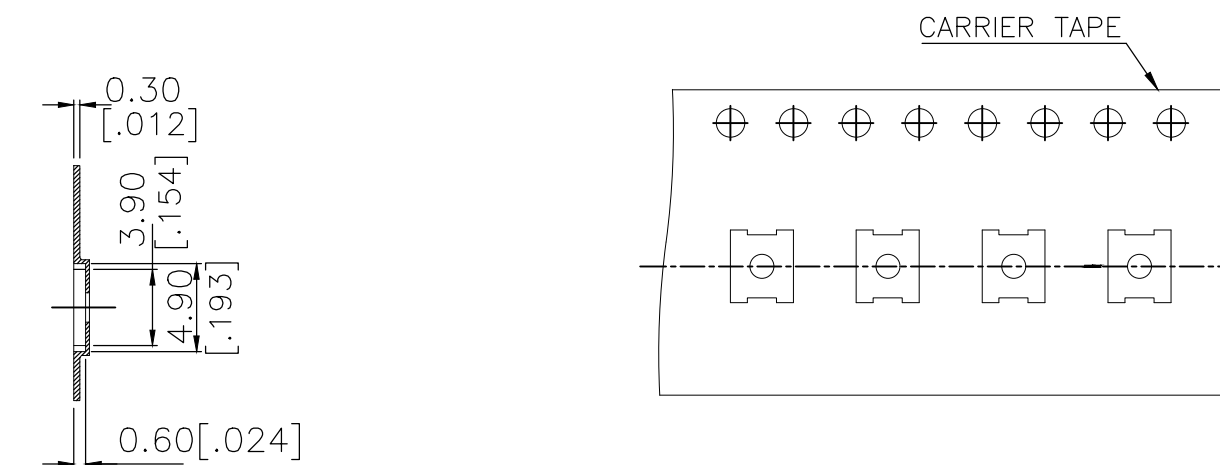
ALL RIGHTS RESERVED.

| P | LTR | DESCRIPTION | DATE | DWN | APVD |
|---|-----|-------------|------|-----|------|
| - | - | SEE SHEET 1 | - | - | - |

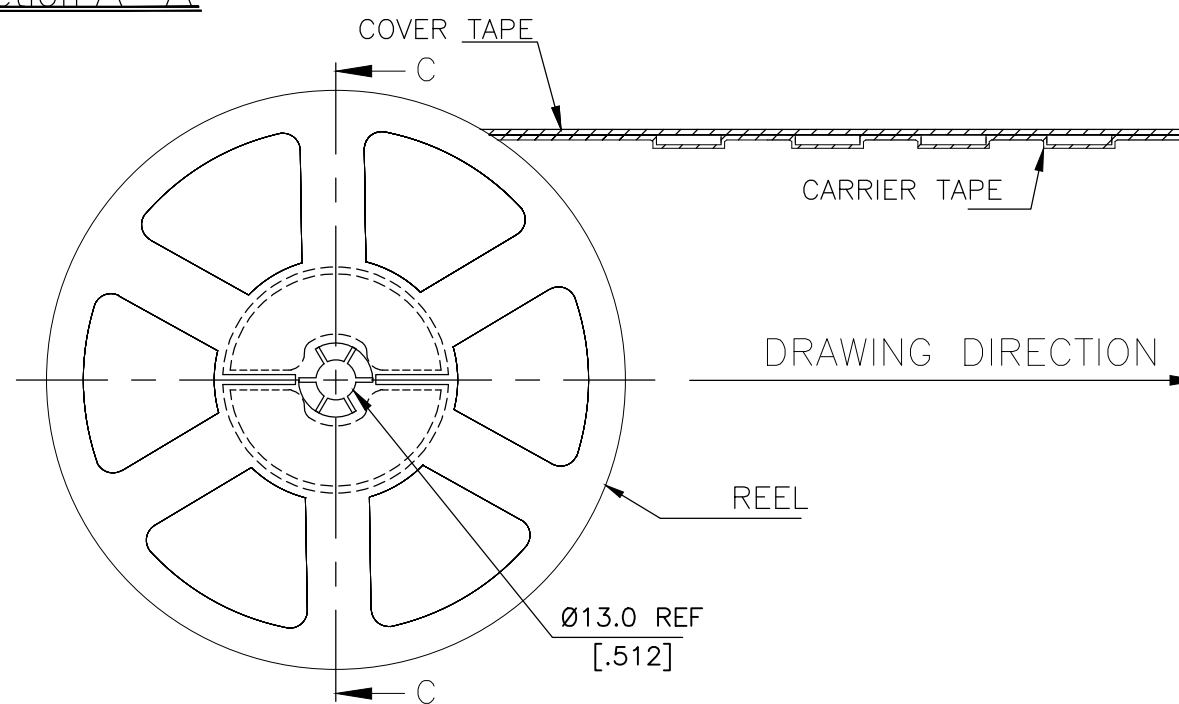
THE DIMENSIONS OF CARRIER TAPE AND REEL



ORIENTATION OF PILOT HOLES



Section A-A



Section C-C

6. PACKAGING:

1. THE TAPE AND REEL ARE SHOWN FOR CUSTOMER APPLICATION REFERENCE. PACKAGING NOTES 3 AND 4 ARE REQUIRED BUT NOT ILLUSTRATED.
2. 3,000 SWITCHES PER REEL.
3. THE REEL, DESICCANT POUCH AND HUMIDITY CARD ARE SEALED IN A MOISTURE BARRIER BAG PER THE CURRENT REVISION OF IPC/JEDEC J-STD-033, MSL 2A REQUIREMENTS.
4. THE MOISTURE BARRIER BAG IS LABELED PER THE CURRENT REVISION OF IPC/JEDEC J-STD-033, MSL 2A REQUIREMENTS.

| | | | | | | | | | | | | | | | | | |
|---|--------------|---------------------------------------|---|-----------------|--------------------|-------------------------|--------------------|-------|-----|-------|-----|--------|-----|-------------------|-----------------------|--|--|
| THIS DRAWING IS A CONTROLLED DOCUMENT. | | DWN GANESH C M 04JUL2018 | TE Connectivity Ltd. | | | | | | | | | | | | | | |
| DIMENSIONS: mm [INCHES] | | CHK ALEXANDER SHARPE 04JUL2018 | | | | | | | | | | | | | | | |
| TOLERANCES UNLESS OTHERWISE SPECIFIED: | | APVD ALEXANDER SHARPE 04JUL2018 | NAME SWITCH, TACTILE, LOW-PROFILE, ULTRA-MINI, 3.7 x 3.7 x 0.35, J BEND | | | | | | | | | | | | | | |
| <table border="1"> <tr><td>0 PLC</td><td>± -</td></tr> <tr><td>1 PLC</td><td>± -</td></tr> <tr><td>2 PLC</td><td>± 0.2 [.008]</td></tr> <tr><td>3 PLC</td><td>± -</td></tr> <tr><td>4 PLC</td><td>± -</td></tr> <tr><td>ANGLES</td><td>± -</td></tr> </table> | | 0 PLC | ± - | 1 PLC | ± - | 2 PLC | ± 0.2 [.008] | 3 PLC | ± - | 4 PLC | ± - | ANGLES | ± - | PRODUCT SPEC - | APPLICATION SPEC - | | |
| 0 PLC | ± - | | | | | | | | | | | | | | | | |
| 1 PLC | ± - | | | | | | | | | | | | | | | | |
| 2 PLC | ± 0.2 [.008] | | | | | | | | | | | | | | | | |
| 3 PLC | ± - | | | | | | | | | | | | | | | | |
| 4 PLC | ± - | | | | | | | | | | | | | | | | |
| ANGLES | ± - | | | | | | | | | | | | | | | | |
| MATERIAL - | | FINISH - | WEIGHT | SIZE A3 | CAGE CODE 00779 | DRAWING NO C-2337229 | RESTRICTED TO - | | | | | | | | | | |
| CUSTOMER DRAWING | | | SCALE NTS | SHEET 3 OF 3 | REV B | | | | | | | | | | | | |

X-ON Electronics

Largest Supplier of Electrical and Electronic Components

Click to view similar products for [Tactile Switches](#) category:

Click to view products by [TE Connectivity](#) manufacturer:

Other Similar products are found below :

[5GTH92001](#) [1-1977120-4](#) [ADTSA62RV](#) [ADTSA63KV](#) [ADTSA644NV](#) [ADTSMW66NV](#) [ADTSMW67RV](#) [B3F-3123](#) [B3F-6055A](#) [B3F-B32-01-KIT](#) [1977177-8](#) [1977266-1](#) [ADTS644KV](#) [ADTSA61RV](#) [ADTSA62KV](#) [ADTSA63NV](#) [ADTSA63RV](#) [ADTSM21NSVTR](#) [ADTSM32NVTR](#) [ADTSM63SVTR](#) [ADTSM644KVTR](#) [ADTSMW64RV](#) [ADTSMW69NV](#) [FSMRA4JHA04](#) [GS4.70F300QP](#) [3ESH9R](#) [506E00201](#) [MJTP1164TR](#) [3FTL600RAS](#) [3FTL640RAS](#) [Y96K132V0FPLFS](#) [101-TS5022T1601-EV](#) [5GSH92001](#) [KSJ0A231](#) [80SH LFG](#) [EVQ-P1D05K](#) [MJTP1162TR](#) [ADTSM63KV](#) [TSJW-5.2-260-TR](#) [KMT011MNGJLHS](#) [B3WN6002S](#) [ADTSA648RV](#) [70-201.0](#) [ADTSG648NV](#) [ADTSM62KSVTR](#) [ATA600VTR](#) [ADTSG66RV](#) [ADTS61NV](#) [ADTSM62KVTR](#) [ADTSM25KSVB](#) [ADTS65RV](#)