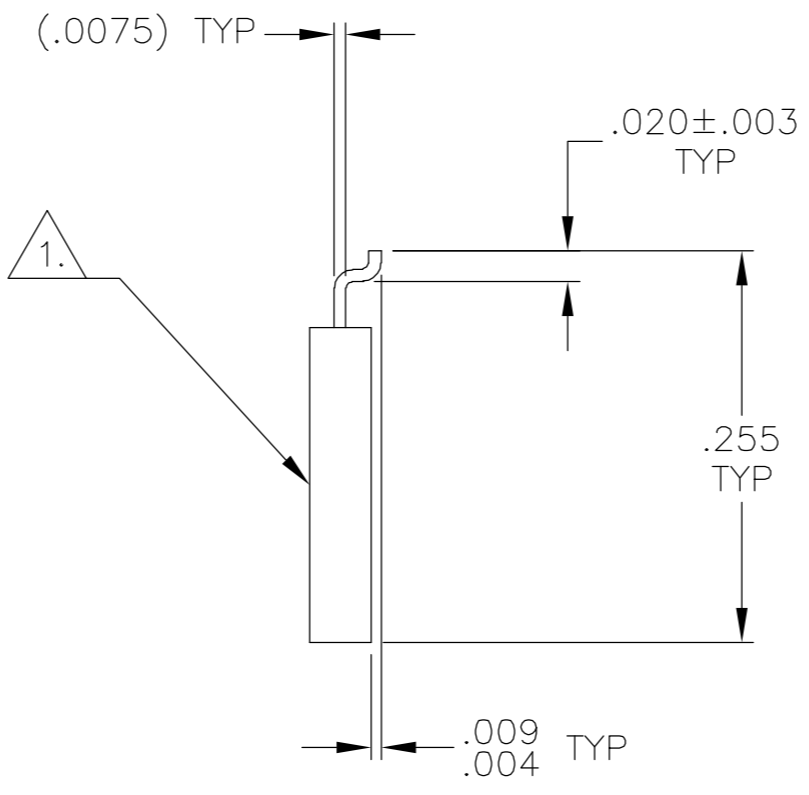
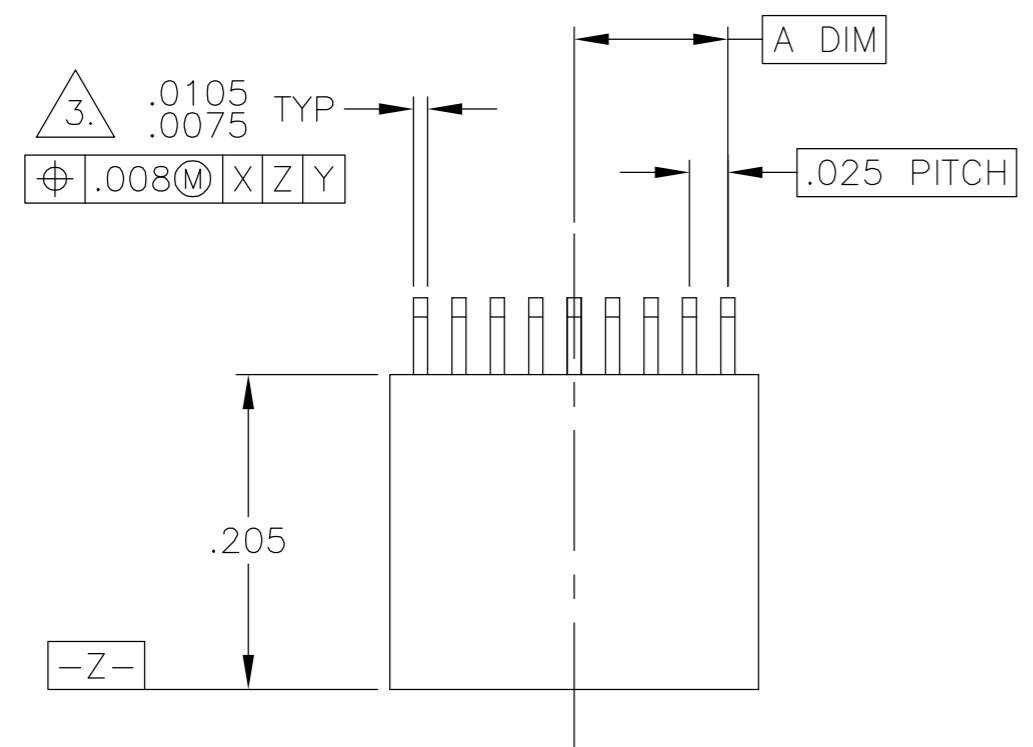


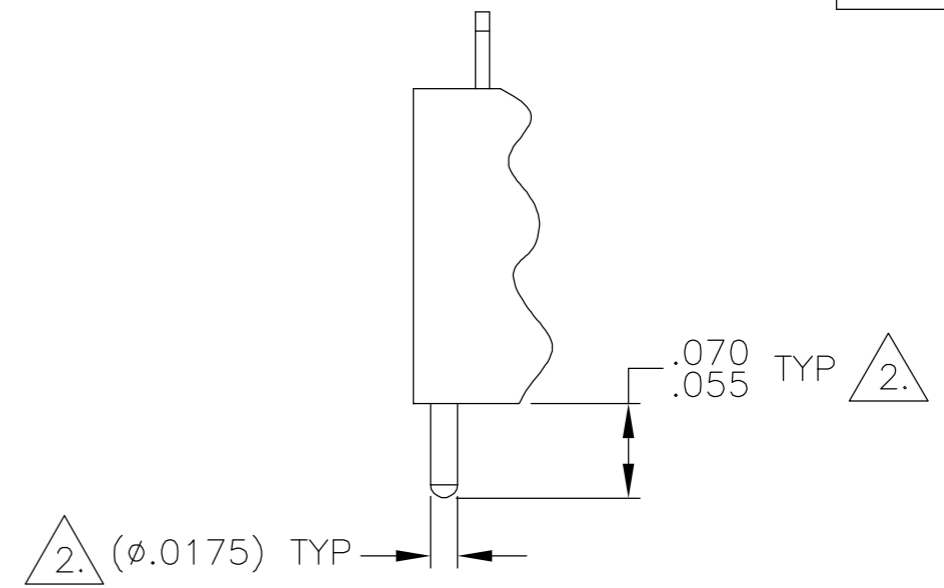
THIS DRAWING IS UNPUBLISHED. RELEASED FOR PUBLICATION  
 © COPYRIGHT BY TYCO ELECTRONICS CORPORATION. ALL RIGHTS RESERVED.

LOC	DIST	REVISIONS					
DF	DO	P	LTR	DESCRIPTION	DATE	DWN	APVD
		R		UPDATE PER 0H2Y-0008-04	9 JAN 04	CAS	MKS

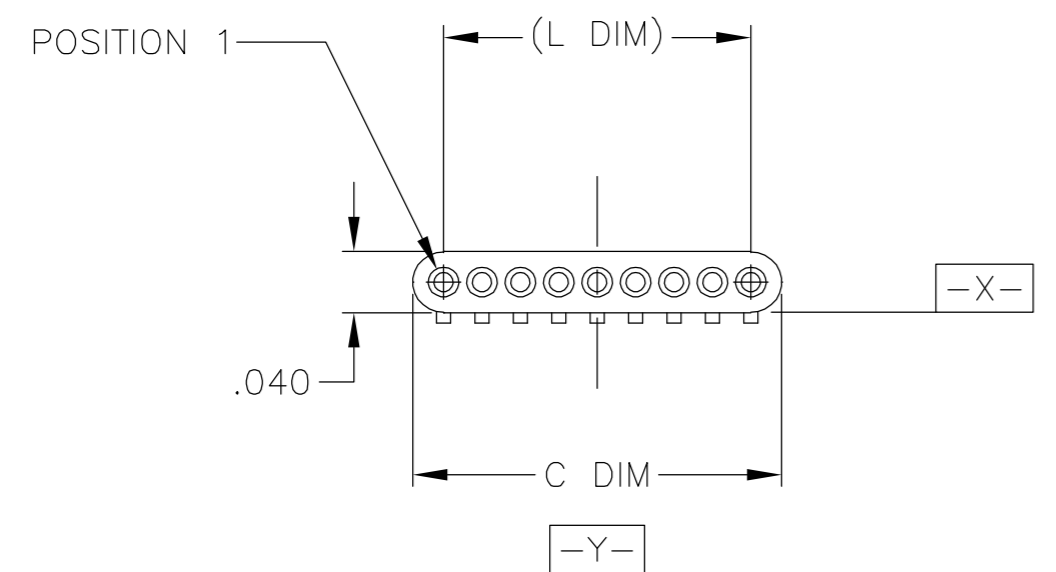
SIZE	A DIM	C DIM	(L DIM)
04	.0375	.115	(.075)
09	.100	.240	(.200)
15	.175	.390	(.350)



5.	25	.300	.640	(.600)
5.	37	.450	.940	(.900)
5.	51	.625	1.290	(1.250)



DETAIL A  
POSITION "T" SHOWN FOR REFERENCE



- T POSITION 1
- U POSITION 2
- V POSITION 3
- W POSITION 1, AND SECOND TO LAST POSITION
- Y POSITION 1, AND THIRD TO LAST POSITION
- Z POSITION 2, AND THIRD TO LAST POSITION

1. INSULATOR MATERIAL: LCP (LIQUID CRYSTAL POLYMER) PER ASTM D5138
2. OPTIONAL POLARIZATION GUIDE POST SHOWN FOR REFERENCE ONLY. IF GUIDE POST(S) ARE REQUIRED, THE LOCATION MUST BE SPECIFIED IN THE NANONICS PART NUMBER. GUIDE POST MATERIAL IS 303 STAINLESS STEEL, PASSIVATED PER SAE-AMS-QQ-P-35.
3. SMT LEADS ARE BeCu, TIN/LEAD PLATED 60/40 COMPOSITION PER SAE-AMS-P-81728
4. TERMINATION CODE: B2
5. WHEN ORDERING THESE SIZES, FIRST CONSULT TYCO ELECTRONICS/NANONICS FOR ADDITIONAL INFORMATION.
6. THIS DRAWING PREVIOUSLY IDENTIFIED AS NANONICS N10138/030

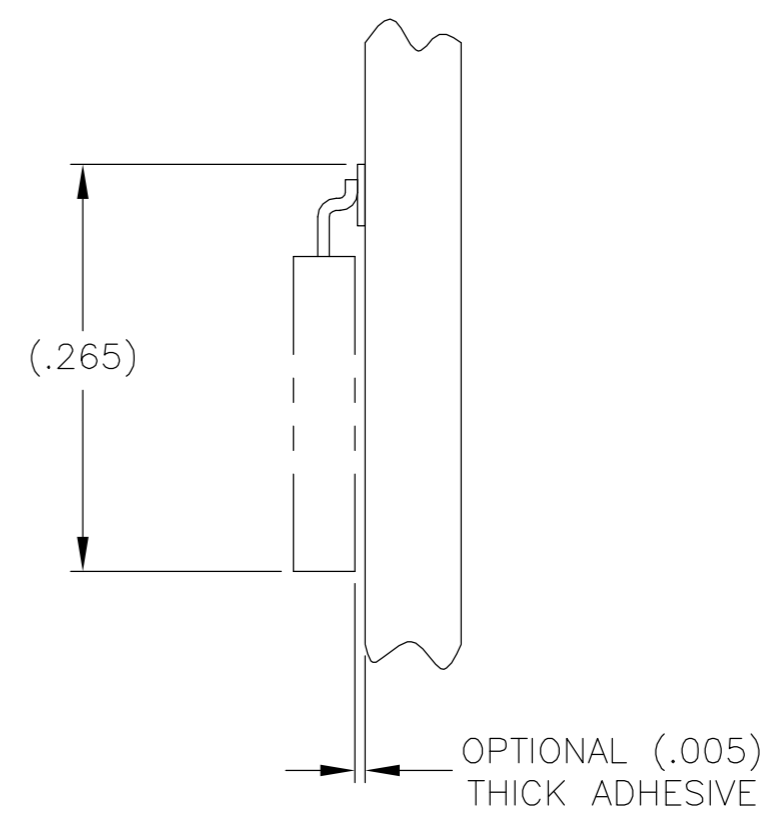
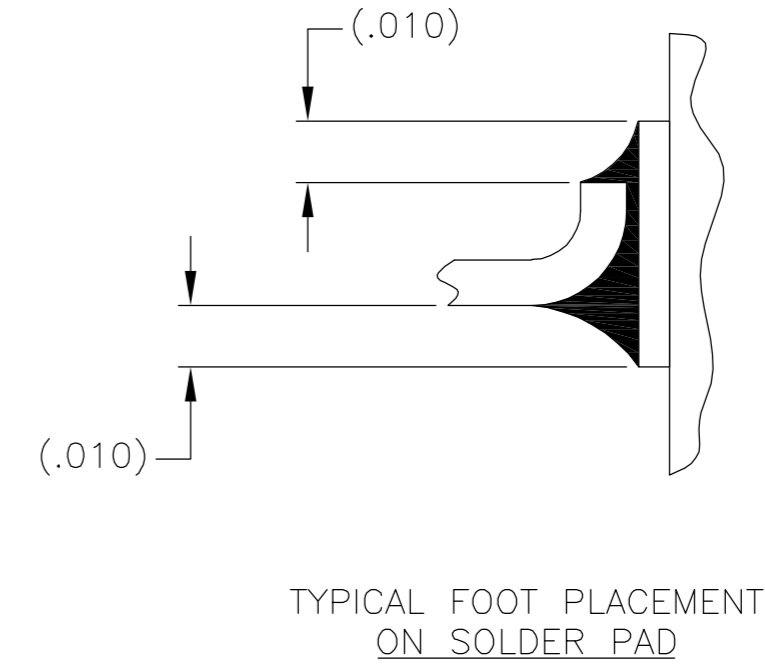
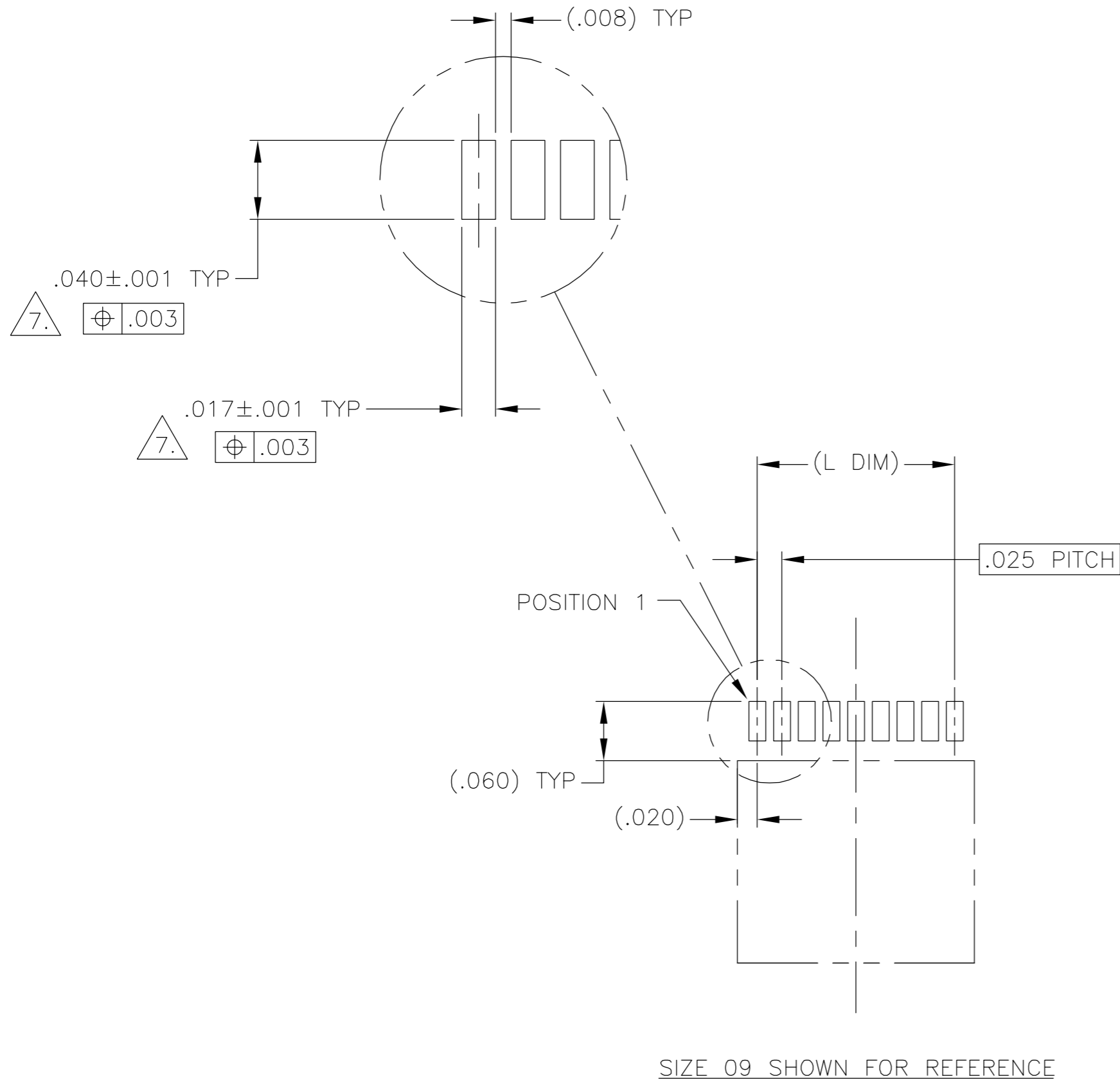
2. POLARIZING GUIDE POST "PGP" POSITIONS, SEE DETAIL A

THIS DRAWING IS A CONTROLLED DOCUMENT.		DWN D. RYAN 16 APR 92	 Tyco Electronics Corporation Harrisburg, PA 17105
DIMENSIONS: INCHES		CHK E. BURGER 16 FEB 93	
TOLERANCES UNLESS OTHERWISE SPECIFIED:		APVD M. STORRY 25 APR 01	NAME PLUG ASSEMBLY, UNSHROUDED STRIP, HORIZONTAL SMT, PLASTIC
0 PLC ± - 1 PLC ± - 2 PLC ± .010 3 PLC ± .005 4 PLC ± - ± 1		PRODUCT SPEC -	SIZE A2
MATERIAL SEE NOTES		FINISH SEE NOTES	CAGE CODE 00779
		WEIGHT -	DRAWING NO C=1589451
		CUSTOMER DRAWING	RESTRICTED TO -
		SCALE 8:1	SHEET 1 OF 2
			REV R

1589451

THIS DRAWING IS UNPUBLISHED. RELEASED FOR PUBLICATION  
 © COPYRIGHT BY TYCO ELECTRONICS CORPORATION. ALL RIGHTS RESERVED.

LOC	DIST	REVISIONS					
DF	DO	P	LTR	DESCRIPTION	DATE	DWN	APVD
		R		UPDATE PER 0H2Y-0008-04	9 JAN 04	CAS	MKS



TYPICAL PCB LAYOUT

7. POSITIONAL TOLERANCES FOR BASIC DIMENSIONED FEATURES ARE RELATIVE TO FIDUCIALS OR SOME SIMILAR DATUM REFERENCE DEFINED BY THE PCB DESIGNER.

THIS DRAWING IS A CONTROLLED DOCUMENT.		DWN	-	 Tyco Electronics Corporation Harrisburg, PA 17105	
DIMENSIONS: INCHES		CHK	-		
TOLERANCES UNLESS OTHERWISE SPECIFIED:		APVD	-		
0 PLC ± - 1 PLC ± - 2 PLC ± - 3 PLC ± - 4 PLC ± - ANGLES ± - FINISH -		NAME	PLUG ASSEMBLY, UNSHROUDED STRIP, HORIZONTAL SMT, PLASTIC		
MATERIAL	-	PRODUCT SPEC	-	SIZE	A2
		APPLICATION SPEC	-	CAGE CODE	00779
		WEIGHT	-	DRAWING NO	C=1589451
		CUSTOMER DRAWING	-	RESTRICTED TO	-
		SCALE	8:1	SHEET	2 OF 2
		REV	R		

## X-ON Electronics

Largest Supplier of Electrical and Electronic Components

*Click to view similar products for [Headers & Wire Housings](#) category:*

*Click to view products by [TE Connectivity](#) manufacturer:*

Other Similar products are found below :

[892-18-020-10-001101](#) [58102-G61-06LF](#) [582553-1](#) [0009485154](#) [009176003701906](#) [0050291907](#) [LY20-4P-DT1-P1E-BR](#) [02.125.8002.8](#)  
[609-3404](#) [61062-3](#) [61082-181009](#) [622-3653LF](#) [63453-116](#) [636-1030](#) [636-1427](#) [636-3427](#) [636-4007](#) [641938-9](#) [641991-4](#) [644827-2](#) [65817-010LF](#) [65817-015LF](#) [65863-015LF](#) [66207-023LF](#) [67095-007LF](#) [67601157](#) [68645-018](#) [68648-049](#) [70.362.1628.0](#) [70-4210](#) [70-4226B](#) [70-4853B](#) [707-5020](#) [707-5028](#) [71.350.2428.0](#) [71918-208LF](#) [71961-016LF](#) [733-134](#) [733-162](#) [754199-000](#) [760-3052](#) [787-8014-00](#) [79531-3000](#)  
[FCN-360C032-B](#) [FCN-367T-T012/H](#) [FCN-723D010/2](#) [80.063.4001.1](#) [800-90-001-10-001000](#) [800-90-010-10-002000](#) [801-43-002-10-013000](#)