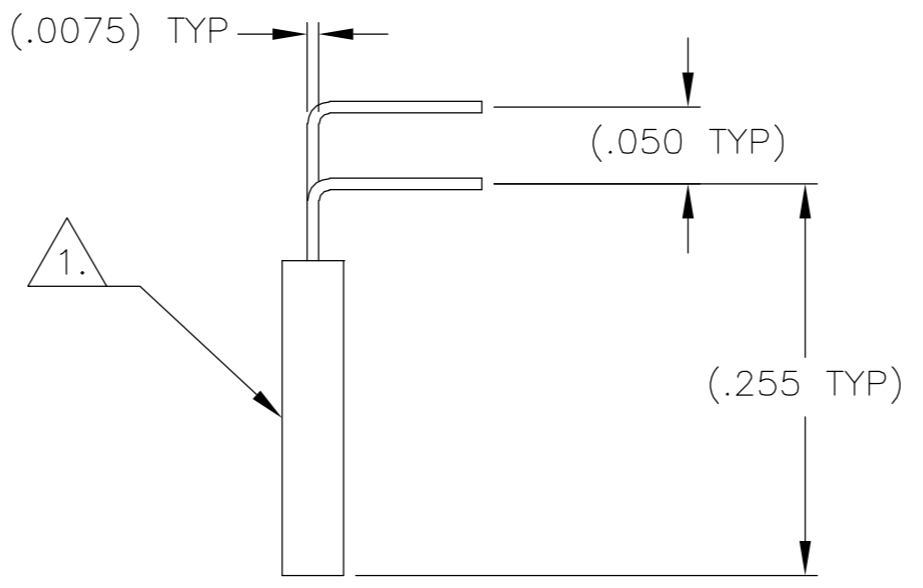
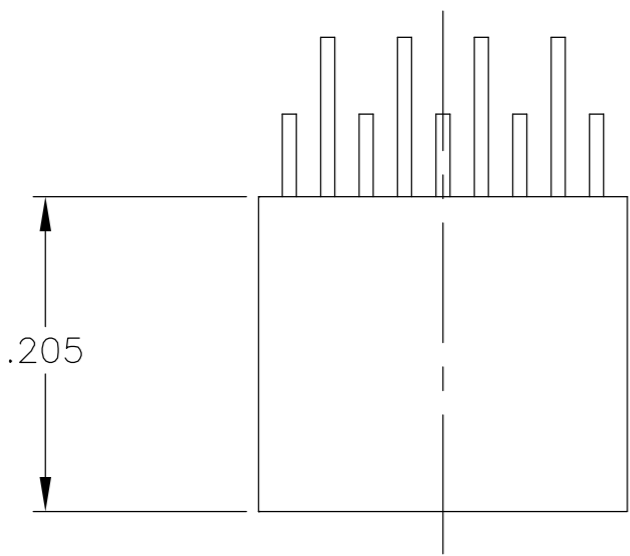


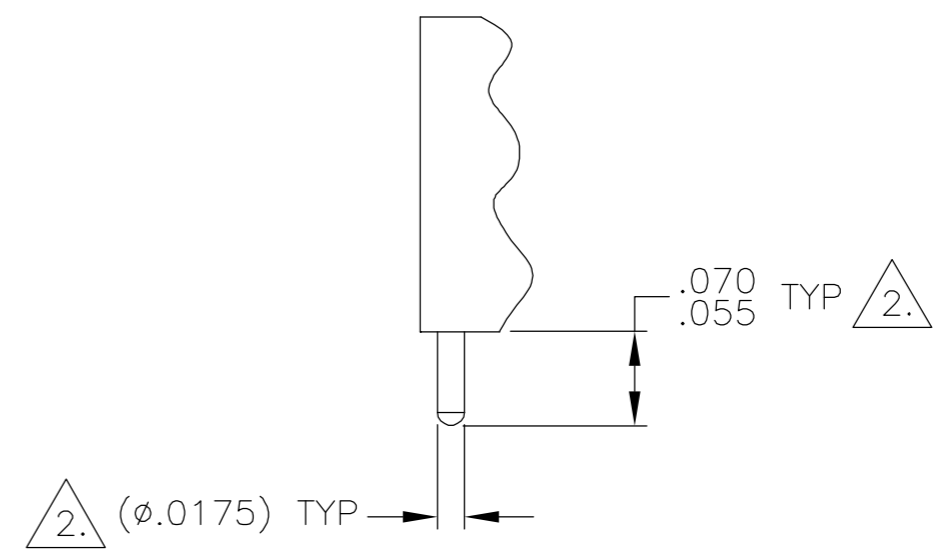
THIS DRAWING IS UNPUBLISHED. RELEASED FOR PUBLICATION
 © COPYRIGHT BY TYCO ELECTRONICS CORPORATION. ALL RIGHTS RESERVED.

LOC	DIST	REVISIONS					
DF	D0	P	LTR	DESCRIPTION	DATE	DWN	APVD
		N		UPDATE PER 0H2Y-0008-04	9 JAN 04	CAS	MKS

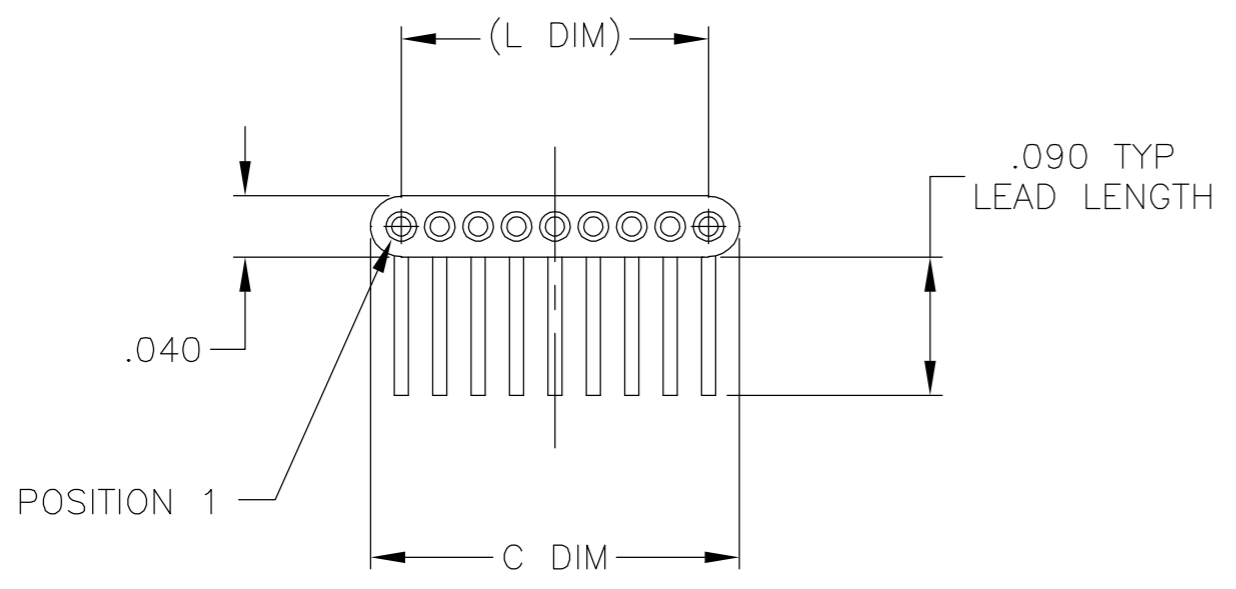
SIZE	C DIM	(L DIM)
04	.115	(.075)
09	.240	(.200)
15	.390	(.350)



SIZE	C DIM	(L DIM)
25	.640	(.600)
37	.940	(.900)
51	1.290	(1.250)



DETAIL A
 POSITION "T" SHOWN FOR REFERENCE



- T ●○○○○○○○○○ POSITION 1
- U ○●○○○○○○○○○ POSITION 2
- V ○○●○○○○○○○○○ POSITION 3
- W ●○○○○○○○○● POSITION 1, AND SECOND TO LAST POSITION
- Y ●○○○○○○●○○○ POSITION 1, AND THIRD TO LAST POSITION
- Z ○●○○○○○○●○○○ POSITION 2, AND THIRD TO LAST POSITION

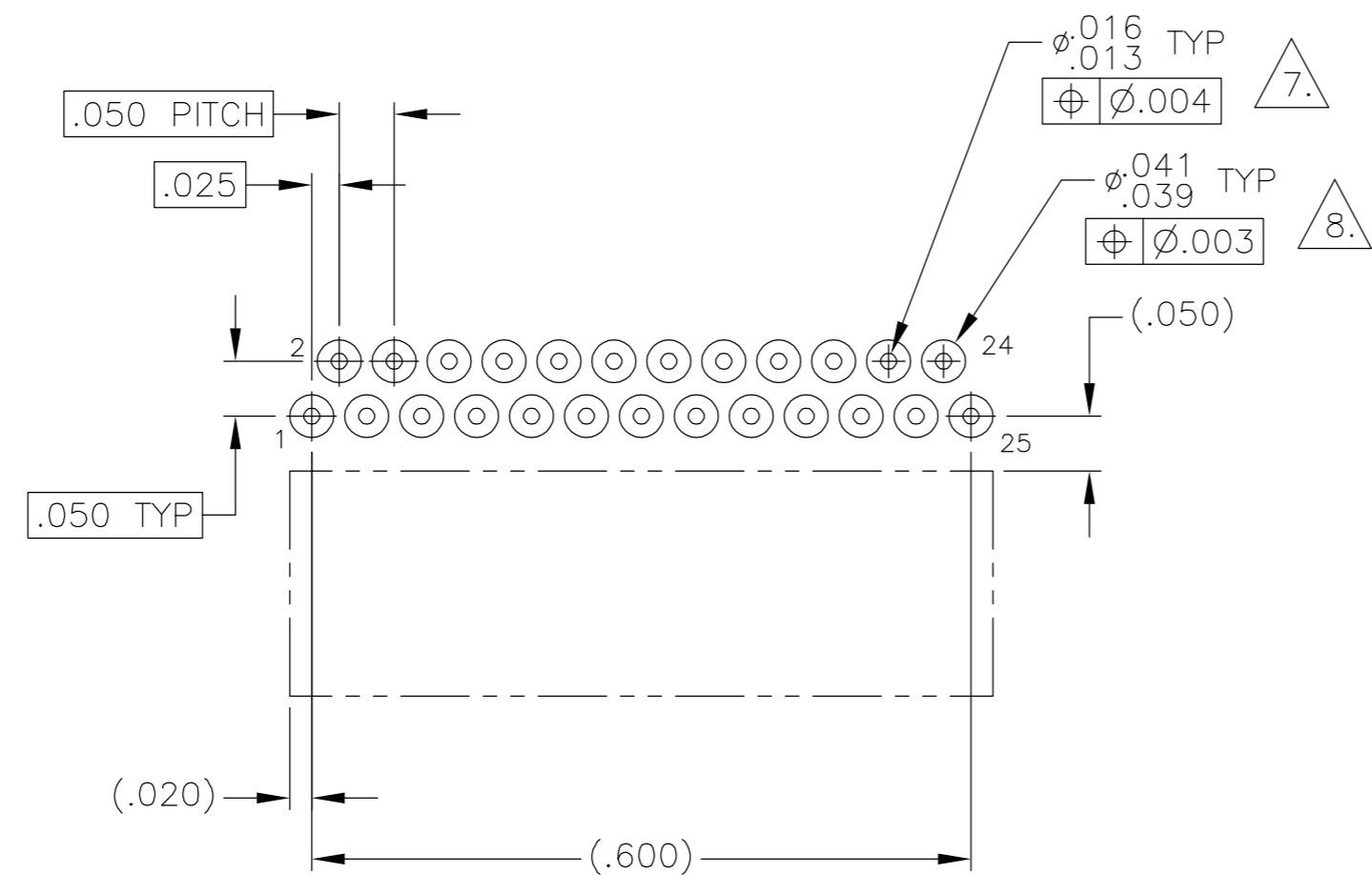
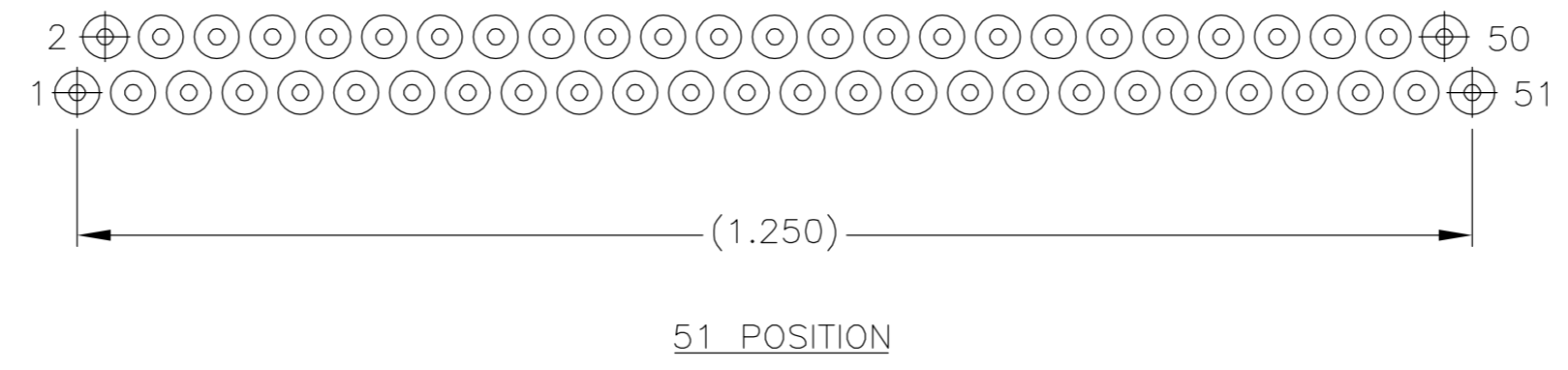
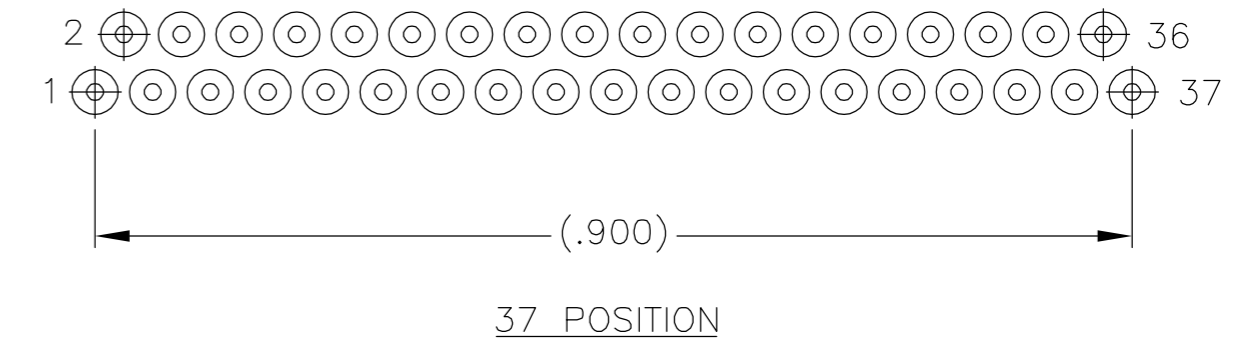
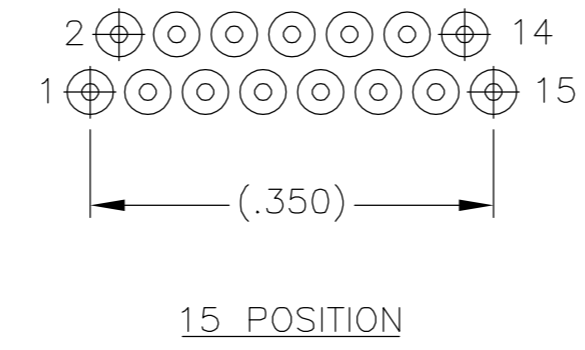
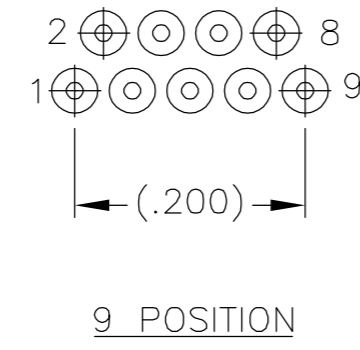
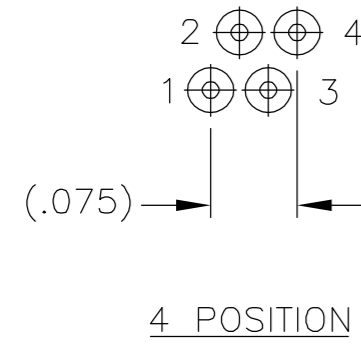
- 1. INSULATOR MATERIAL: LCP (LIQUID CRYSTAL POLYMER) PER ASTM D5138
- 2. OPTIONAL POLARIZATION GUIDE POST SHOWN FOR REFERENCE ONLY. IF GUIDE POST(S) ARE REQUIRED, THE LOCATION MUST BE SPECIFIED IN THE NANONICS PART NUMBER. GUIDE POST MATERIAL IS 303 STAINLESS STEEL, PASSIVATED PER SAE-AMS-QQ-P-35.
- 3. TERMINATION CODE: C6
- 4. WHEN ORDERING THESE SIZES, FIRST CONSULT TYCO ELECTRONICS/NANONICS FOR ADDITIONAL INFORMATION.
- 5. THIS DRAWING PREVIOUSLY IDENTIFIED AS NANONICS N10138/050

2. POLARIZING GUIDE POST "PGP" POSITIONS, SEE DETAIL A

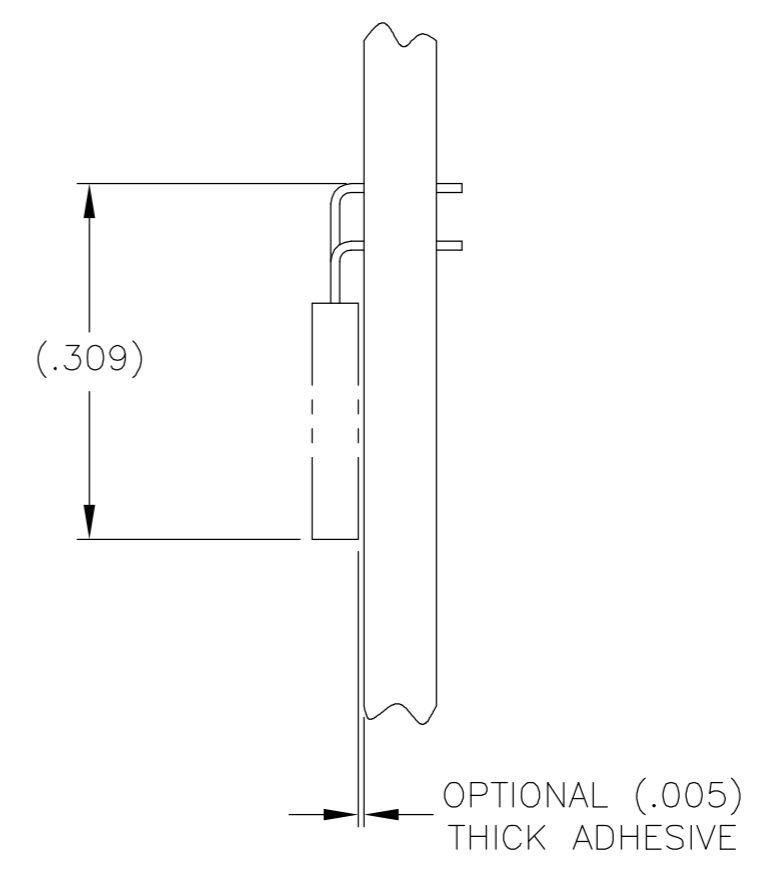
THIS DRAWING IS A CONTROLLED DOCUMENT.		DWN D. RYAN 20 JUN 00	 Tyco Electronics Corporation Harrisburg, PA 17105
DIMENSIONS: INCHES		CHK M. STORRY 21 JUN 00	
TOLERANCES UNLESS OTHERWISE SPECIFIED:		APVD -	NAME
0 PLC ± -		PRODUCT SPEC	PLUG ASSEMBLY, UNSHROUDED STRIP, HORIZONTAL MOUNT, THROUGH HOLE, 1 TO 2 ROW, .050 SPACING
1 PLC ± -		APPLICATION SPEC	
2 PLC ± .010		WEIGHT	SIZE
3 PLC ± .005		SEE NOTES	CAGE CODE
4 PLC ± -			FINISH
ANGLES ± 1		MATERIAL	RESTRICTED TO
SEE NOTES		SEE NOTES	SCALE
MATERIAL		FINISH	SHEET
SEE NOTES		WEIGHT	OF
MATERIAL		WEIGHT	REV
SEE NOTES		CUSTOMER DRAWING	N

THIS DRAWING IS UNPUBLISHED. RELEASED FOR PUBLICATION
 © COPYRIGHT BY TYCO ELECTRONICS CORPORATION. ALL RIGHTS RESERVED.

LOC	DIST	REVISIONS					
DF	D0	P	LTR	DESCRIPTION	DATE	DWN	APVD
		N		UPDATE PER 0H2Y-0008-04	9 JAN 04	CAS	MKS



TYPICAL PCB LAYOUT
 SIZE 25 SHOWN FOR REFERENCE



- 6. POSITIONAL TOLERANCES FOR BASIC DIMENSIONED FEATURES ARE RELATIVE TO FIDUCIALS OR SOME SIMILAR DATUM REFERENCES DEFINED BY PCB DESIGNER.
- 7. PLATED THROUGH HOLES
- 8. SOLDER PADS
- 9. ALL THROUGH HOLE LAYOUTS ARE AS VIEWED FROM TOP OF PCB.

THIS DRAWING IS A CONTROLLED DOCUMENT.		DWN	-	 Tyco Electronics Corporation Harrisburg, PA 17105			
DIMENSIONS: INCHES		CHK	-				
TOLERANCES UNLESS OTHERWISE SPECIFIED:		APVD	-	NAME PLUG ASSEMBLY, UNSHROUDED STRIP, HORIZONTAL MOUNT, THROUGH HOLE, 1 TO 2 ROW, .050 SPACING			
0 PLC ± -		PRODUCT SPEC	-				
1 PLC ± -		APPLICATION SPEC	-	SIZE	CAGE CODE	DRAWING NO	RESTRICTED TO
2 PLC ± -		WEIGHT	-	A2	00779	C=1589453	-
3 PLC ± -		CUSTOMER DRAWING		SCALE	SHEET	OF	REV
4 PLC ± -				6:1	2	2	N
ANGLES ± -							
FINISH -							

1589453

X-ON Electronics

Largest Supplier of Electrical and Electronic Components

Click to view similar products for [Headers & Wire Housings](#) category:

Click to view products by [TE Connectivity](#) manufacturer:

Other Similar products are found below :

[892-18-020-10-001101](#) [58102-G61-06LF](#) [582553-1](#) [0009485154](#) [009176003701906](#) [0050291907](#) [LY20-4P-DT1-P1E-BR](#) [02.125.8002.8](#)
[609-3404](#) [61062-3](#) [61082-181009](#) [622-3653LF](#) [63453-116](#) [636-1030](#) [636-1427](#) [636-3427](#) [636-4007](#) [641938-9](#) [641991-4](#) [644827-2](#) [65817-](#)
[010LF](#) [65817-015LF](#) [65863-015LF](#) [66207-023LF](#) [67095-007LF](#) [67601157](#) [68645-018](#) [68648-049](#) [70.362.1628.0](#) [70-4210](#) [70-4226B](#) [70-](#)
[4853B](#) [707-5020](#) [707-5028](#) [71.350.2428.0](#) [71918-208LF](#) [71961-016LF](#) [733-134](#) [733-162](#) [754199-000](#) [760-3052](#) [79531-3000](#) [FCN-](#)
[360C032-B](#) [FCN-367T-T012/H](#) [FCN-723D010/2](#) [80.063.4001.1](#) [800-90-010-10-002000](#) [801-43-002-10-013000](#) [801-43-006-10-002000](#)
[801-93-011-10-001000](#)