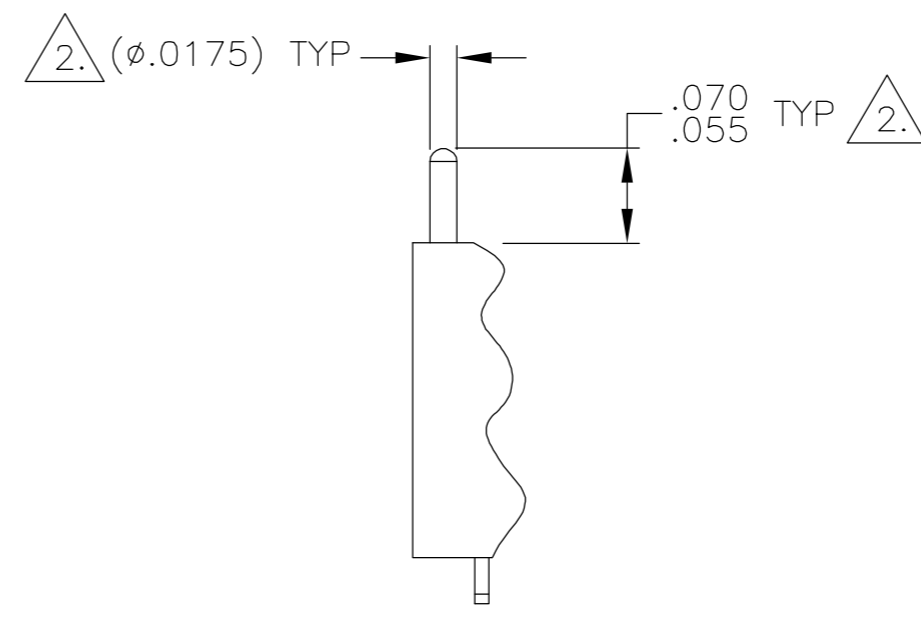
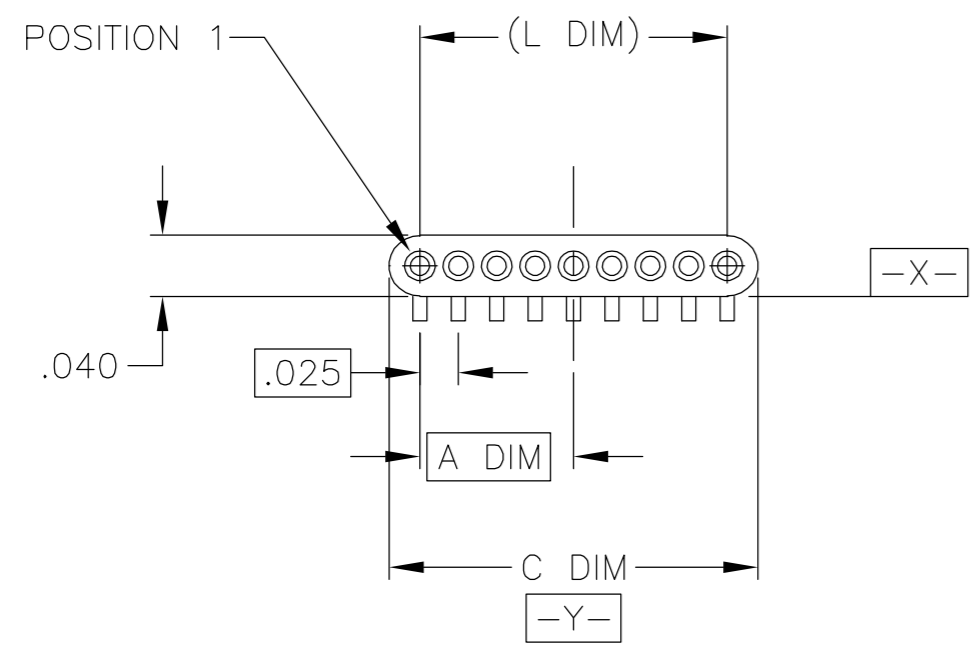


THIS DRAWING IS UNPUBLISHED. RELEASED FOR PUBLICATION
 © COPYRIGHT BY TYCO ELECTRONICS CORPORATION. ALL RIGHTS RESERVED.

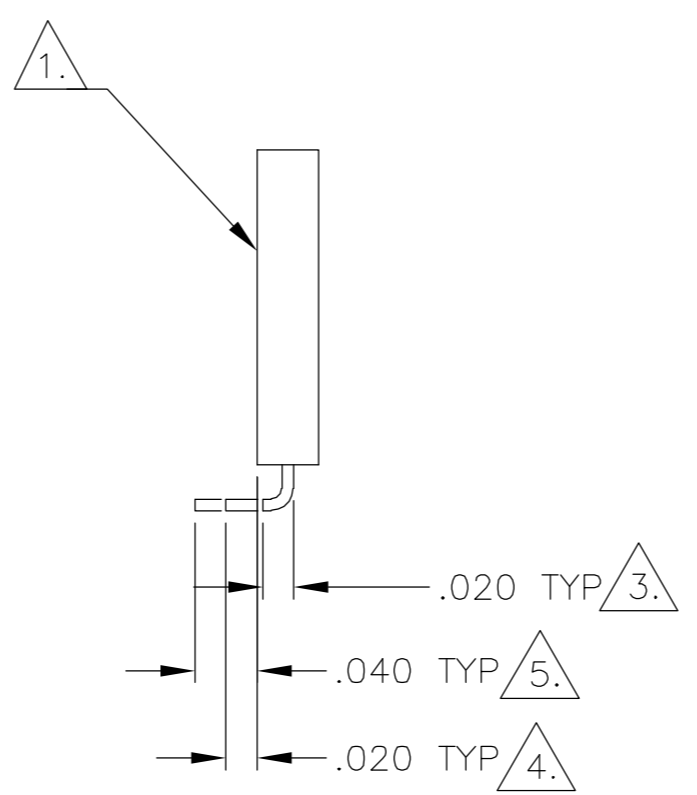
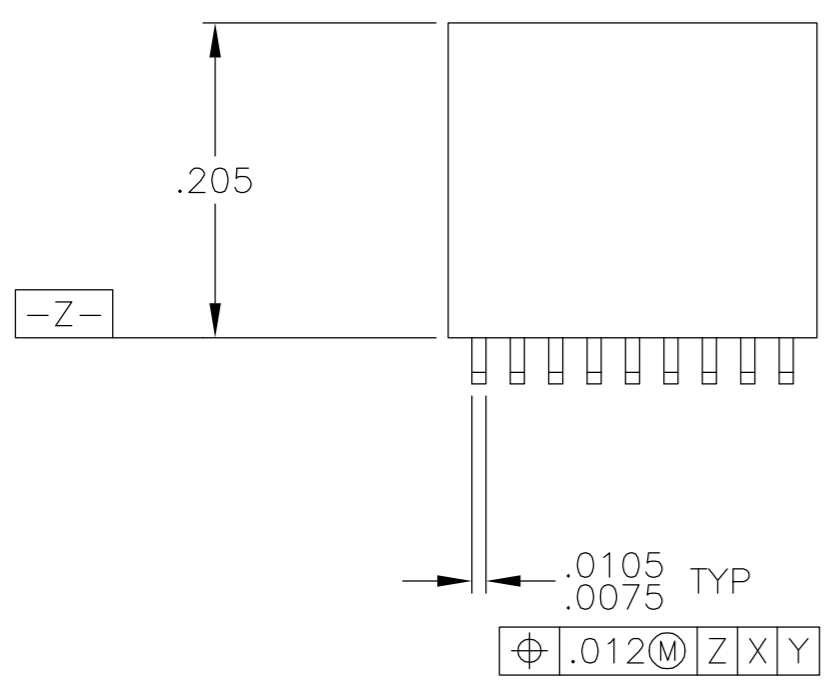
| LOC | | DIST | | REVISIONS | | | |
|-----|-----|-------------------------|--|-----------|-----|------|--|
| P | LTR | DESCRIPTION | | DATE | DWN | APVD | |
| | B | UPDATE PER 0H2Y-0026-04 | | 01-23-04 | JDM | MKS | |



| SIZE | A DIM | C DIM | (L DIM) |
|------|-------|-------|---------|
| 04 | .0375 | .115 | (.075) |
| 09 | .100 | .240 | (.200) |
| 15 | .175 | .390 | (.350) |

| | | | |
|----|------|-------|---------|
| 25 | .300 | .640 | (.600) |
| 37 | .450 | .940 | (.900) |
| 51 | .625 | 1.290 | (1.250) |

DETAIL A
 POSITION "T" SHOWN FOR REFERENCE



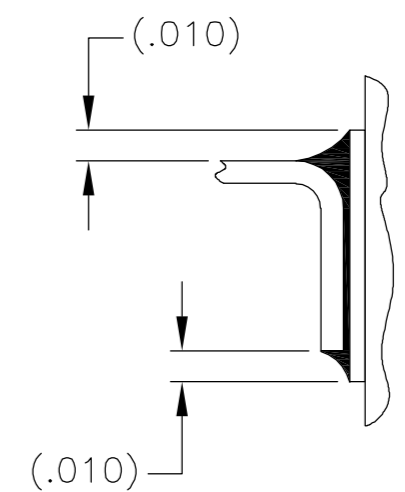
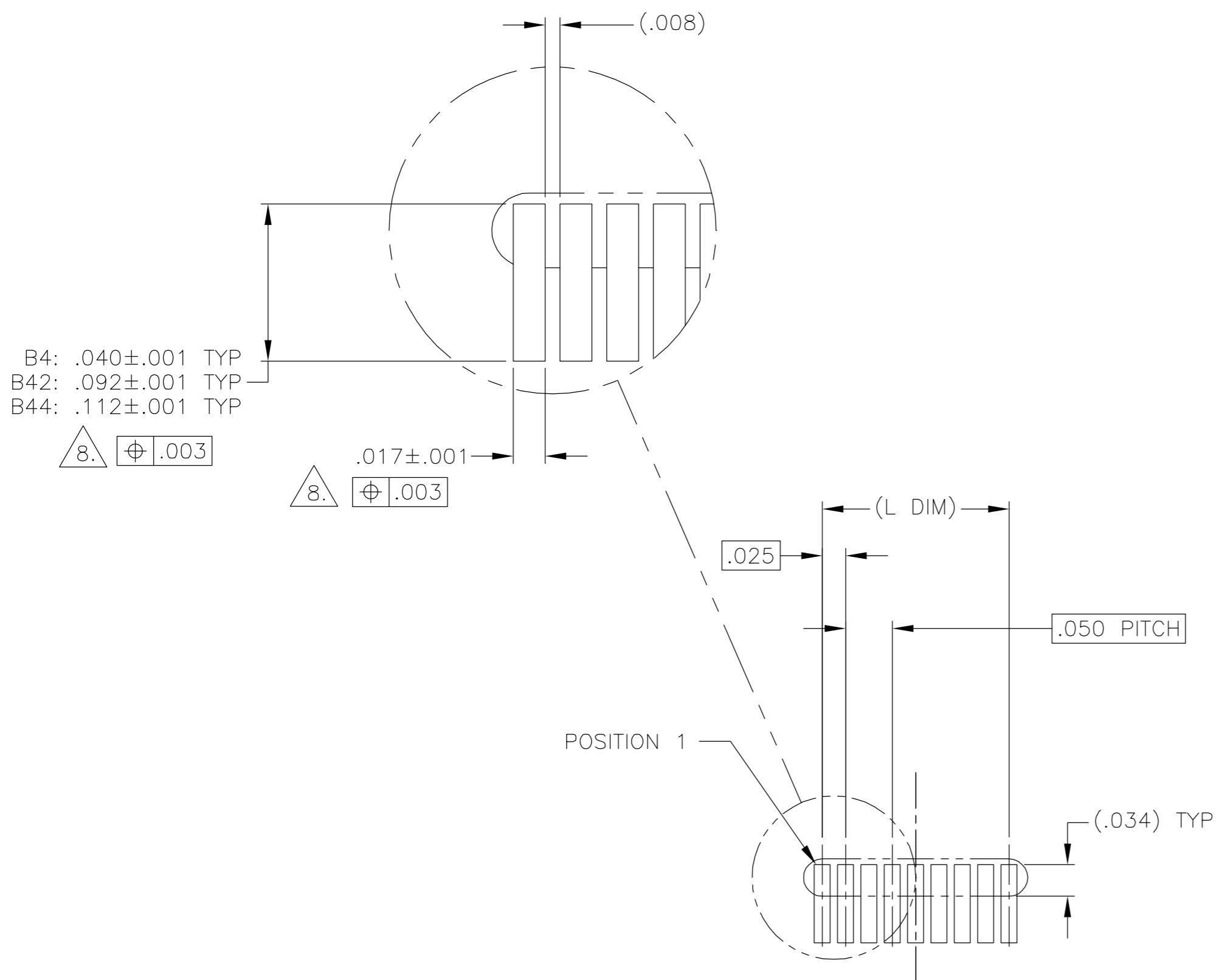
- T POSITION 1
- U POSITION 2
- V POSITION 3
- W POSITION 1, AND SECOND TO LAST POSITION
- Y POSITION 1, AND THIRD TO LAST POSITION
- Z POSITION 2, AND THIRD TO LAST POSITION

- 1. INSULATOR MATERIAL: RYTON (POLYPHENYLENE SULFIDE) PER MIL-M-24519 OR LCP PER ASTM D5138
- 2. OPTIONAL POLARIZATION GUIDE POST SHOWN FOR REFERENCE ONLY. IF GUIDE POST(S) ARE REQUIRED, THE LOCATION MUST BE SPECIFIED IN THE NANONICS PART NUMBER. GUIDE POST MATERIAL IS 303 STAINLESS STEEL, PASSIVATED PER SAE-AMS-QQ-P-35.
- 3. TERMINATION CODE: B4 4. TERMINATION CODE: B42 5. TERMINATION CODE: B44
- 6. WHEN ORDERING THESE SIZES, FIRST CONSULT TYCO ELECTRONICS/NANONICS FOR ADDITIONAL INFORMATION.
- 7. THIS DRAWING PREVIOUSLY IDENTIFIED AS NANONICS N10138/060

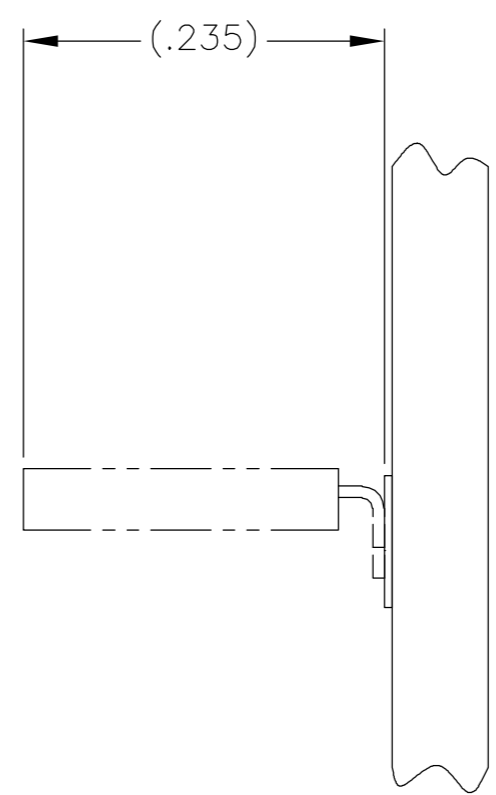
| | | | |
|--|--|--------------------------|--|
| THIS DRAWING IS A CONTROLLED DOCUMENT. | | DWN C. SCHOLL 12-12-02 | Tyco Electronics Corporation Harrisburg, PA 17105 |
| DIMENSIONS: INCHES | | CHK M. STORRY 12-13-02 | |
| TOLERANCES UNLESS OTHERWISE SPECIFIED: | | APVD D. MORALES 01-27-04 | NAME PLUG ASSEMBLY, UNSHROUDED STRIP, VERTICAL SMT, PLASTIC |
| 0 PLC ± - 1 PLC ± - 2 PLC ± .010 3 PLC ± .005 4 PLC ± - ANGLES ± 1° | | PRODUCT SPEC | |
| MATERIAL SEE NOTES | | FINISH SEE NOTES | APPLICATION SPEC WEIGHT - CUSTOMER DRAWING |
| | | SCALE 8:1 | SIZE A2 CAGE CODE 00779 DRAWING NO C=1589775 RESTRICTED TO - SHEET 1 OF 2 REV B |

THIS DRAWING IS UNPUBLISHED. RELEASED FOR PUBLICATION
 © COPYRIGHT BY TYCO ELECTRONICS CORPORATION. ALL RIGHTS RESERVED.

| LOC | DIST | REVISIONS | | | | | |
|-----|------|-----------|-----|-------------------------|----------|-----|------|
| DF | DO | P | LTR | DESCRIPTION | DATE | DWN | APVD |
| | | B | | UPDATE PER 0H2Y-0026-04 | 01-23-04 | JDM | MKS |



TYPICAL FOOT PLACEMENT ON SOLDER PAD



SIZE 09 SHOWN FOR REFERENCE

TYPICAL PCB LAYOUT

8. POSITIONAL TOLERANCES FOR BASIC DIMENSIONED FEATURES ARE RELATIVE TO FIDUCIALS OR SOME SIMILAR DATUM REFERENCE DEFINED BY THE PCB DESIGNER.

| | | | | | | |
|--|--|----------------------------------|---|--------------------|-------------------------|----------|
| THIS DRAWING IS A CONTROLLED DOCUMENT. | | DWN C. SCHOLL 12-12-02 | Tyco Electronics Corporation Harrisburg, PA 17105 | | | |
| DIMENSIONS: INCHES | | CHK M. STORRY 12-13-02 | | | | |
| TOLERANCES UNLESS OTHERWISE SPECIFIED: | | APVD D. MORALES 01-27-04 | NAME PLUG ASSEMBLY, UNSHROUDED, STRIP, VERTICAL SMT, PLASTIC | | | |
| 0 PLC ± - 1 PLC ± - 2 PLC ± .010 3 PLC ± .005 4 PLC ± - ± 1° | | PRODUCT SPEC APPLICATION SPEC | SIZE A2 | CAGE CODE 00779 | DRAWING NO C=1589775 | |
| MATERIAL - | | FINISH - | WEIGHT - | SCALE 8:1 | SHEET 2 OF 2 | REV B |
| CUSTOMER DRAWING | | | RESTRICTED TO | | | |

X-ON Electronics

Largest Supplier of Electrical and Electronic Components

Click to view similar products for [Headers & Wire Housings](#) category:

Click to view products by [TE Connectivity](#) manufacturer:

Other Similar products are found below :

[892-18-020-10-001101](#) [58102-G61-06LF](#) [582553-1](#) [0009485154](#) [009176003701906](#) [0050291907](#) [LY20-4P-DT1-P1E-BR](#) [02.125.8002.8](#)
[609-3404](#) [61062-3](#) [61082-181009](#) [622-3653LF](#) [63453-116](#) [636-1030](#) [636-1427](#) [636-3427](#) [636-4007](#) [641938-9](#) [641991-4](#) [644827-2](#) [65817-010LF](#) [65817-015LF](#) [65863-015LF](#) [66207-023LF](#) [67095-007LF](#) [67601157](#) [68645-018](#) [68648-049](#) [70.362.1628.0](#) [70-4210](#) [70-4226B](#) [70-4853B](#) [707-5020](#) [707-5028](#) [71.350.2428.0](#) [71918-208LF](#) [71961-016LF](#) [733-134](#) [733-162](#) [754199-000](#) [760-3052](#) [787-8014-00](#) [79531-3000](#)
[FCN-360C032-B](#) [FCN-367T-T012/H](#) [FCN-723D010/2](#) [80.063.4001.1](#) [800-90-001-10-001000](#) [800-90-010-10-002000](#) [801-43-002-10-013000](#)