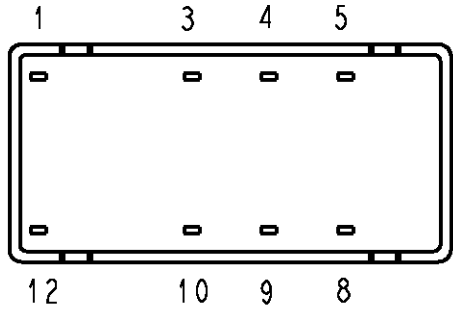
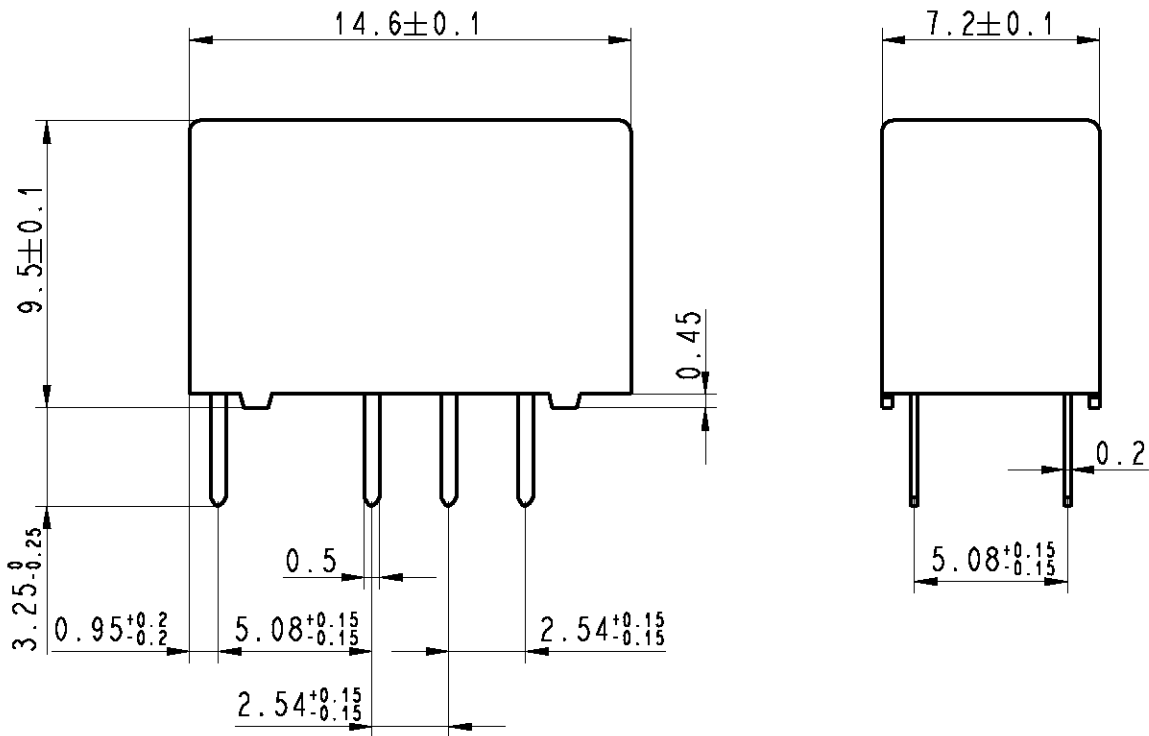


|     |      |           |     |                           |         |     |      |
|-----|------|-----------|-----|---------------------------|---------|-----|------|
| LOC | DIST | REVISIONS |     |                           |         |     |      |
| HJ  | -    | P         | LTR | DESCRIPTION               | DATE    | DWN | APVD |
|     |      |           | C2  | REVISED PER ECO-11-005150 | 25MAR11 | RK  | HMR  |



Relay - bottom view



xx = Relay type  
YYWD = Date code

DRAWING ALIAS C23303-A079-A001

RELEASED FOR PUBLICATION

ALL RIGHTS RESERVED.

THIS DRAWING IS UNPUBLISHED.

BY -  
© COPYRIGHT

|   |                  |   |           |          |   |        |   |
|---|------------------|---|-----------|----------|---|--------|---|
| DIMENSIONS:<br>mm                                 | DWN              | Korytak   | 02Jun2004 | MATERIAL | - | FINISH | - |
|   | CHK              | Korytak   | 02Jun2004 |          |   |        |   |
| TOLERANCES UNLESS OTHERWISE SPECIFIED: DIN 7168-m | APVD             | Korytak   | 02Jun2004 |          |   |        |   |
| 0 PLC ±-  | PRODUCT SPEC     | NAME<br>P2-Relay THT<br>Dimensions                                |           |          |   |        |   |
| 1 PLC ±   | -                |   |           |          |   |        |   |
| 2 PLC ±   | APPLICATION SPEC | SIZE CAGE CODE DRAWING NO RESTRICTED TO<br>A4 00779 C-1393789-2 - |           |          |   |        |   |
| 3 PLC ±   | -                |   |           |          |   |        |   |
| 4 PLC ±   | WEIGHT           | CUSTOMER DRAWING SCALE 4:1 SHEET 1 OF 1 REV C2                    |           |          |   |        |   |
| ANGLES ±-   | -                |   |           |          |   |        |   |

## X-ON Electronics

Largest Supplier of Electrical and Electronic Components

*Click to view similar products for [Low Signal Relays - PCB category](#):*

*Click to view products by [TE Connectivity manufacturer](#):*

Other Similar products are found below :

[LZN4-US-DC12](#) [LZNQ4-US-DC24](#) [LZNQ4-US-DC48](#) [6-1393813-4](#) [6-1462039-0](#) [6-1617347-5](#) [6-1617353-3](#) [6-1617529-6](#) [M39016/20-054M](#) [M39016/27-030M](#) [67RPCX-3](#) [MAHC-5494](#) [D3493L](#) [7-1393809-0](#) [7-1393813-3](#) [741B8](#) [7556072001](#) [MF-11AM-24](#) [MF1201N12](#) [MF-17A-24](#) [FBR244D012/02CP](#) [FBR244D024/02CS](#) [80.010.4522.1](#) [FL-4036](#) [FLH-11D-6](#) [831A7](#) [MMS124](#) [FTR-B4GA006Z](#) [FW1102S06](#) [FW1201S39](#) [FW1210S02](#) [FW1521S01](#) [FW5A1201S14](#) [9-1393813-6](#) [9-1617582-5](#) [G6AK-2-H-DC5](#) [G6E-184P-ST-US-DC48](#) [G6G234CDC24](#) [A07A939BZ1-0388](#) [A150-0005](#) [PZ-2A2420](#) [HB1-DC6V](#) [HB1-DC9V](#) [R10-14A10-240](#) [R10-14D10-12](#) [R10-5A10-120F](#) [R10-E1L8-S200](#) [R10-E2468-1](#) [R10-E4Z2-V700](#) [R10-T1L2N-115V](#)