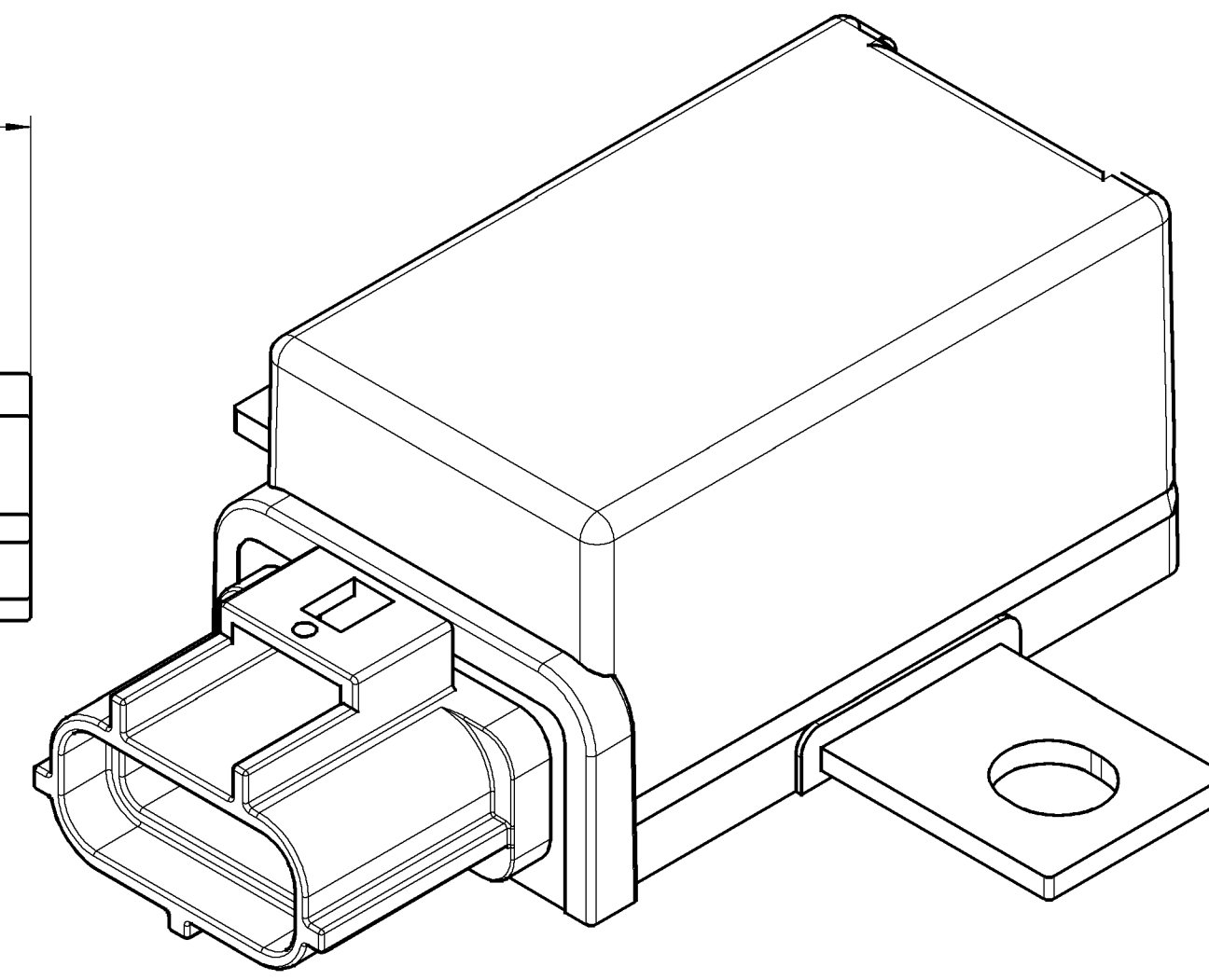
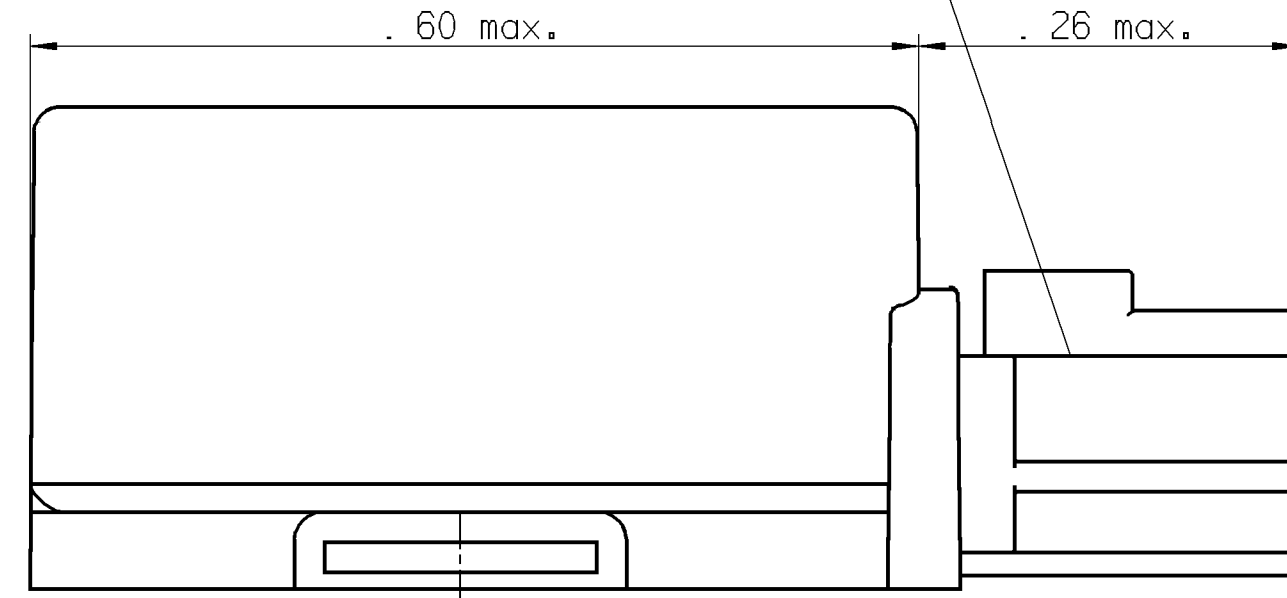
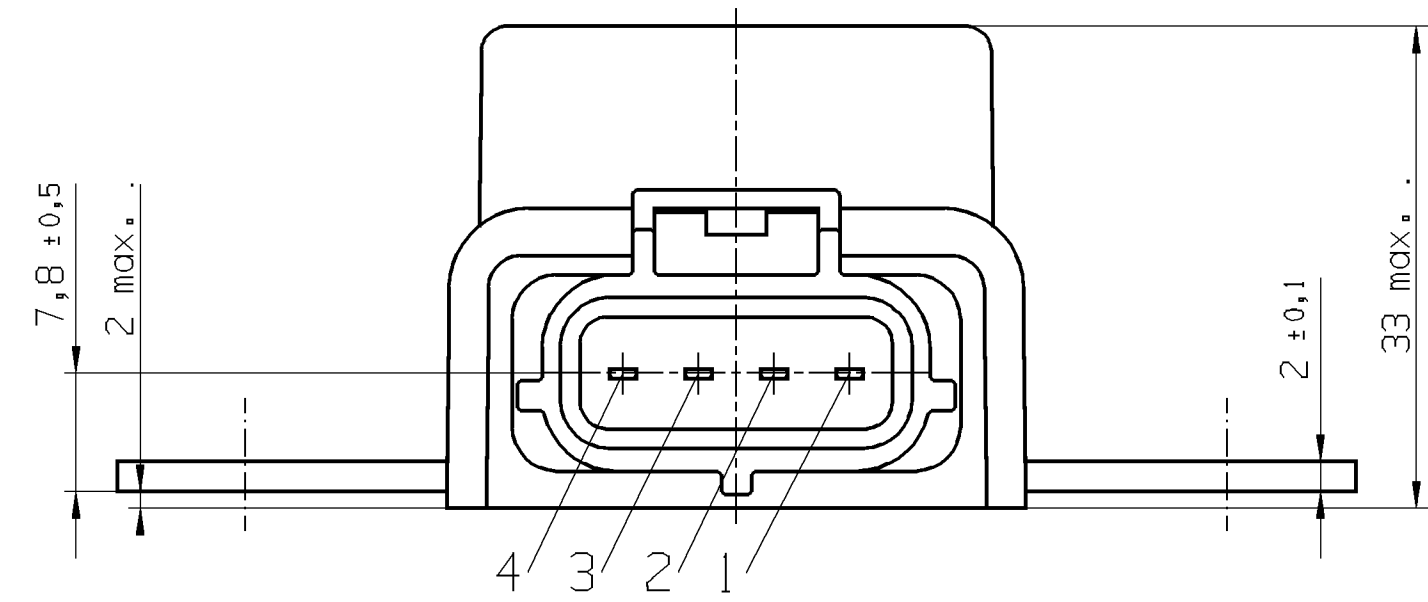
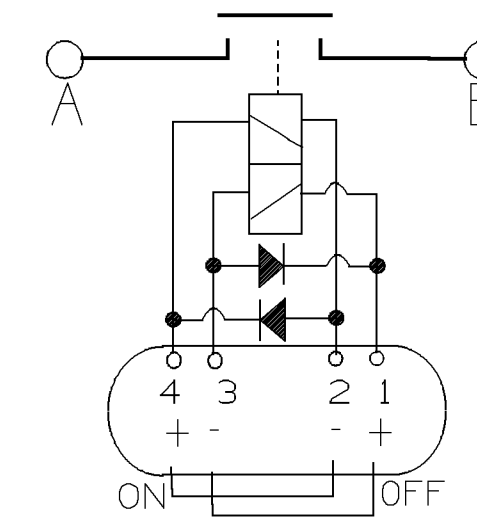


AMP Sensor Connector 4-Position 0.070 Series,
appropriate for AMP part no. 184046-1



3D-VIEW

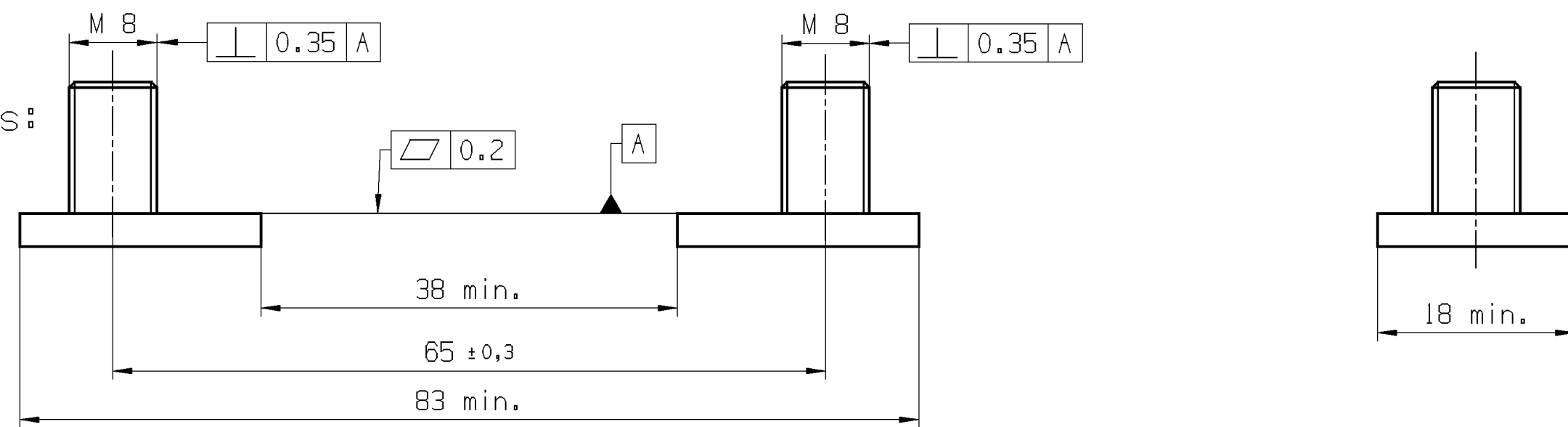
Pin Assignment



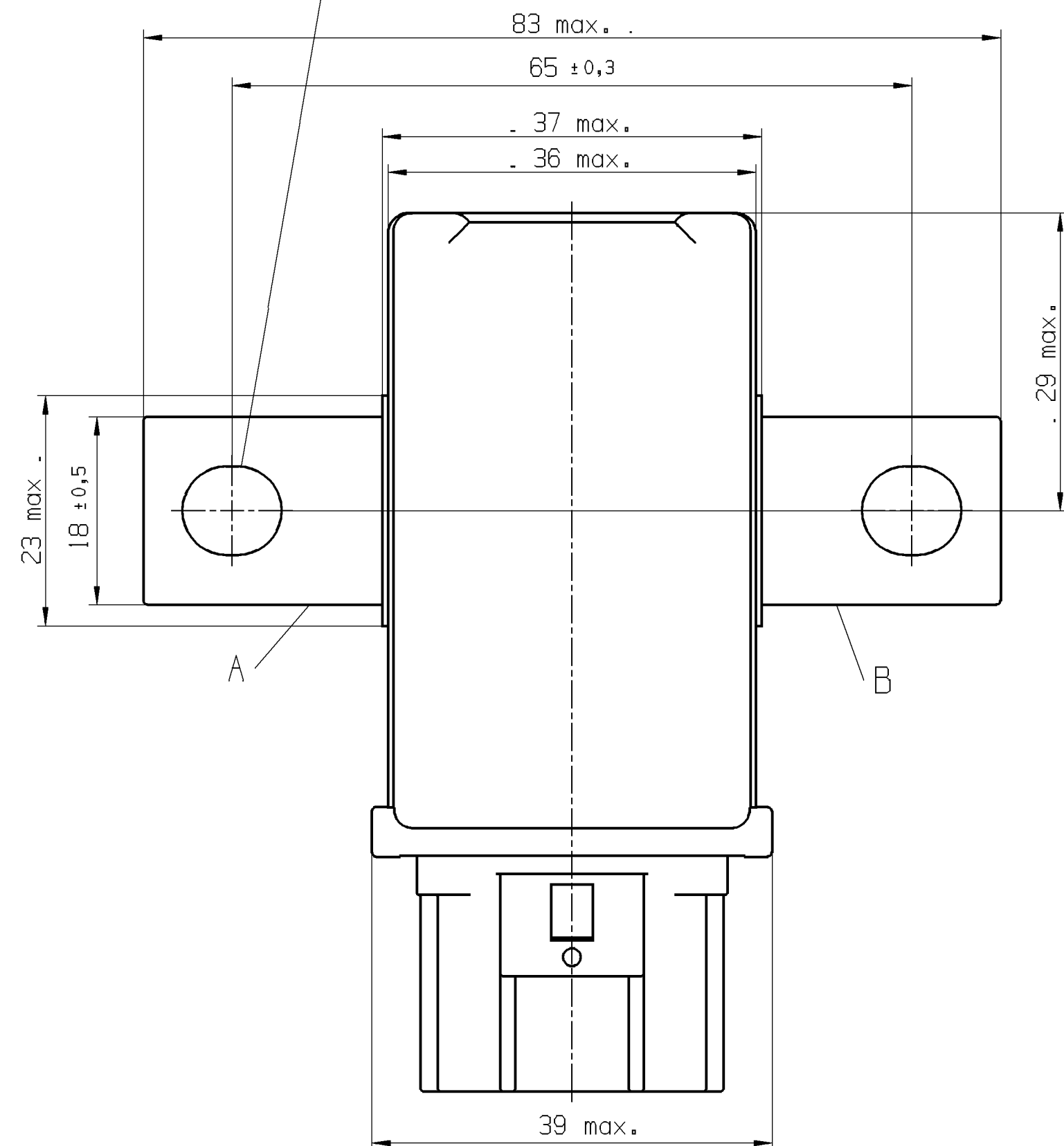
Terminal	Function
4	Set Coil (+)
3	Reset Coil (-)
2	Set Coil (-)
1	Reset Coil (+)
A	Load Terminal
B	Load Terminal

Set = A and B get connected

Mounting Conditions:



Permitted Screwing Torque: 13Nm max.
This screwing torque will not cause any defect on the relay



Tyco Electronics Part Number
1-1414939-4

PROPRIETARY <small>THE REPRODUCTION, TRANSMISSION OR USE OF THIS DOCUMENT OR IT'S CONTENTS IS NOT PERMITTED WITHOUT EXPRESSED WRITTEN AUTHORITY. OFFENDERS WILL BE LIABLE FOR ALL DAMAGES. ALL RIGHTS, INCLUDING RIGHTS CREATED BY REGISTERED PATENTS ARE GRANTED FOR A UTILITY MODEL OR DESIGN, ARE RESERVED.</small>		CHANGES TO THIS DRAWING MUST BE DONE ONLY IN CAD		PAPER SIZE A1
APPLICABLE SPEC. :		FINISH		
DIMENSIONS APPLY		PLATING		SCALE 2:1
TOLERANCE UNLESS SPECIFIED OTHERWISE ISO 2768-CL		MATERIAL		
DIMENSIONS IN MM		PART NAME BDS-A 14V Latching		
DATE 28.02.2002		PART NO. V23130-C2021-A412-CD		
NAME Th. Hasmei		Tyco Electronics		
REV. :		LOCATION Bin P		
Initial 2007-09-18		APP. :		
CHANGE ORDER		DATE		

X-ON Electronics

Largest Supplier of Electrical and Electronic Components

Click to view similar products for [Automotive Relays](#) category:

Click to view products by [TE Connectivity](#) manufacturer:

Other Similar products are found below :

[7-1414968-8](#) [7-1617345-6](#) [9-1617516-5](#) [G5CE1ASIDC12](#) [1393204-2](#) [1393302-3](#) [13Z99A115-0074](#) [1432872-1](#) [AR4-15F11-S01](#) [AR4-15H11](#)
[1617057-2](#) [1617058-6](#) [1617518-5](#) [2-1617057-2](#) [2-1617057-6](#) [2-1617058-3](#) [CB1F-M-12V-H15](#) [898H-1AH-D-001-12VDC](#) [AR4-11F11](#)
[AR4-15F11](#) [AR4-41F11](#) [24198-1](#) [4-1617057-0](#) [41FZ-200ACG-BSL](#) [5-1616920-2](#) [5-1617052-9](#) [5407-0011-HS](#) [CB1AF-M-12V-H59](#) [5-](#)
[1617346-8](#) [103-1AH-C-12VDC](#) [V23134A1052X299](#) [6-1393302-1](#) [897H-1AH-D-R1-U01-12VDC](#) [FTR-P3CP024W1-06](#) [1-1617057-8](#) [3-](#)
[1393305-1](#) [5436-0001-HS](#) [V23086-R1851-A502](#) [V23136-A0004-X075](#) [898H-1AH-D1SW-R1-12VDC](#) [RH4C1P2607](#) [RE031005](#)
[V23134M0052G242](#) [1393204-1](#) [23234B0001X001-EV-144](#) [AZ979-1A-24D](#) [2-1904020-1](#) [V23134B0052C642](#) [V23134B0053C642](#) [V23234-](#)
[A1001-X036](#)