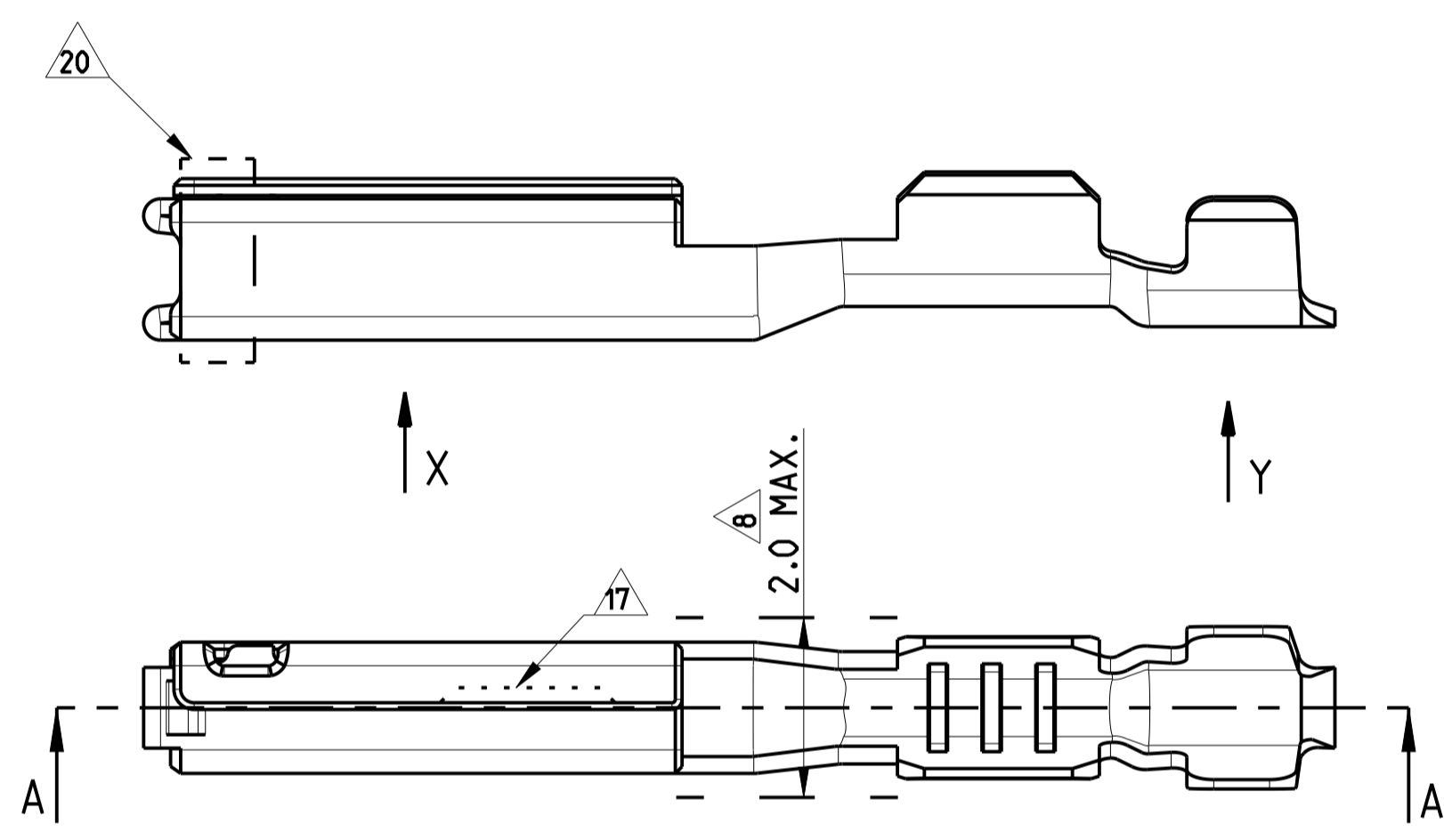
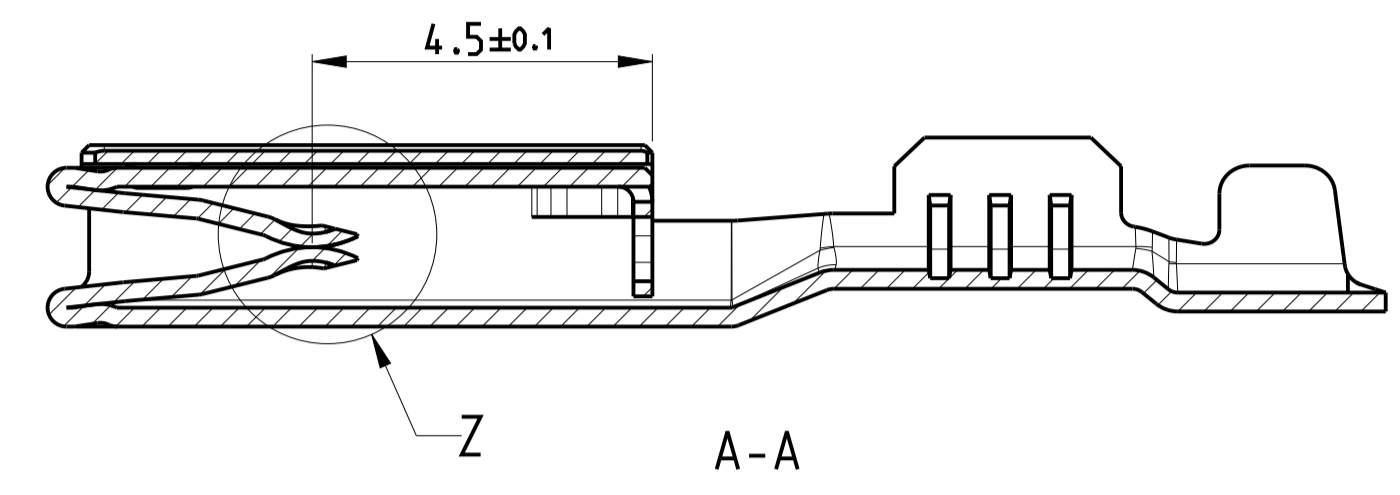
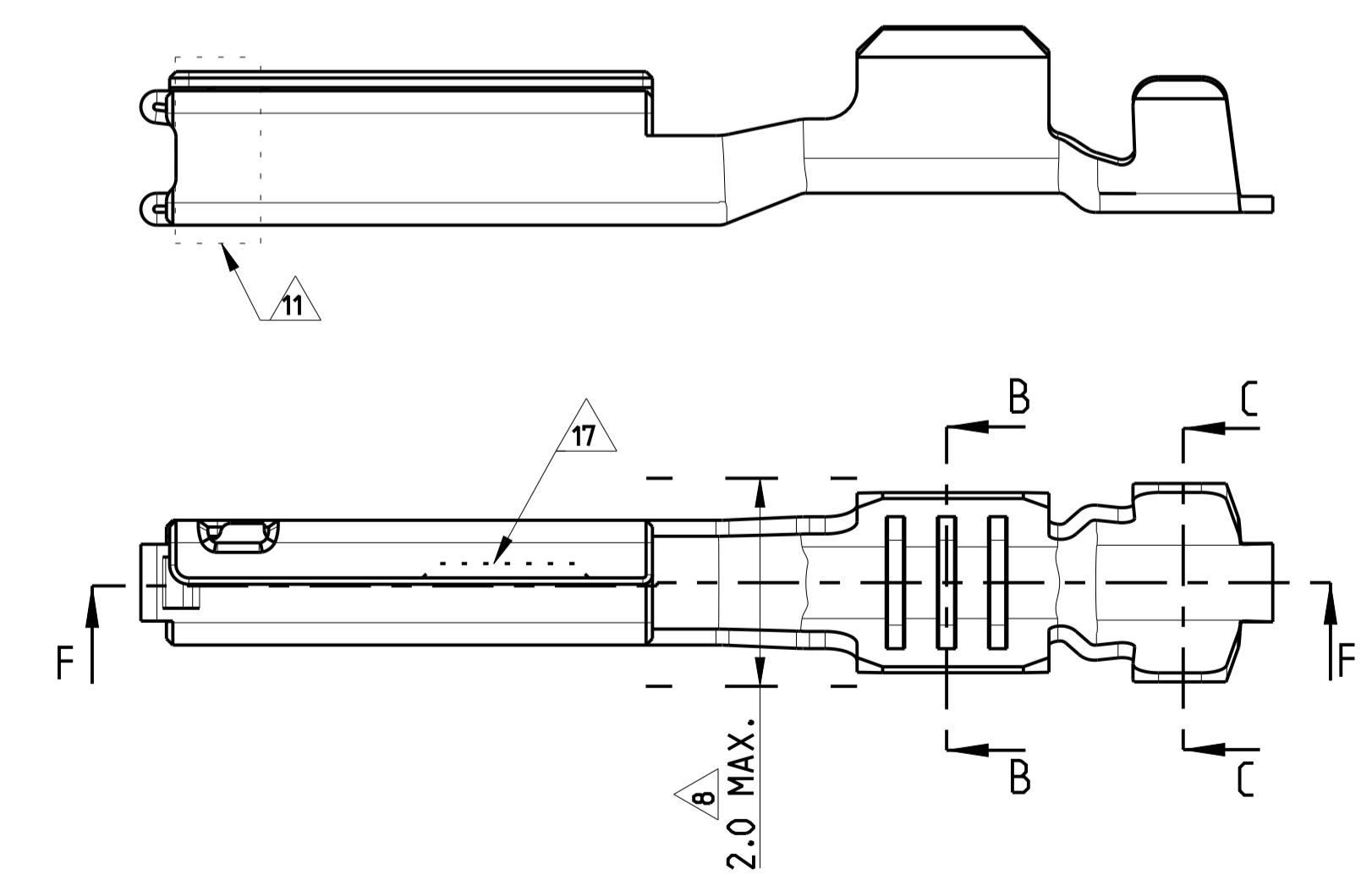
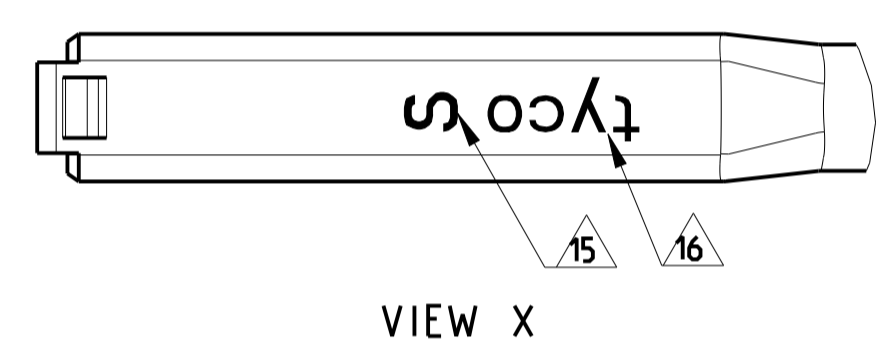


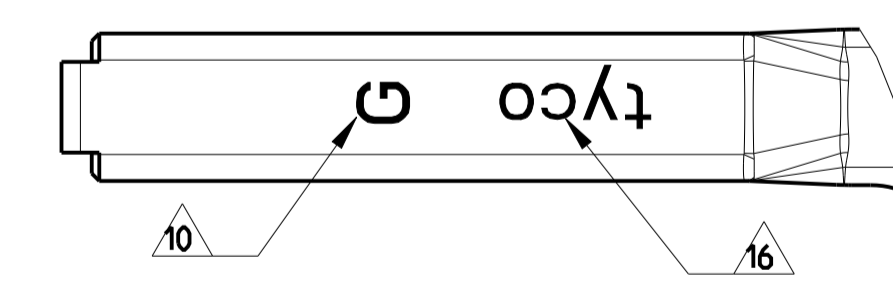
TIN-VERSION ²³



SILVER-VERSION ⁴



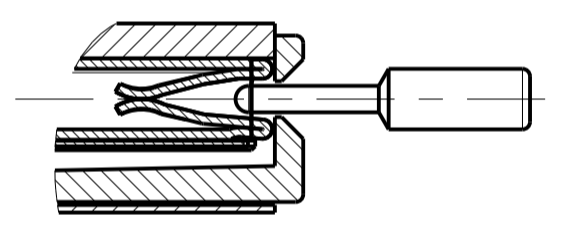
GOLD-VERSION ⁴



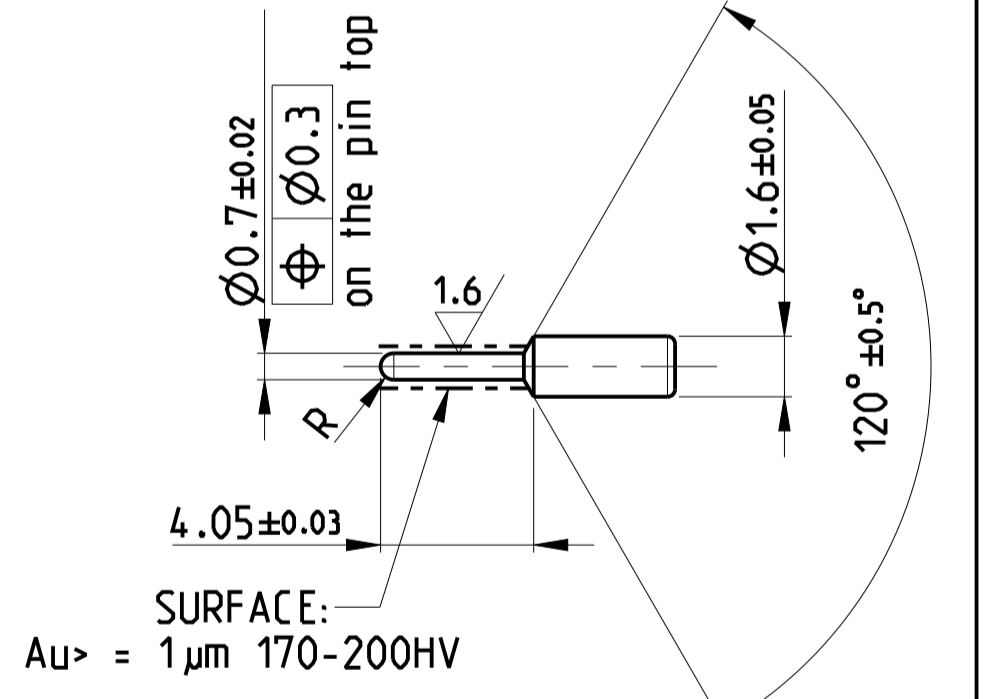
REVISIONS				
P	LTN	DESCRIPTION	DATE	APPD
C		SEE ECR-14-012287	01SEP2014	SS GS
C1		ECR-15-010934	23JUL2015	SS GS
D		REV PER ECO-20-007097	14OCT2020	GTG WW
D1		REV PER ECO-21-002916	08MAR2021	RGV WW

- NOTES:
- MATERIAL: COPPER ALLOY. MATERIAL THICKNESS 1-0.25±0.01
 - MUST BE FREE OF CRACKS AND BURRS THAT AFFECT FUNCTIONS.
 - WHEN A TIN/GOLD PLATED TERMINAL IS USED ON THE MALE SIDE THEN THE CORRESPONDING PLATING (TIN OR GOLD) MUST BE USED ON THE FEMALE TERMINAL.
 - NICKEL UNDERPLATE 0.1µm MIN. UNLESS OTHERWISE NOTED.
 - 0.2 mm MAX RADIUS PERMISSIBLE ON EDGES AND FILLETS SHOWN AS SHARP FOR STAMPING PARTS.
 - GOLD PLATING 0.76µm MIN. OVER NICKEL 1.8µm MIN. (CONTACT AREA ONLY).
 - LUBRICATION: OPTIMOL
 - THE WIDTH OF THE TRANSITION (INDICATED AREA) MAY NOT EXCEED 2.0MM
 - TE CONNECTIVITY-CRIMP SPECIFICATION: 114-13060
 - "G" MARKING TO IDENTIFY Au VERSION
 - GOLD PLATING (±0.38µm Au) FOR GOLD SHORTING BAR APPLICATIONS VALID FOR 1393366-2 AND 1393365-2 ONLY
 - SILVER PLATING 3-5µm OVER NICKEL 0.5µm MIN. (CONTACT AREA ONLY)
 - TARNISH FOR SILVER VERSION
 - TIN PLATING 2-4µm OVER NICKEL (CRIMP AREA ONLY)
 - SILVER MARKING
 - ALTERNATE LOGO "TE" OR "1" IS ALLOWED
 - OPTIONAL NOTCH DESIGN ALLOWED
 - FOR SILVER PLATING: ELECTRICAL PERFORMANCE IS NOT AFFECTED BY GRAY OR BLACK TARNISH ON THE SILVER PLATING SURFACE. ACCEPTABLE SILVER SURFACE CAN INCLUDE GRAY OR BLACK TARNISH.
 - TIN PLATING 0.6µm MIN. OVER NICKEL (CRIMP AREA ONLY)
 - SILVER PLATING (±0.5µm Au) FOR SILVER SHORTING BAR APPLICATIONS. VALID FOR 1393366-2 AND 1393367-2 ONLY.
 - DEM REQUIRED PART NUMBER FOR TRACEABILITY. THIS PART NUMBER IS SAME AS P/N 0-1393367-2.
 - DEM REQUIRED PART NUMBER FOR TRACEABILITY. THIS PART NUMBER IS SAME AS P/N 0-1393366-2.
 - PRE-PLATED TIN 2-4µm ALL OVER.

VIEW SHOWING ACCESS AREA FOR POGO PIN



DIMENSIONS OF POGO PIN



SURFACE:
Au > = 1µm 170-200HV

SPRING LOAD IN WORKING POSITION = 1.5N

REELING DIRECTIONS FOR REFERENCE ONLY

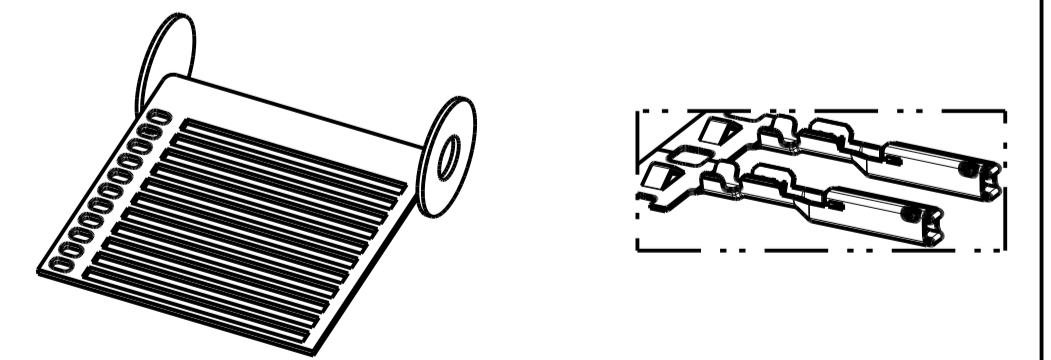


TABLE 1: TERMINAL CRIMP & GRIP REFERENCE TABLE.

PART NO.	PART-REV.	PLATING SPECIFICATION	WEIGHT	CONDUCTOR WIRE SIZE	DIMENSIONS					CONDUCTOR CRIMP INFO	INSULATION CRIMP INFO	MATERIAL TYPE
					A1	A2	R1	R2	GRIP SIZE			
0-1393364-1		GOLD PLATING ¹⁰	0.22g	0.22	2.11	2.4	0.45	0.6	A	SEE TE Connectivity SPEC 114-13060	CuNi35SiMg DIN 1777	
0-1393364-2	B	GOLD PLATING ¹¹		AWG 22	2.11	2.4	0.45	0.6	A			
0-1393367-2		SILVER PLATING ¹²	0.22g	0.22	2.11	2.4	0.45	0.6	A	SEE TE Connectivity SPEC 114-13060	CuNi35SiMg DIN 1777	
2-1393367-2	B	SILVER PLATING ²⁰		AWG 22	2.11	2.4	0.45	0.6	A			
0-1393367-1	B	TIN PLATING ²³	0.22g	0.22	2.11	2.4	0.45	0.6	A	SEE TE Connectivity SPEC 114-13060	CuNi35SiMg DIN 1777	
0-1393365-1	B	GOLD PLATING ¹⁰		AWG 22	2.11	2.4	0.45	0.6	A			
0-1393365-2		GOLD PLATING ¹¹	0.22g	0.50	2.8	3.1	0.6	0.2	B	SEE TE Connectivity SPEC 114-13060	CuNi35SiMg DIN 1777	
0-1393366-2	B	SILVER PLATING ²⁰		AWG 18	2.8	3.1	0.6	0.2	B			
2-1393366-2	B	SILVER PLATING ²²	0.22g	0.50	2.8	3.1	0.6	0.2	B	SEE TE Connectivity SPEC 114-13060	CuNi35SiMg DIN 1777	
0-1393366-1	B	TIN PLATING ²³		AWG 18	2.8	3.1	0.6	0.2	B			

THIS DRAWING IS A CONTROLLED DOCUMENT.

TE Connectivity logo and product information: GET FEMALE TERMINAL, GET BUCHSEN KONTAKT.

Part number: 00779, C=1393364

Scale: 10:1, Sheet 1 of 1

X-ON Electronics

Largest Supplier of Electrical and Electronic Components

Click to view similar products for [Automotive Connectors](#) category:

Click to view products by [TE Connectivity](#) manufacturer:

Other Similar products are found below :

[003-018-000](#) [60403001](#) [60993906-B](#) [M902-2131](#) [M902-2161](#) [72.330.1035.1](#) [73.353.4028.0](#) [F119300-B](#) [F166900](#) [F258300-B](#) [F358300-B](#)
[F407400](#) [F444110](#) [F487000](#) [F509500B-B](#) [827153-1](#) [8N1515-32-24P](#) [9-1326729-8](#) [925474-1](#) [928905-1](#) [964562-4](#) [968782-1](#) [GT17SA-8DS-](#)
[HU](#) [98891-1012](#) [98947-1016](#) [12004147](#) [12004475-L](#) [12010290](#) [12010309-B](#) [12015454](#) [12020219-B](#) [12020308](#) [12041318-B](#) [12052225-L](#)
[12052466](#) [12059125](#) [12064869](#) [12004327-B](#) [12010503-B](#) [12015308](#) [12015384](#) [12015909](#) [1-21030-1](#) [12041254](#) [12041318](#) [12047946-B](#)
[12047957](#) [12047957-L](#) [12059473](#) [12066261](#)