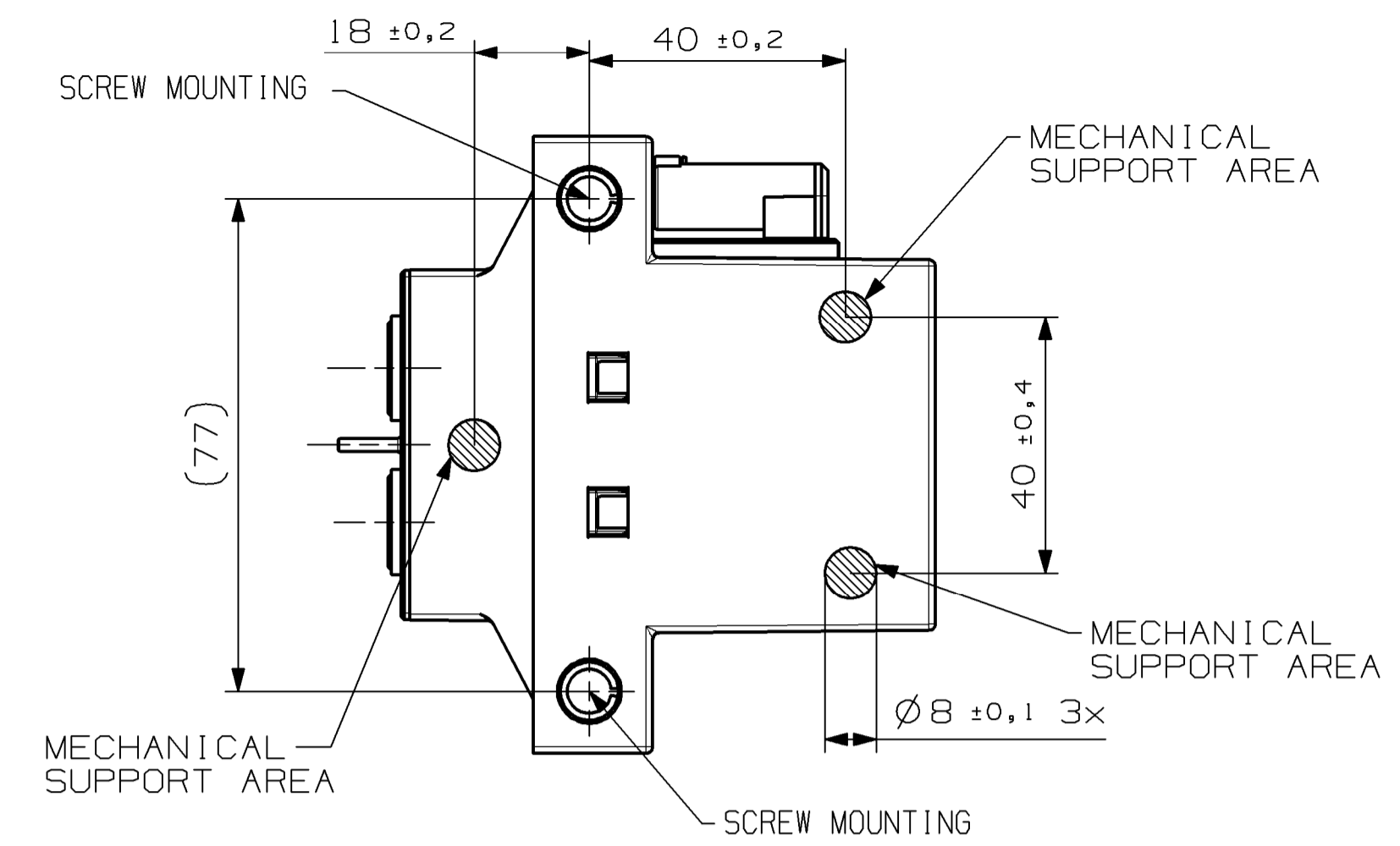
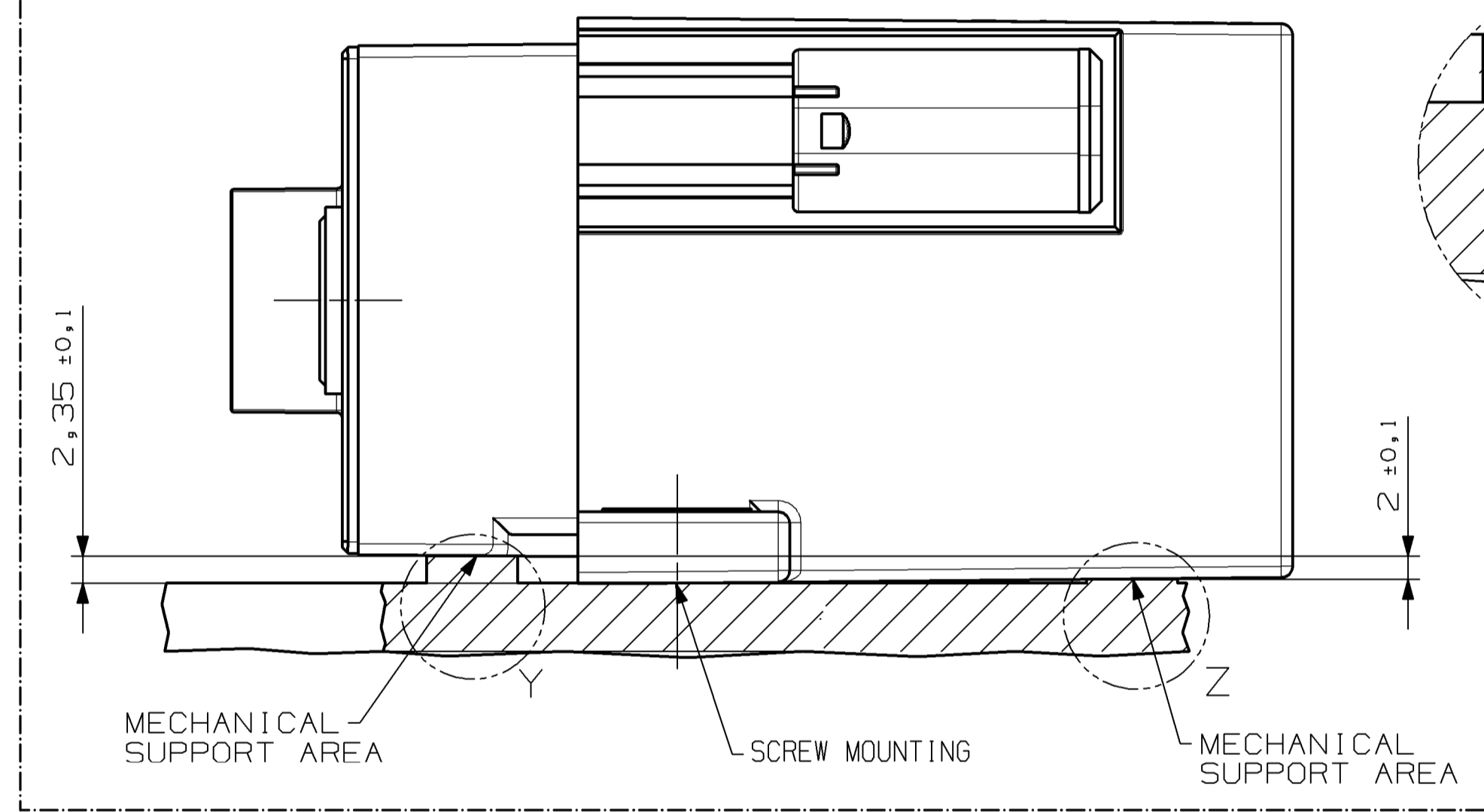


# MOUNTING CONDITIONS

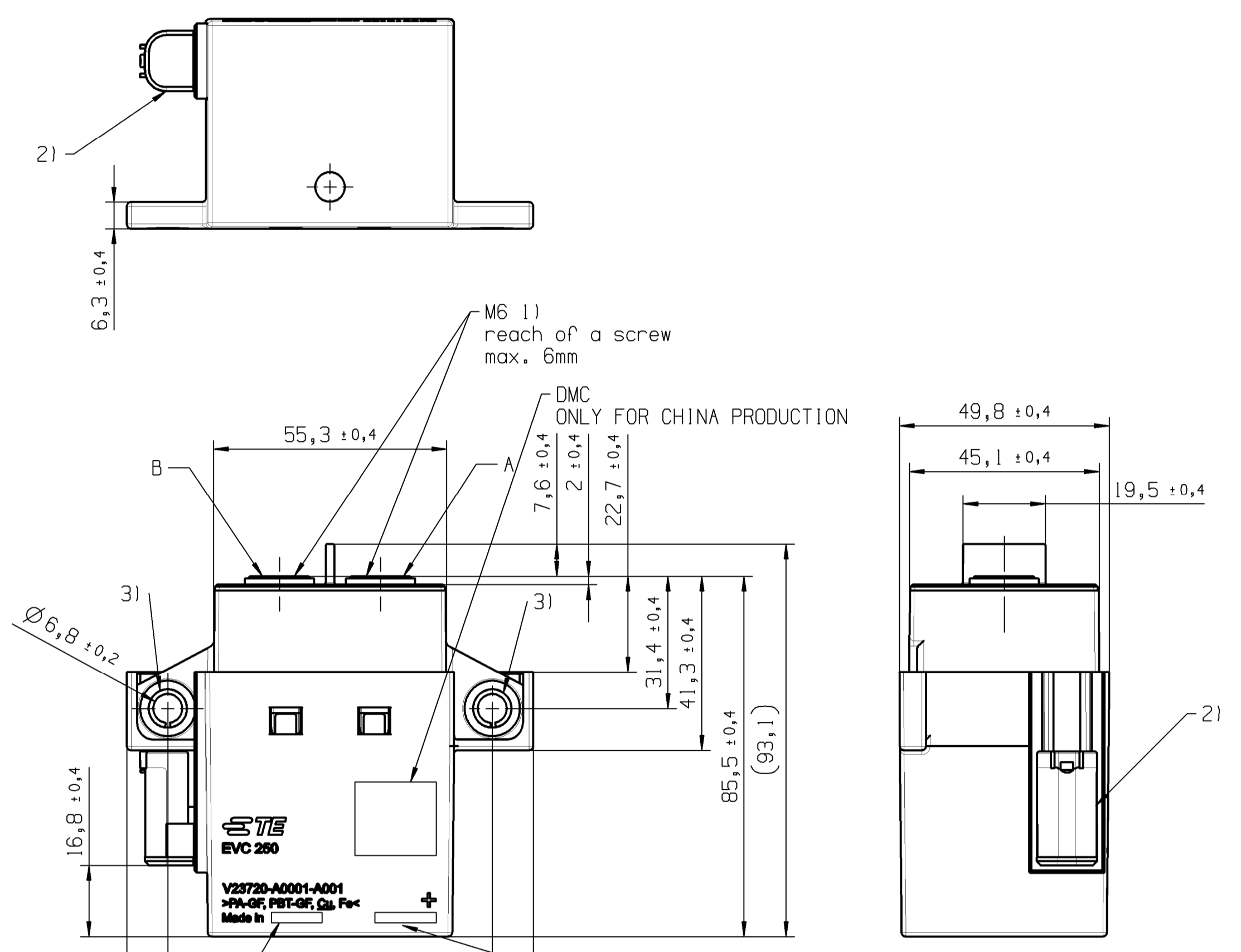
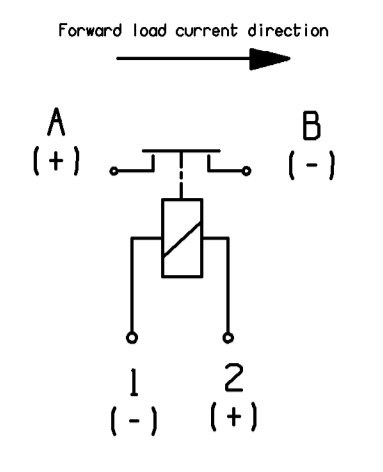
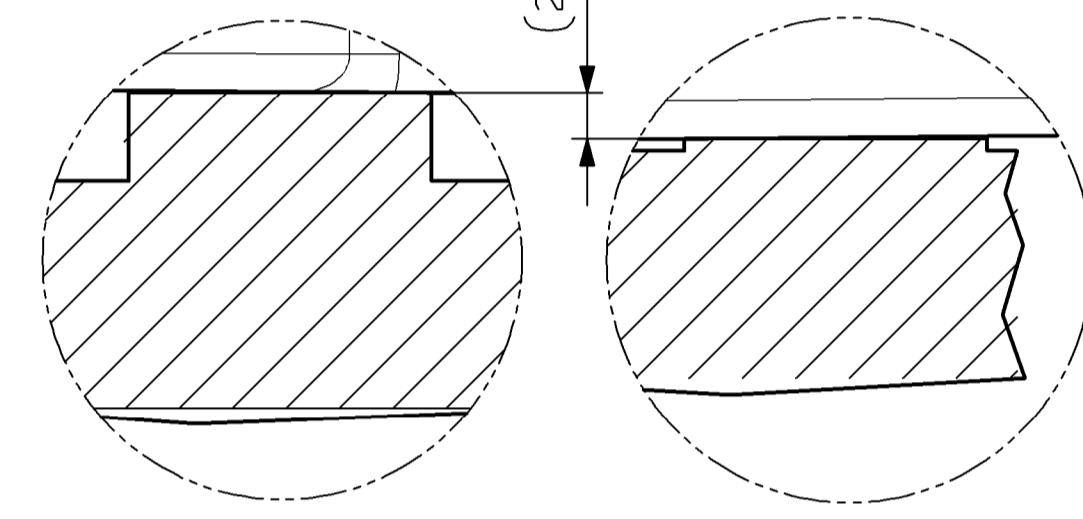


SCALE 2:1



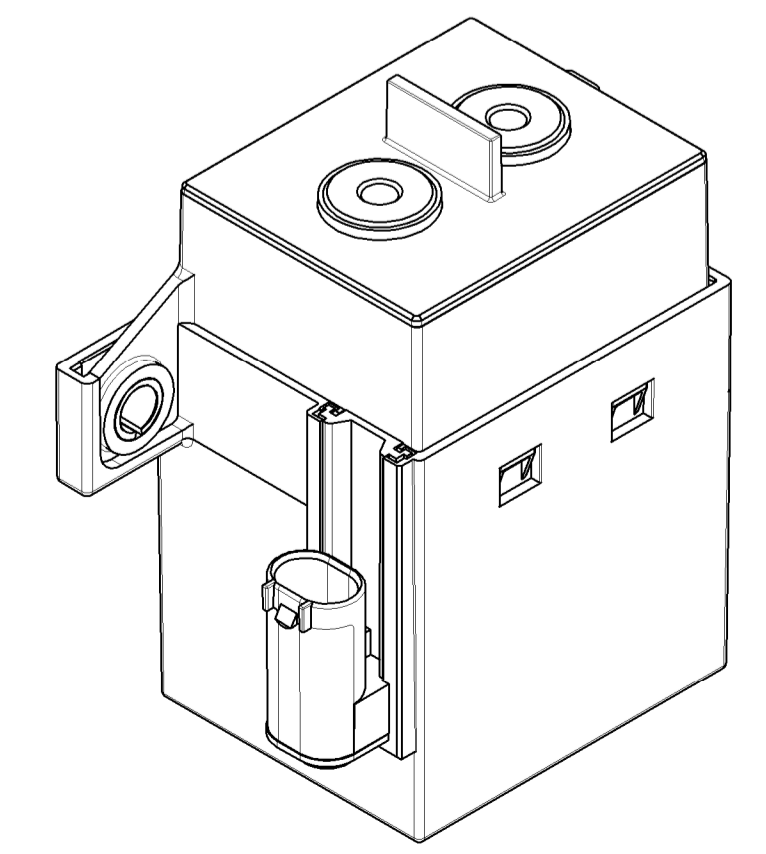
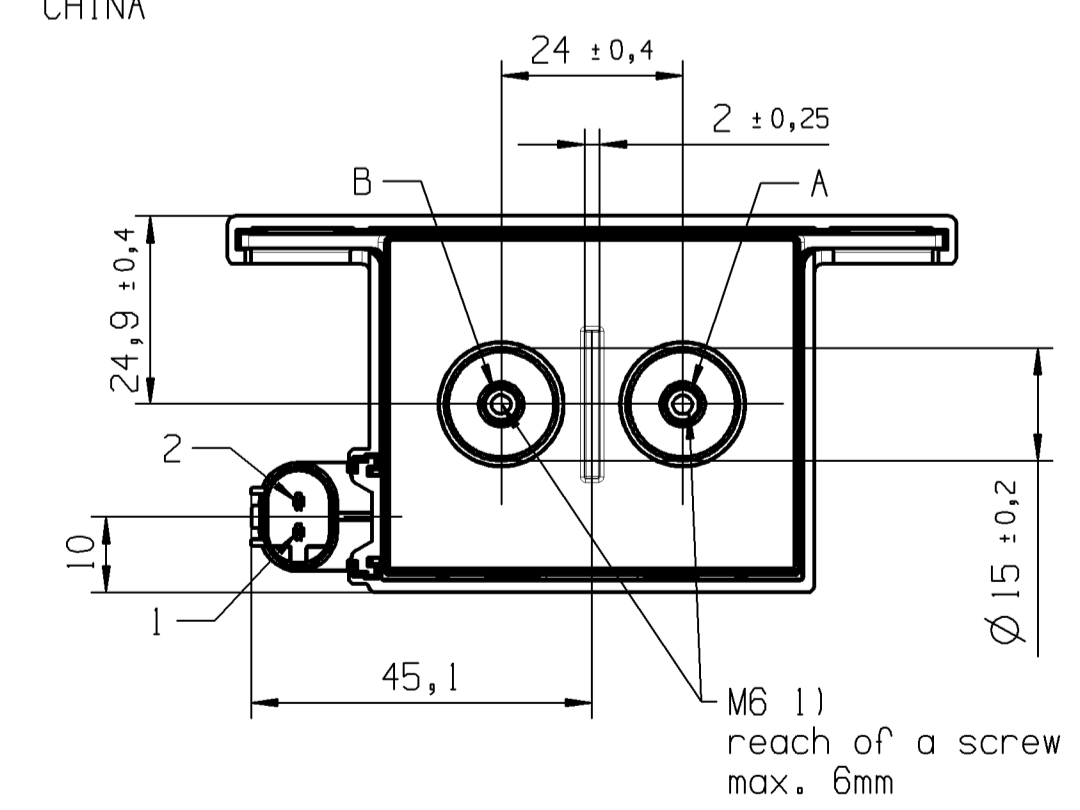
DETAIL Y  
SCALE 5:1

DETAIL Z  
SCALE 5:1



DATE CODE  
FONT ARIAL  
HEIGHT = 2,8  
\*\*YYWWDSL  
\*\* : MANUFACTURE LOCATION  
++ : EVORA  
+ : CHINA  
YY : YEAR  
WW : WEEK  
D : WORKING DAY  
S : SHIFT  
L : MANUFACTURE LINE  
A : PORTUGAL  
B : CHINA

LAND OF ORIGIN  
FONT ARIAL  
HEIGHT = 2,2mm  
PORTUGAL  
OR  
CHINA



- Notice :
- 1) PERMITTED TORQUE 6 Nm MAX. WHEN MIN. 4 TURNS
  - 2) Socket Housing  
TE Interface 2 Pos. MOS Code A ,  
appropriate for Socket Housing 2 Pos. MOS,  
TE PART NO. 1-967644-1  
PRESCRIBED WIRE CROSS SECTION : 0,35mm<sup>2</sup> MIN
  - 3) HEXAGON SOCKET BOTTOM HEAD SCREW EN ISO 7380 M6 WITH WASHER ISO 7090/ 7089

ALIAS		TE P/N	REV
V23720-A0001-A001		2-1904070-2	G
PROPRIETARY		CHANGES TO THIS DRAWING MUST BE DONE ONLY IN CAD	PAPER SIZE A1
THE REPRODUCTION, TRANSMISSION OR USE OF THIS DOCUMENT OR IT'S CONTENTS IS NOT PERMITTED WITHOUT EXPRESSED WRITTEN AUTHORITY. OFFENDERS WILL BE LIABLE FOR ALL DAMAGES. ALL RIGHTS, INCLUDING RIGHTS CREATED BY REGISTERED PATENT(S) GRANTED FOR A UTILITY MODEL OR DESIGN, ARE RESERVED.		FINISH	
APPLICABLE SPEC. :		DIMENSIONS APPLY PLATING	
TOLERANCE UNLESS SPECIFIED OTHERWISE		SCALE 1:1	WEIGHT 602g
ISO 8015		MATERIAL	
ISO 2768-cL		---	
DIMENSIONS IN MM		PART NAME	
DATE NAME		EVC 250, HV-RELAY WITH CONNECTOR	
G1	ECO-20-008236 2020-07-14 LAM DWNL 2013-12-12 KOC	DWG NO. V23720-A0001-A001-CD	
G	ECO-19-018184 2019-11-29 KOC APP.	SHT. 1	
F	ECO-19-001520 2019-02-01 KOC REV.	OF 2	
E	ECO-18-014483 2018-09-12 KOC LOCATION BUN.T		
C	ECO-17-012715 2017-08-30 KOC		
B2	ECO-17-004347 2017-03-28 KOC		
B	ECO-17-001568 2017-02-20 KOC		
REV.	CHANGE ORDER DATE APP.		

## X-ON Electronics

Largest Supplier of Electrical and Electronic Components

*Click to view similar products for* [Contactors - Electromechanical category:](#)

*Click to view products by* [TE Connectivity manufacturer:](#)

Other Similar products are found below :

[6-1618400-7](#) [686-117111](#) [686-120111](#) [686-924](#) [686-948](#) [70-901](#) [70-914](#) [MB-3D-6](#) [MC-22A/4-AC120V](#) [8-1616943-9](#) [8-1672124-5](#)  
[A40-30-10-84](#) [120-905](#) [A701U](#) [120-904](#) [1393132-9](#) [154-905](#) [154-912](#) [154-913](#) [154-915](#) [154-902](#) [154-910](#) [AVR743D](#) [B6-40-00-84](#) [B7-40-00-84](#) [1616017-5](#) [1616021-1](#) [MVDILM](#) [HP-11D-24](#) [P25-E5019-1](#) [P30C47A12D1-120](#) [P40C47A12D1-120](#) [P40P47D13P1-24-01](#) [CA7-12-10-240](#) [CA7-72-00-24Z](#) [90-162](#) [9-1393132-2](#) [2NC4F0222](#) [A275KXXV2-120VAC](#) [ACC338UMM20](#) [AF80-30-11-13](#) [SZ-B1](#) [CGC-9A-120](#) [3GC2H0M22](#) [3NC0T0A22](#) [3NC1Q0A22](#) [3NC2H0A22](#) [3NC2T0122/SE](#) [3TF3400-0BB4](#) [MC-12B-DC24V](#)