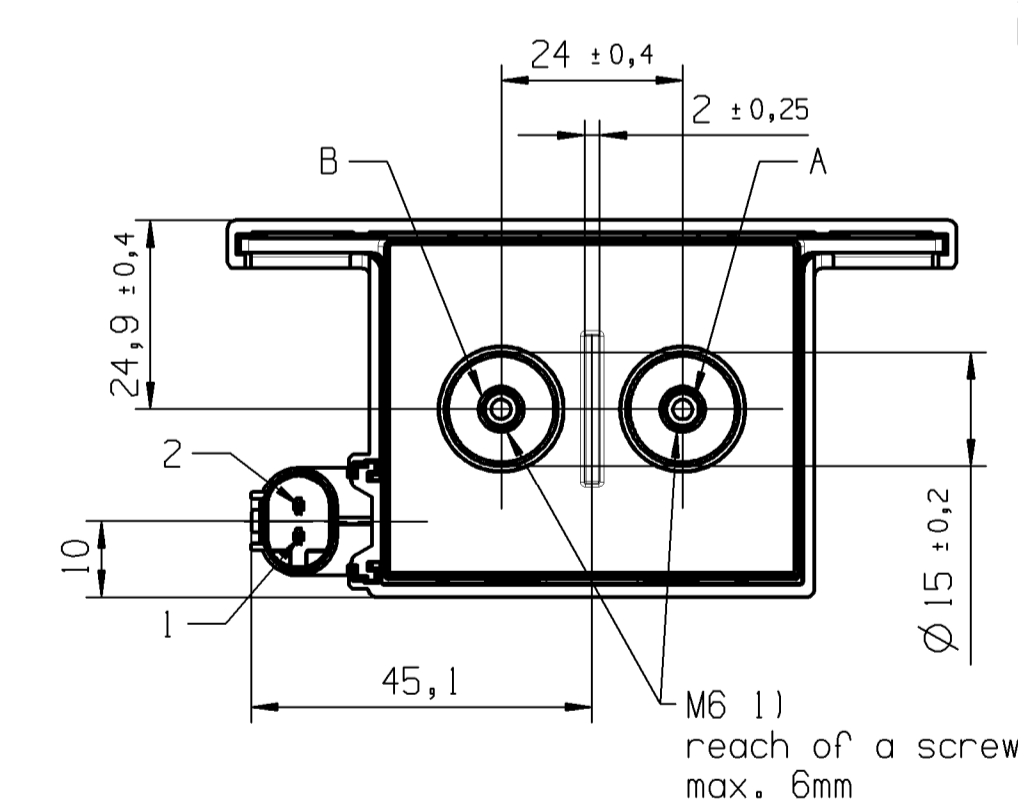
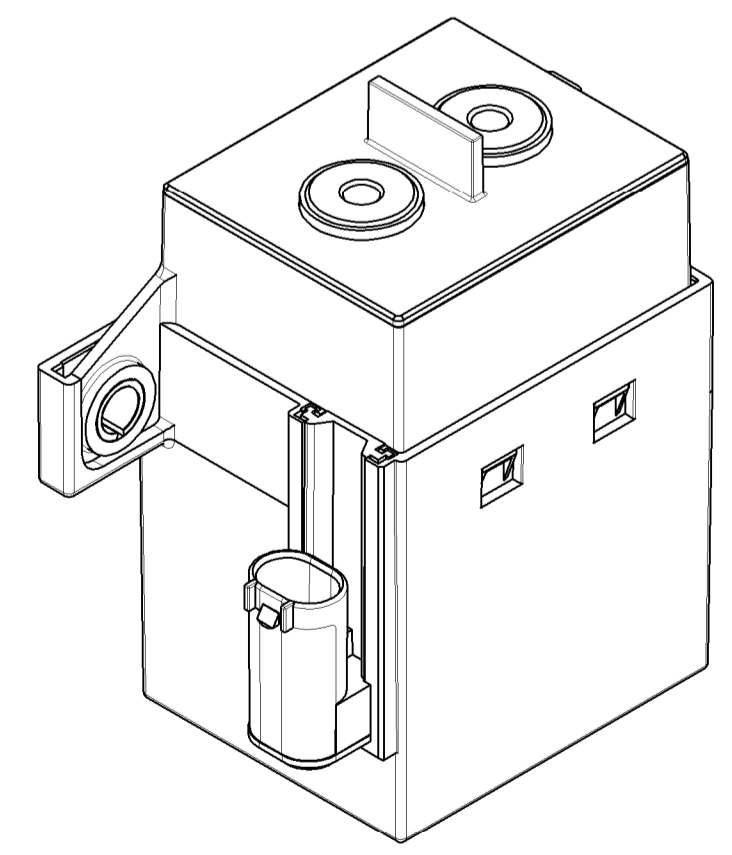
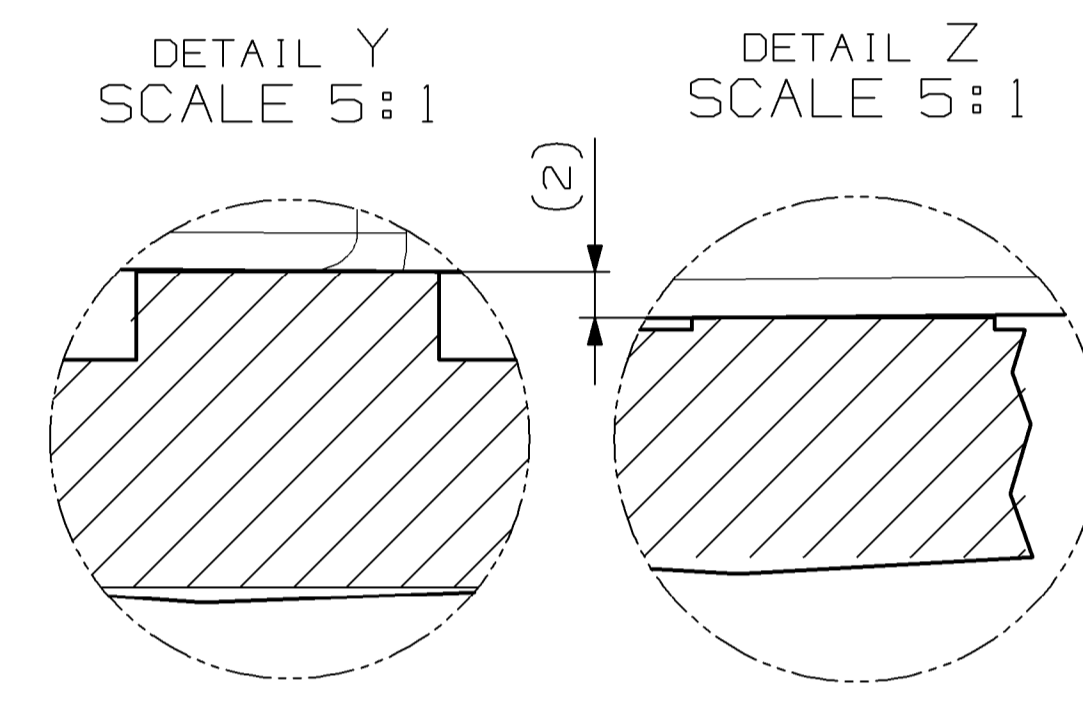
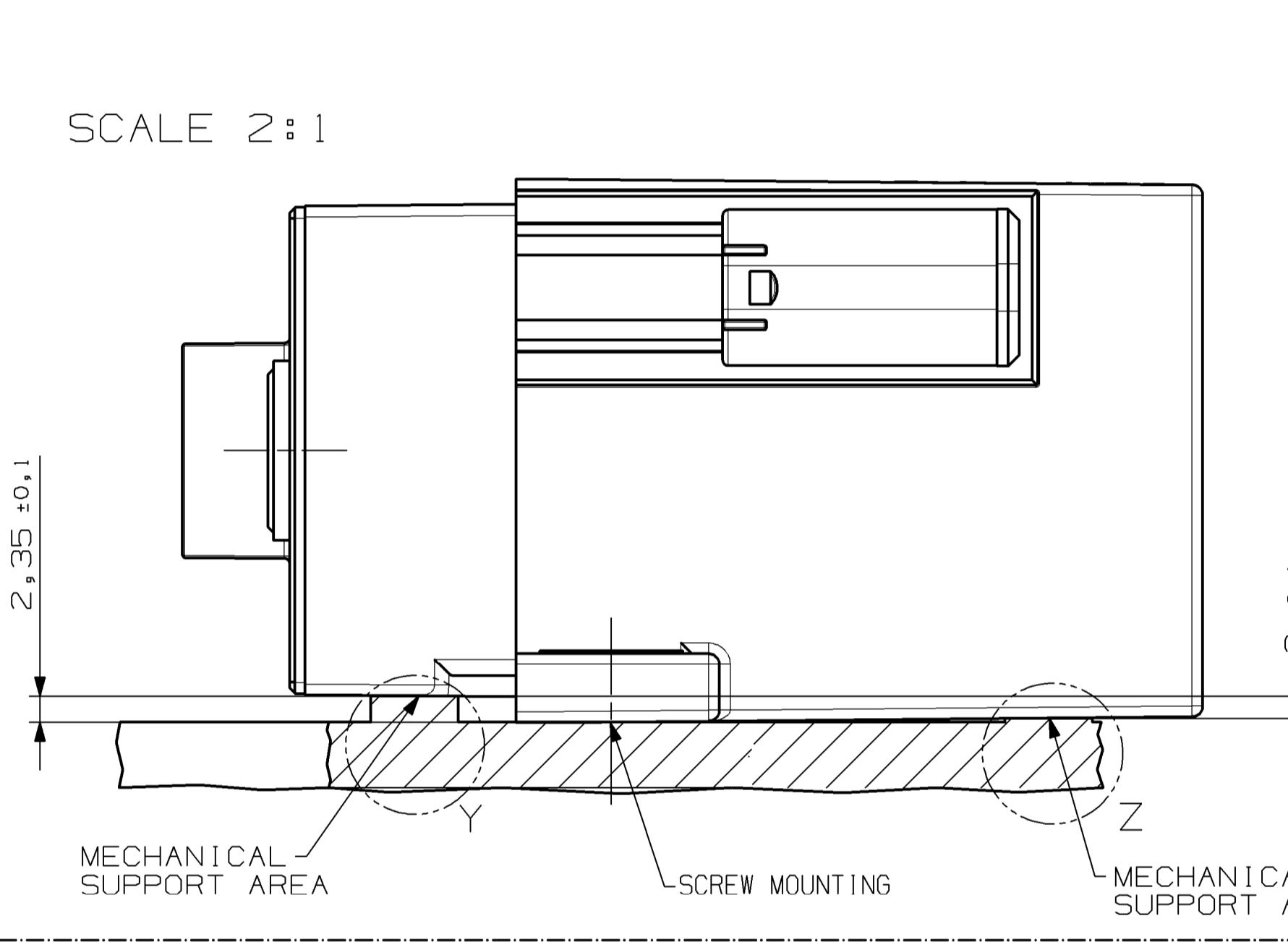
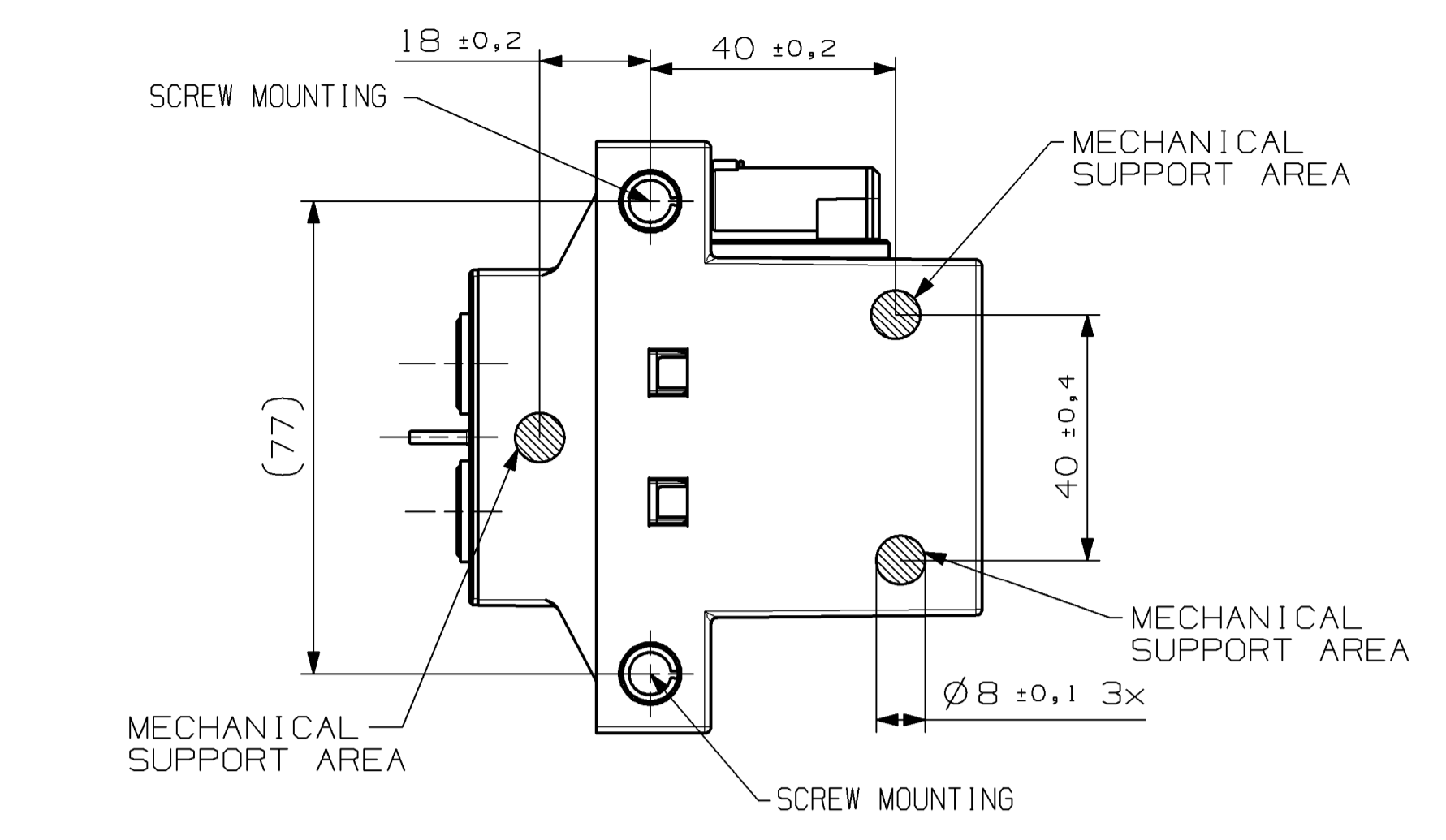


DATE CODE
FONT ARIAL
HEIGHT = 2,8
**YYWWDSL
** : MANUFACTURE LOCATION
++ EVORA
+ : CHINA
YY : YEAR
WW : WEEK
D : WORKING DAY
S : SHIFT
L : MANUFACTURE LINE
A : PORTUGAL
B : CHINA

LAND OF ORIGIN
FONT ARIAL
HEIGHT = 2,2mm
PORTUGAL
OR
CHINA



MOUNTING CONDITIONS



- Notice :
- 1) PERMITTED TORQUE 6 Nm MAX. WHEN MIN. 4 TURNS
 - 2) Socket Housing
TE Interface 2 Pos. MQS Code A ,
appropriate for Socket Housing 2 Pos. MQS,
TE PART NO. 1-967644-1
PRESCRIBED WIRE CROSS SECTION : 0,35mm² MIN
 - 3) HEXAGON SOCKET BOTTOM HEAD SCREW EN ISO 7380 M6 WITH
WASHER ISO 7090/ 7089

ALIAS		TE P/N		REV
V23720-A0002-A001		4-1904065-7		J
<small>THE REPRODUCTION, TRANSMISSION OR USE OF THIS DOCUMENT OR IT'S CONTENTS IS NOT PERMITTED WITHOUT EXPRESSED WRITTEN AUTHORITY. OFFENDERS WILL BE LIABLE FOR ALL DAMAGES. ALL RIGHTS, INCLUDING RIGHTS CREATED BY REGISTERED PATENT(S) GRANTED FOR A UTILITY MODEL OR DESIGN, ARE RESERVED.</small>			<small>CHANGES TO THIS DRAWING MUST BE DONE ONLY IN CAD</small>	
<small>APPLICABLE SPEC. :</small>			<small>FINISH</small>	
<small>TOLERANCE UNLESS SPECIFIED OTHERWISE</small> ISO 8015 ISO 2768-cL			<small>DIMENSIONS APPLY</small> PLATING	
<small>DATE</small>			<small>SCALE</small> 1:1	
<small>NAME</small>			<small>WEIGHT</small> 602g	
<small>LOCATION</small>			<small>MATERIAL</small> ---	
<small>REV.</small>			<small>PART NAME</small>	
<small>APP.</small>			EVC 250, HV-RELAY WITH CONNECTOR	
<small>DATE</small>			<small>DWG. NO.</small>	
<small>APP.</small>			V23720-A0002-A001	
<small>DATE</small>			<small>SHT.</small>	
<small>APP.</small>			1	
<small>DATE</small>			<small>OF</small>	
<small>APP.</small>			1	

X-ON Electronics

Largest Supplier of Electrical and Electronic Components

Click to view similar products for [Contactors - Electromechanical category:](#)

Click to view products by [TE Connectivity manufacturer:](#)

Other Similar products are found below :

[6-1618400-7](#) [686-117111](#) [686-120111](#) [686-924](#) [686-948](#) [70-901](#) [70-914](#) [MB-3D-6](#) [MC-22A/4-AC120V](#) [8-1616943-9](#) [8-1672124-5](#)
[A40-30-10-84](#) [120-905](#) [A701U](#) [120-904](#) [1393132-9](#) [154-905](#) [154-912](#) [154-913](#) [154-915](#) [154-902](#) [154-910](#) [AVR743D](#) [B6-40-00-84](#) [B7-40-00-84](#) [1616017-5](#) [1616021-1](#) [MVDILM](#) [HP-11D-24](#) [P25-E5019-1](#) [P30C47A12D1-120](#) [P40C47A12D1-120](#) [P40P47D13P1-24-01](#) [CA7-12-10-240](#) [CA7-72-00-24Z](#) [90-162](#) [9-1393132-2](#) [2NC4F0222](#) [A275KXXV2-120VAC](#) [ACC338UMM20](#) [AF80-30-11-13](#) [SZ-B1](#) [CGC-9A-120](#) [3GC2H0M22](#) [3NC0T0A22](#) [3NC1Q0A22](#) [3NC2H0A22](#) [3NC2T0122/SE](#) [3TF3400-0BB4](#) [MC-12B-DC24V](#)