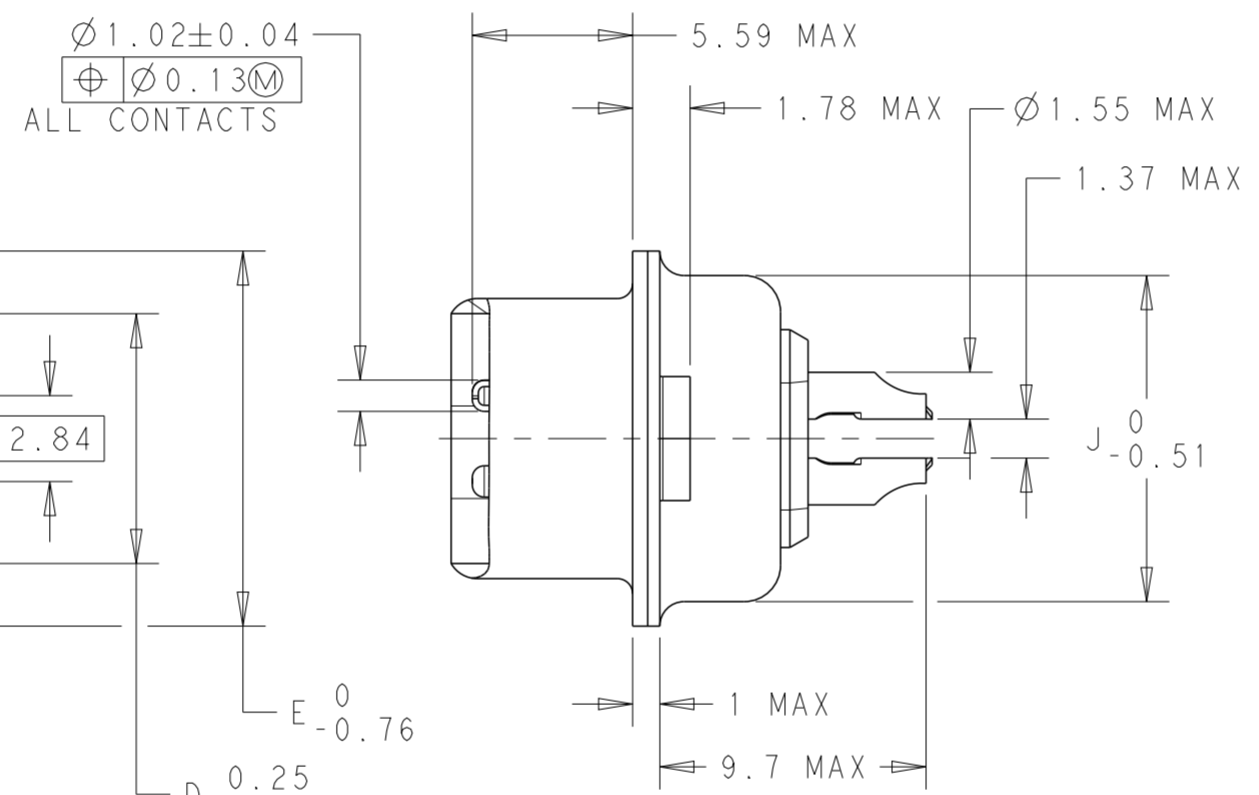
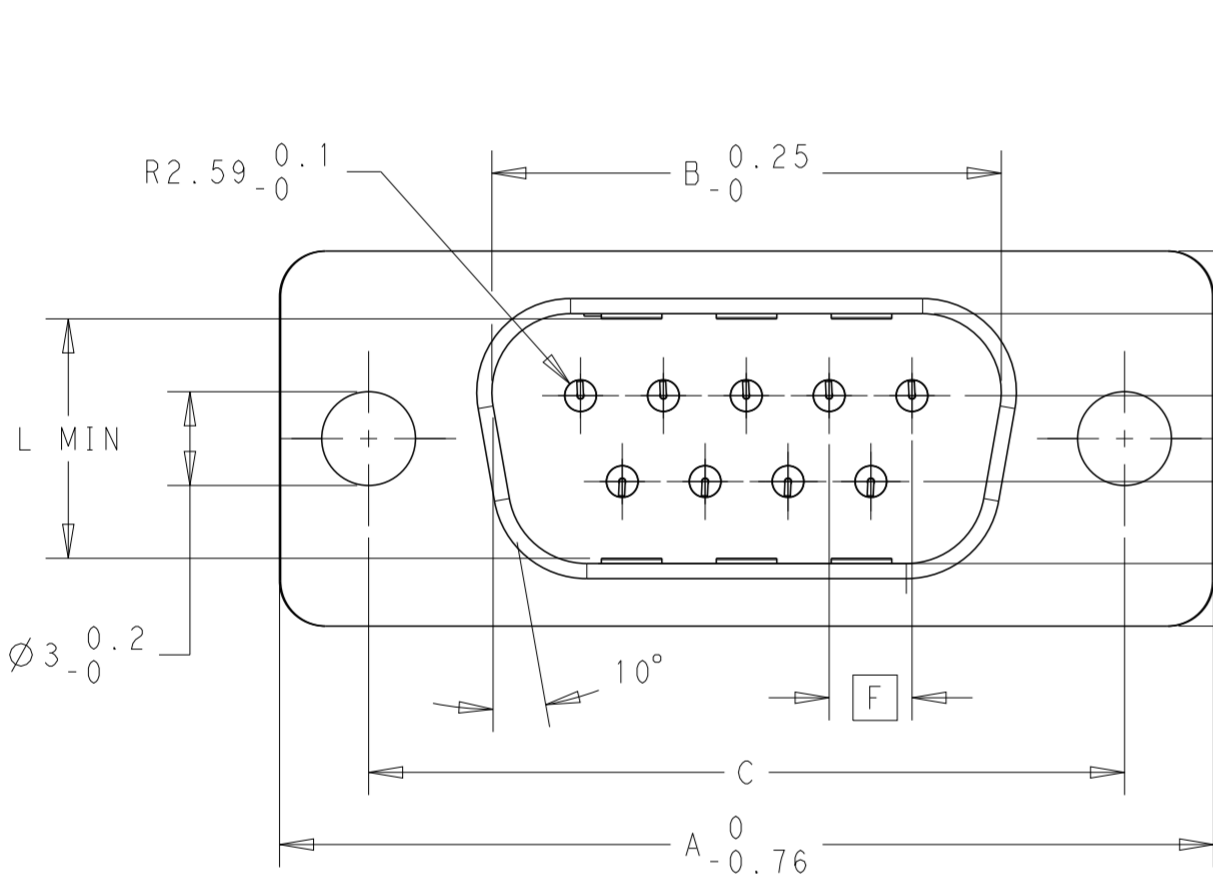
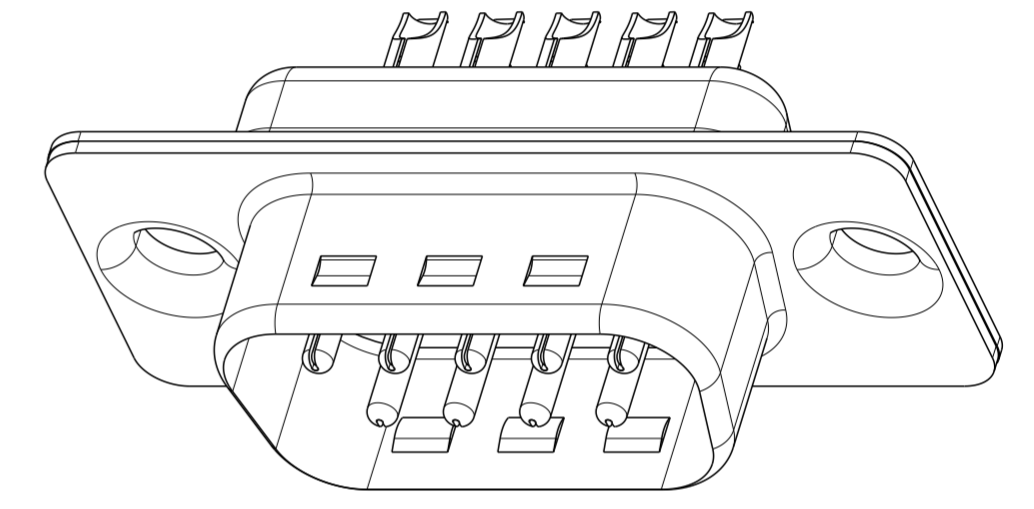
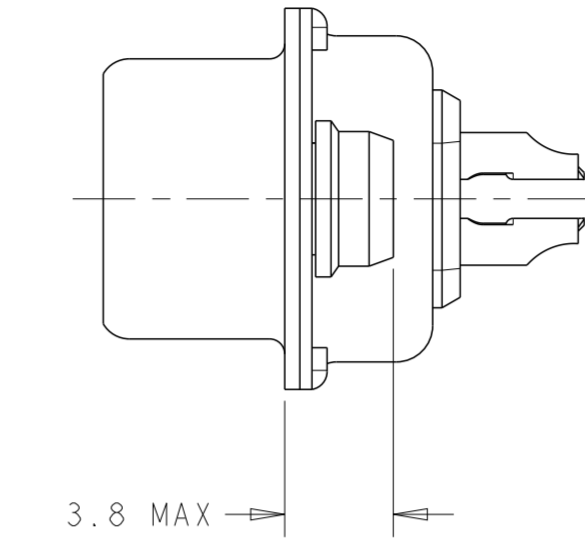
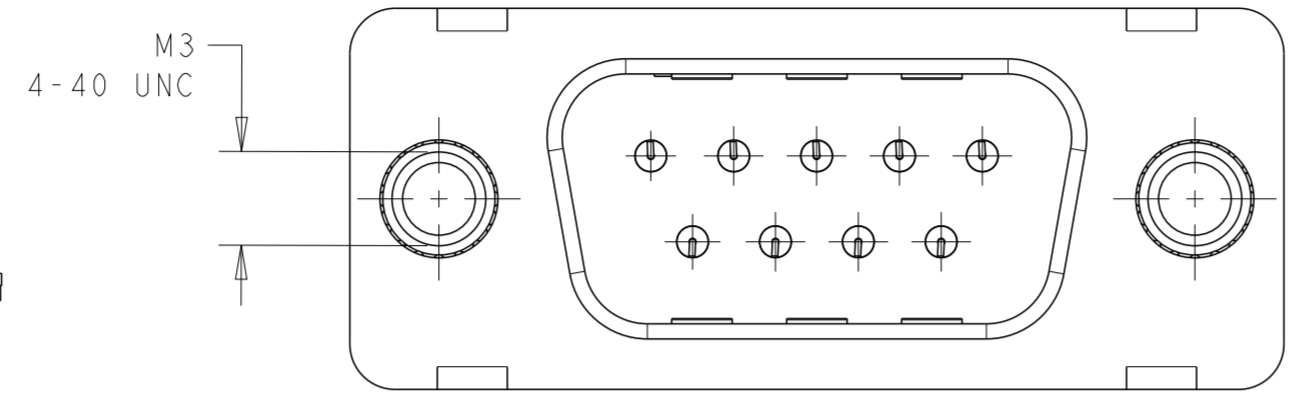
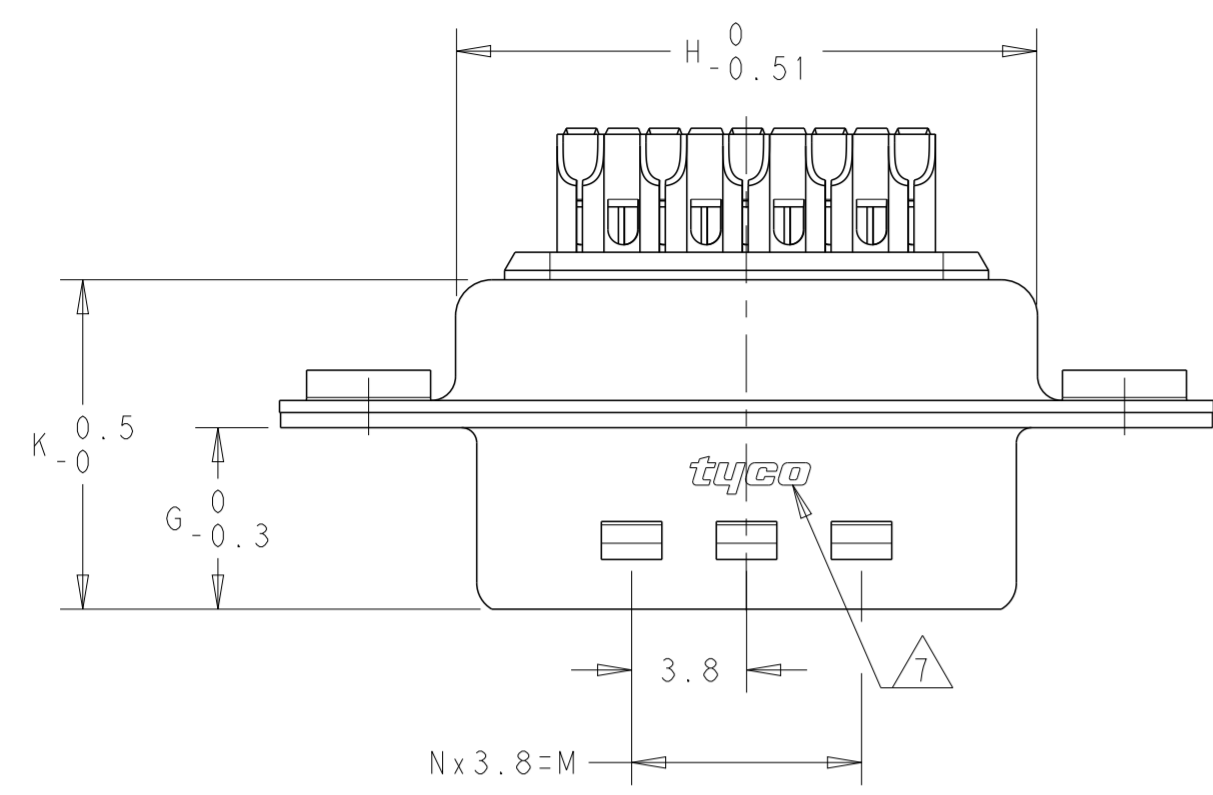


THIS DRAWING IS UNPUBLISHED. RELEASED FOR PUBLICATION 2011
 © COPYRIGHT 2011 ALL RIGHTS RESERVED.

| LOC | DIST | REVISIONS | | | | | |
|-----|------|-----------|-----|---------------------------|-----------|-----|------|
| GP | 00 | P | LTR | DESCRIPTION | DATE | DWN | APVD |
| | | B | | REDRAWN PER ECO-12-008266 | 27AUG2012 | CJV | CWR |
| | | C | | REVISED PER ECO-13-007439 | 09JUL2013 | CJV | CWR |
| | | D | | REVISED PER ECO-15-007873 | 14JUL2015 | AP | SB |



- 9 POSITION VERSION SHOWN.
 - CONTACTS ARE STAMPED AND FORMED.
 - PACKAGED IN BLISTER PACKS.
 - PLATING DETAILS: ALL MEET PERFORMANCE LEVEL 2 PER DIN 41652 P.2 AND P.4.
 UNDERPLATE: NICKEL OVER ENTIRE CONTACT
 CONTACT MATING SURFACE: GOLD
 SOLDER CUP END: MATTE TIN
 SHELL PLATING: BRIGHT TIN OVER NICKEL
 - 50 CONTACT VERSION HAS 3 ROWS.
 - M3 LOCKING INSERTS COLORED BLACK, 4-40 INSERTS COLORED BLUE.
- 7 ALL PARTS MARKED WITH TE LOGO.

| | | | | | | | | | | | | | | | | | |
|----------|------------------------|-------|-------|-------------------|-------|-------|------|------|-------|-------|-------|-------|-------|----|-----------------|---------------------|-----------------------------|
| OBSOLETE | 3.0 DIAMETER HOLE | 67.31 | 52.68 | 61.10 +0.14/-0.11 | 10.95 | 15.75 | 2.76 | 5.99 | 55.58 | 13.82 | 10.57 | 10.45 | 41.80 | 11 | 50 | V42254-A1115-C250 | 1-1393740-0 |
| | 3.0 DIAMETER HOLE | 69.70 | 55.30 | 63.50±0.13 | 8.23 | 12.93 | 2.76 | 5.99 | 57.96 | 10.97 | 10.57 | 7.65 | 41.80 | 11 | 37 | V42254-A1115-C237 | 5-1393483-0 |
| | 3.0 DIAMETER HOLE | 53.42 | 38.84 | 47.04±0.13 | 8.23 | 12.93 | 2.76 | 5.99 | 41.53 | 10.97 | 10.57 | 7.65 | 26.60 | 7 | 25 | V42254-A1115-C225 | 4-1393483-9 |
| | 3.0 DIAMETER HOLE | 39.52 | 25.12 | 33.30 +0.15/-0.1 | 8.23 | 12.93 | 2.74 | 6.12 | 27.26 | 10.97 | 10.46 | 7.69 | 15.20 | 4 | 15 | V42254-A1115-C215 | 4-1393483-8 |
| OBSOLETE | 3.0 DIAMETER HOLE | 31.19 | 16.79 | 25.00 +0.12/-0.13 | 8.23 | 12.93 | 2.74 | 6.12 | 19.53 | 10.97 | 10.46 | 7.72 | 7.60 | 2 | 9 | V42254-A1115-C209 | 4-1393483-7 |
| | M3 SELF-LOCKING NUTS | 31.19 | 16.79 | 25.00 +0.12/-0.13 | 8.23 | 12.93 | 2.74 | 6.12 | 19.53 | 10.97 | 10.46 | 7.72 | 7.60 | 2 | 9 | V42254-A1114-C209 | 2-1393483-9 |
| | 4-40 SELF-LOCKING NUTS | 31.19 | 16.79 | 25.00 +0.12/-0.13 | 8.23 | 12.93 | 2.74 | 6.12 | 19.53 | 10.97 | 10.46 | 7.72 | 7.60 | 2 | 9 | V42254-A1112-C209 | 2-1393483-3 |
| | 4-40 SELF-LOCKING NUTS | 39.52 | 25.12 | 33.30 +0.15/-0.1 | 8.23 | 12.93 | 2.74 | 6.12 | 27.26 | 10.97 | 10.46 | 7.69 | 15.20 | 4 | 15 | V42254-A1112-C215 | 1-1392010-6 |
| | FLANGE OPTION | A | B | C | D | E | F | G | H | J | K | L | M | N | NO OF POSITIONS | SIEMENS PART NUMBER | TE CONNECTIVITY PART NUMBER |

THIS DRAWING IS A CONTROLLED DOCUMENT. DIMENSIONING AND TOLERANCING PER ASME Y14.5M-2009

DWN: RAGHAVENDRA 13MAR2012
 CHK: CARL ROHDE 13MAR2012
 APVD: CARL ROHDE 13MAR2012

TE Connectivity

D-SUB SOLDERING LUGS, MALE CONNECTOR WITH GROUNDING FINGERS

SIZE: A2 CAGE CODE: 00779 DRAWING NO: C-2-1393483-3 RESTRICTED TO: -

CUSTOMER DRAWING SCALE: 4:1 SHEET 1 OF 1 REV D

X-ON Electronics

Largest Supplier of Electrical and Electronic Components

Click to view similar products for [D-Sub Standard Connectors](#) category:

Click to view products by [TE Connectivity](#) manufacturer:

Other Similar products are found below :

[56F711-015](#) [012-9507-004](#) [LV242999-142T12](#) [015-0341-000](#) [015-0372-005](#) [015-0372-008](#) [015-8755-001](#) [020419-0104](#) [012-0467-000](#) [012-0515-000](#) [012-9507-034](#) [012-9507-114](#) [020745-0008](#) [609-25P](#) [M24308/2-23Z](#) [CT2-14S-2PCA34](#) [CT2-18-11PCAU](#) [CT6-10SL-3SC](#) [CT6-10SL-4SC](#) [CT6-14S-2SC](#) [CT6E14SA7SC](#) [M83513/01-FC](#) [M83723/76W24619 L/C](#) [M85049/48-3-2F](#) [6STD09PCM99B70X](#) [6STD09SCM99B30X](#) [6STD09SCT99S40X](#) [6STD15PCT99S40X](#) [6STD15SCM99B30X](#) [6STD15SCT99S40X](#) [6STF09PCM05B70X](#) [7-135760-9](#) [MC11E-10-6SN](#) [747552-3](#) [MD1-21PS](#) [MDM-15SCBRM7-F222](#) [MDM96517-699](#) [MDM96521-744](#) [MDVB1-21SL1](#) [MIK0-1-7SH003](#) [MIKQ6-7SH076](#) [MIKQ7-7PH077](#) [MIKQ7-7PH11](#) [MIKQ7-7PH32](#) [MJSV-28SL61](#) [MKJ4A1F14-55S](#) [8-135760-3](#) [8STD09PCM99B30X](#) [PG-KV/PV-16-GROM-SEALING](#) [GDA15P](#)