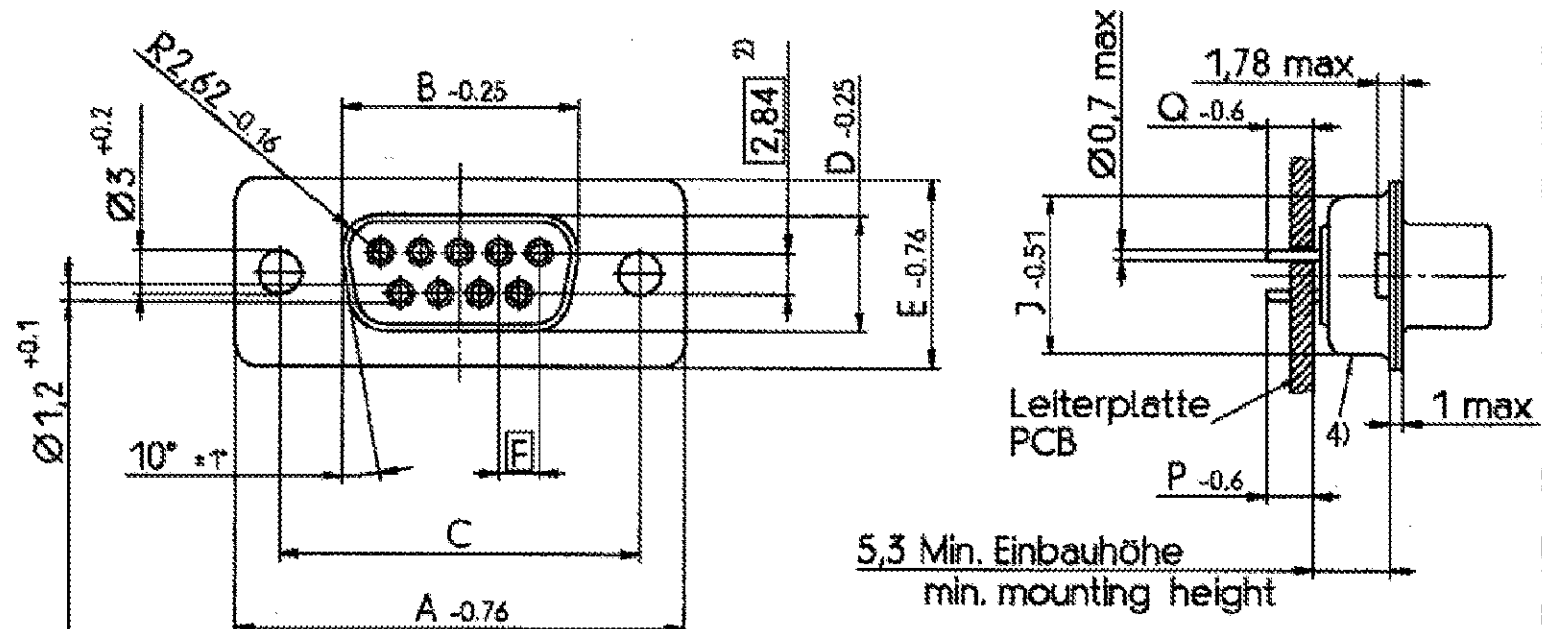


THIS INFORMATION IS CONFIDENTIAL AND PROPRIETARY TO TYCO ELECTRONICS CORPORATION AND ITS WORLDWIDE SUBSIDIARIES AND AFFILIATES. IT MAY NOT BE DISCLOSED TO ANYONE, OTHER THAN TYCO ELECTRONICS PERSONNEL, WITHOUT WRITTEN AUTHORIZATION FROM TYCO ELECTRONICS CORPORATION, HARRISBURG, PENNSYLVANIA, USA

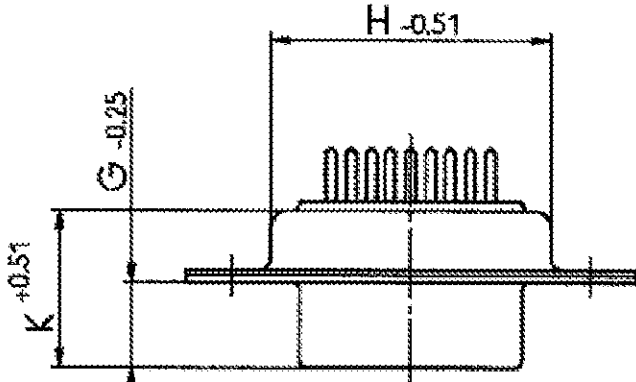
Standardausführung: V42254-A2115-B*** V42254-A2415-B*** 3)
 standard type: V42254-A2117-B*** V42254-A2417-B*** 3)
 V42254-A2315-B*** V42254-A2515-B*** 3)
 V42254-A2317-B*** V42254-A2517-B*** 3)

- 1) nach DIN 41652 T.2 und T.4
 - 2) Bemerkung: 50-polig: dreireihig
 - 3) nicht für 50-polig
 - 4) keine TE-Beschriftung bei:
 V42254-A2*17-B*** V42254-A2132-B*** V42254-A2152-B***
 V42254-A2*18-B*** V42254-A2133-B*** V42254-A2153-B***
 V42254-A2122-B*** V42254-A2142-B***
 - 5) Rille zur optischen Erkennung der Bolzentypen mit M3-Gewinde
 - 6) Blechteile örtlich herunter gedrückt
 - 7) Nur bei Ausführung mit Lötstiftlänge P = 3,2mm
 - 8) Sicke nur bei den 4 äußeren Masselötstiften.
-
- 1) according to DIN 41652 p.2 and p.4
 - 2) note: 50-contact version: 3 contact rows
 - 3) not for 50-contact version
 - 4) no TE-marking for:
 V42254-A2*17-B*** V42254-A2132-B*** V42254-A2152-B***
 V42254-A2*18-B*** V42254-A2133-B*** V42254-A2153-B***
 V42254-A2122-B*** V42254-A2142-B***
 - 5) groove in the stud bolts with M3 thread (visual recognition)
 - 6) shells pressed down locally
 - 7) only for versions with soldering-pin length of P = 3,2mm
 - 8) only the four corner grounding soldering-pins have a rib



alle Kontakte
 all contacts
 Ø 0.08

9 OBSOLETE PARTS: OBSOLETE CIS STREAMLINING PER D.RENAUD/D.SINISI
 10 OBSOLETE



Ordering code Sachnr. V42254-A2*1*-	dimension Maß Polzahl No. of contacts	A	B	C	D	E	F	G	H	J	K
B*09	09	31.19	16.46	25.0 ± 0.13	8.02	12.93	2.74	6.3	19.53	10.97	10.64
B*15	15	39.52	24.79	33.3 ± 0.15	8.02	12.93	2.74	6.3	27.76	10.97	10.64
B*25	25	53.42	38.5	47.04 ± 0.13	8.02	12.93	2.76	6.3	41.53	10.97	10.64
B*37	37	69.7	54.96	63.5 ± 0.13	8.02	12.93	2.76	6.3	57.96	10.97	10.64
B*50	50 ²⁾	67.31	52.55	61.1 ± 0.14	10.87	15.75	2.76	6.3	55.58	13.82	10.64

V42254-	P	Q
A211*-+***	3.2	3.2
A231*-+***	5.55	5.55
A241*-+*** ³⁾	1.55	1.55
A251*-+*** ³⁾	13.65	14.05

Anforderungsstufe,
 performance level¹⁾

dargestellt wird die 9-polige Ausführung
 drawn is the 9-contacts version

TE Connectivity

SCALE 2:1 WEIGHT

MATERIAL

LOC DIMENSIONS IN MM

DATE 01.03.90
 NAME Embo
 DEP. PE Com PE&SE

PART NAME Sub-D Loetstiften gerade
 Buchserleiste
 D-Sub straight soldering pins
 female connector

PART NO. V42254-A2***-B***-*-27

REV. CHANGE ORDER DATE APP. Customer Drawing Nr. C-7-1393483-1

1 OF 8

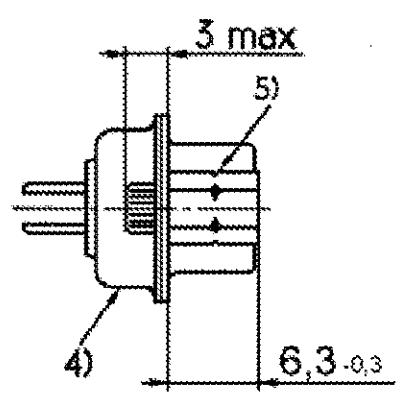
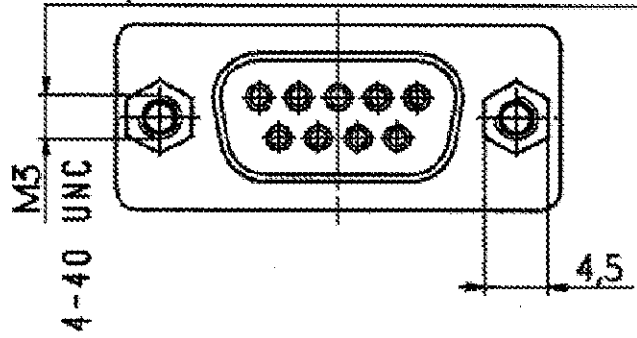
PROPRIETARY:

THIS INFORMATION IS CONFIDENTIAL AND PROPRIETARY TO TYCO ELECTRONICS CORPORATION AND ITS WORLDWIDE SUBSIDIARIES AND AFFILIATES. IT MAY NOT BE DISCLOSED TO ANYONE, OTHER THAN TYCO ELECTRONICS PERSONNEL, WITHOUT WRITTEN AUTHORIZATION FROM TYCO ELECTRONICS CORPORATION, HARRISBURG, PENNSYLVANIA, USA.

mit Cowinbolzen:
with screwlock stud bolts:

- | | | | |
|-----|-----------|----------------------|----------------------|
| M3: | 4-40 UNC: | V42254-A2119-B*** | V42254-A2116-B*** |
| | | V42254-A2319-B*** | V42254-A2316-B*** |
| | | V42254-A2419-B*** 3) | V42254-A2416-B*** 3) |
| | | V42254-A2519-B*** 3) | V42254-A2516-B*** 3) |
| | | V42254-A2118-B*** | V42254-A2118-B*** |
| | | V42254-A2318-B*** | V42254-A2318-B*** |
| | | V42254-A2418-B*** 3) | V42254-A2418-B*** 3) |
| | | V42254-A2518-B*** 3) | V42254-A2518-B*** 3) |

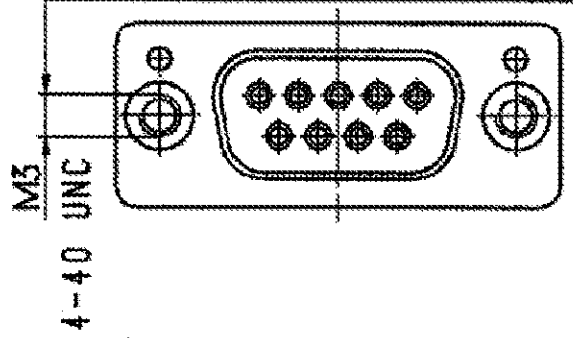
Verdrehsicherheit ≥ 70 Ncm
torque retention ≥ 70 Ncm



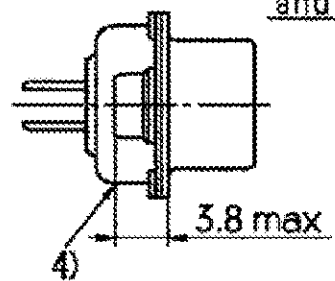
mit Stop-Mutter / Gewindeeinsatz:
with thread:

- | | | | |
|-----|-----------|----------------------|----------------------|
| M3: | 4-40 UNC: | V42254-A2114-B*** 3) | V42254-A2112-B*** 3) |
| | | V42254-A2314-B*** 3) | V42254-A2312-B*** 3) |
| | | V42254-A2414-B*** | V42254-A2412-B*** |
| | | V42254-A2514-B*** | V42254-A2512-B*** |

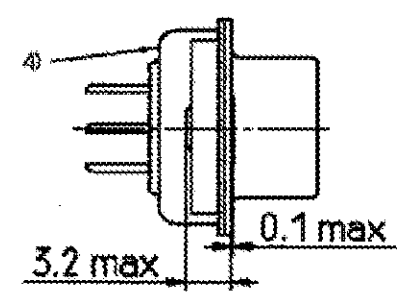
Verdrehsicherheit ≥ 130 Ncm
torque retention ≥ 130 Ncm



mit Stop-Mutter (für 9-, 15-, 25- u. 37-pol Ausführung):
with self locking press-in nuts (for 9-, 15-, 25- and 37-contacts versions):

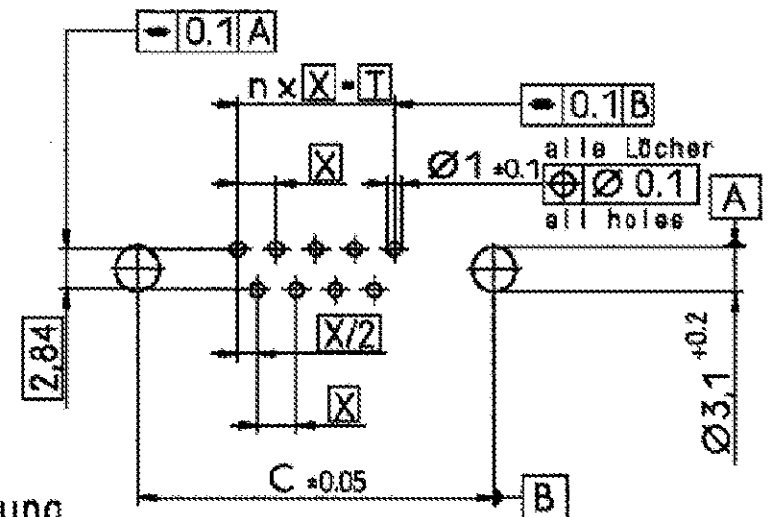


mit Gewindeeinsatz (nur für 50-pol. Ausführung):
with thread insert (only for 50-contacts version):

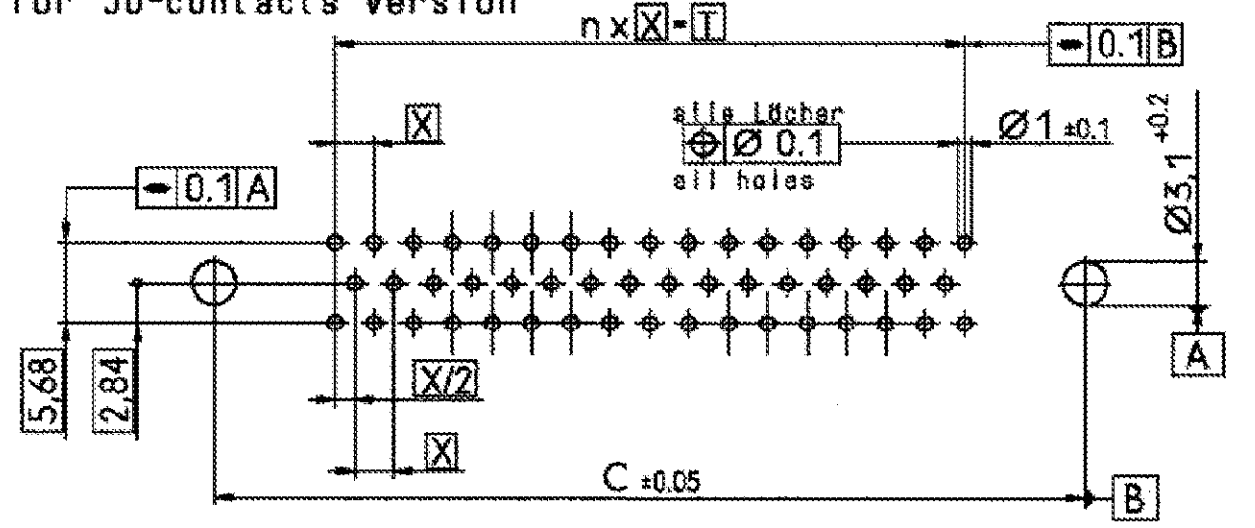


Erläuterungen: Seite 1
dargestellt wird die 9-polige Ausführung
remarks: see page 1
drawn is the 9-contacts version

Leiterplattenbohrung
PCB layout



für 50-polige Ausführung
for 50-contacts version



Polzahl No. of contacts	n	Abmessungen in mm dimensions in mm		
		C	T	X
9	4	25.0	10.96	2.74
15	7	33.3	19.18	2.74
25	12	47.04	33.12	2.76
37	18	63.5	49.68	2.76
50	16	61.1	44.16	2.76

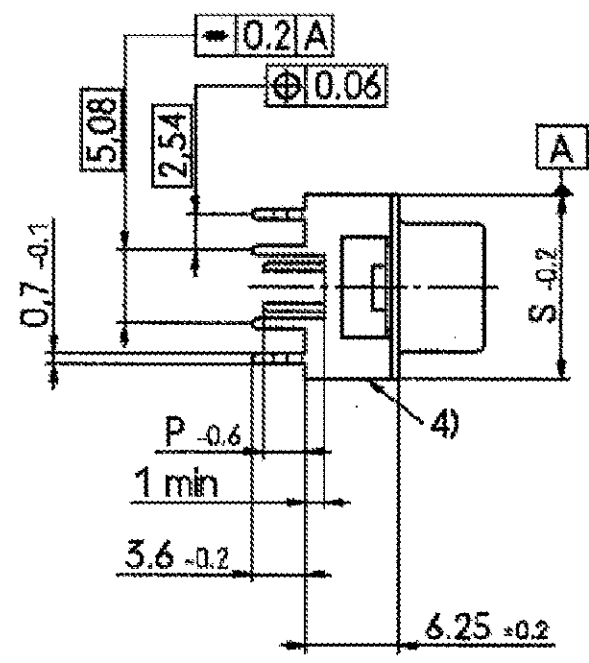
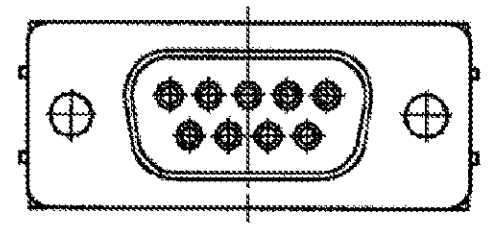
TE TE Connectivity		SCALE 2:1	WEIGHT
LOC DIMENSIONS IN MM		MATERIAL	
DATE 01.03.90	NAME Embo	PART NAME Sub-D Loetstiften gerade	
DEP. PE Com PE&SE	TOLERANCE UNLESS SPECIFIED OTHERWISE	Buchsenleiste	
SEE SHEET 1	Customer Drawing Nr. C-7-1393483-1	D-Sub straight soldering pins	
REV. CHANGE ORDER	DATE	PART NO. V42254-A2***-B***-27	
APP.		female connector	
		SHT. 21	
		OF 8	

PROPRIETARY:

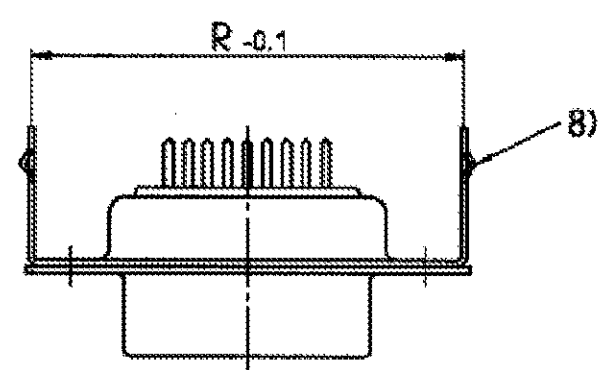
THIS INFORMATION IS CONFIDENTIAL AND PROPRIETARY TO TYCO ELECTRONICS CORPORATION AND ITS WORLDWIDE SUBSIDIARIES AND AFFILIATES. IT MAY NOT BE DISCLOSED TO ANYONE, OTHER THAN TYCO ELECTRONICS PERSONNEL, WITHOUT WRITTEN AUTHORIZATION FROM TYCO ELECTRONICS CORPORATION, HARRISBURG PENNSYLVANIA USA

mit Masselötlstiften:
with grounding soldering pins: 3)

V42254-A2215-B***
V42254-A2217-B***
V42254-A2815-B***
V42254-A2817-B***



V42254-	P
A221*-+***	3.2
A281*-+***	5.55



Sachnr. ordering code V42254-A2*1*-	Polzahl No. of contacts	dimension Maß	
		R	S
8*09	09	30.4	12.4
8*15	15	38.8	12.4
8*25	25	52.8	12.4
8*37	37	69.1	12.4

Anforderungsstufe 1)
performance level 1)

Erläuterungen: Seite 1
dargestellt wird die 9-polige Ausführung
remarks: see page 1
drawn is the 9-contacts version

		SCALE 2:1		WEIGHT
		MATERIAL		
DATE 01.03.90		PART NAME Sub-D Loetstiften gerade		
NAME Emco		Buchsenleiste		
DEP. PE Com PE&SE		D-Sub straight soldering pins		
TOLERANCE UNLESS SPECIFIED OTHERWISE		PART NO.		SHT. 3+
SEE SHEET 1		V42254-A2***-B***-27		OF 8
REV.	CHANGE ORDER	DATE	APP.	Customer Drawing Nr. C-7-1393483-1

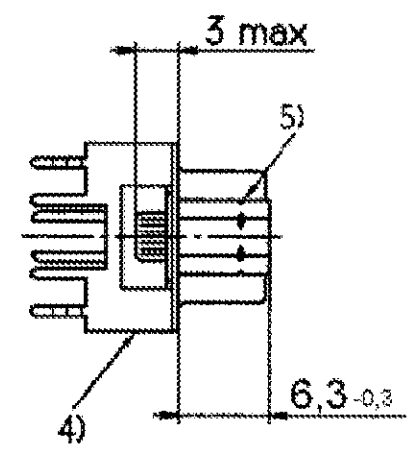
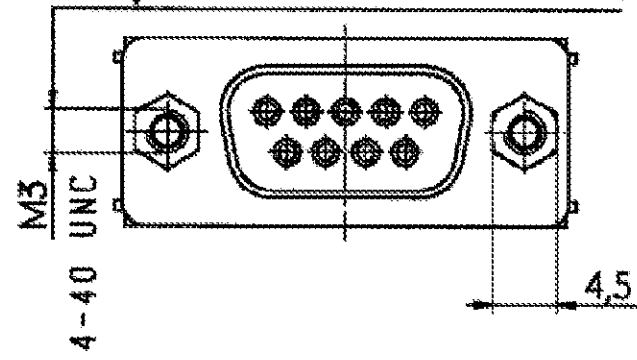
PROPRIETARY:

THIS INFORMATION IS CONFIDENTIAL AND PROPRIETARY TO TYCO ELECTRONICS CORPORATION AND ITS WORLDWIDE SUBSIDIARIES AND AFFILIATES. IT MAY NOT BE DISCLOSED TO ANYONE, OTHER THAN TYCO ELECTRONICS PERSONNEL, WITHOUT WRITTEN AUTHORIZATION FROM TYCO ELECTRONICS CORPORATION, HARRISBURG, PENNSYLVANIA, USA.

mit Masselötstiften und Gewindebolzen:
 with grounding soldering-pins and screwlock stud bolts: ³⁾

M3: 4-40 UNC:
 V42254-A2219-B*** V42254-A2216-B***
 V42254-A2218-B***
 V42254-A2819-B*** V42254-A2816-B***
 V42254-A2818-B***

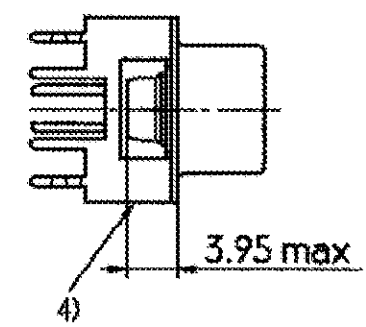
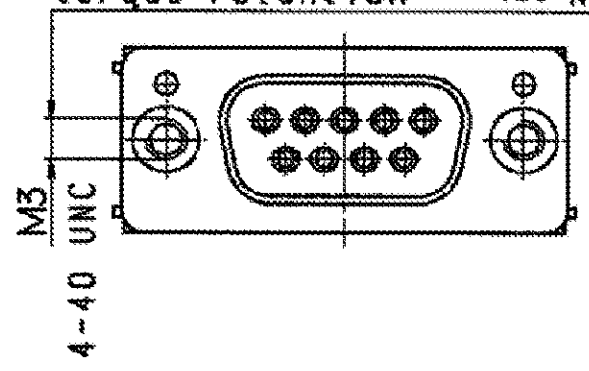
Verdrehsicherheit ≥ 70 Ncm
 torque retention ≥ 70 Ncm



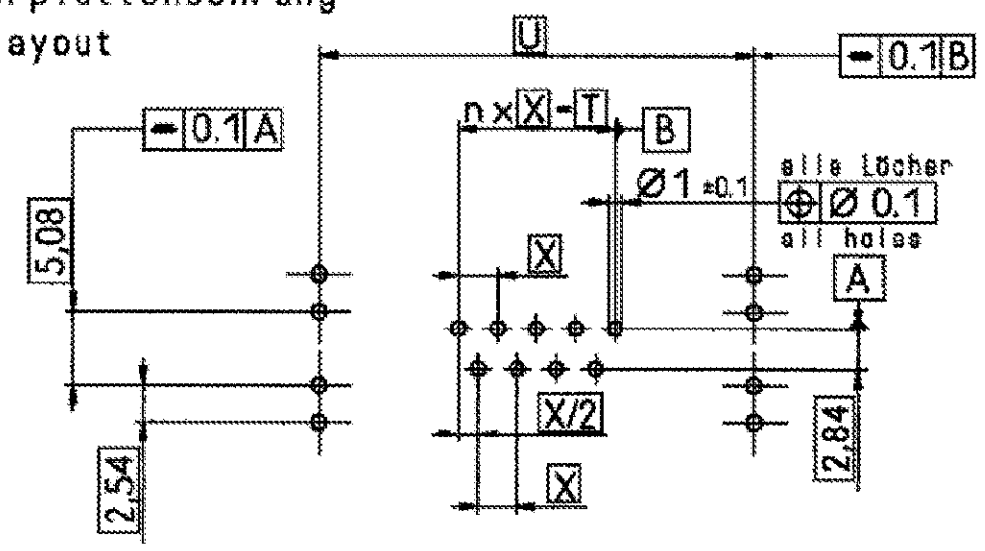
mit Masselötstiften und Stop-Mutter:
 with grounding soldering-pins and thread: ³⁾

M3: 4-40 UNC:
 V42254-A2214-B*** V42254-A2212-B***
 V42254-A2814-B*** V42254-A2812-B***

Verdrehsicherheit ≥ 130 Ncm
 torque retention ≥ 130 Ncm



Leiterplattenbohrung
 PCB layout



Polzahl No. of contacts	n	Abmessungen in mm dimensions in mm		
		T	U	X
9	4	10.96	30.4	2.74
15	7	19.18	38.8	2.74
25	12	33.12	52.7	2.76
37	18	49.68	69.1	2.76

Erläuterungen: Seite 1
 dargestellt wird die 9-polige Ausführung
 remarks: see page 1
 drawn is the 9-contacts version

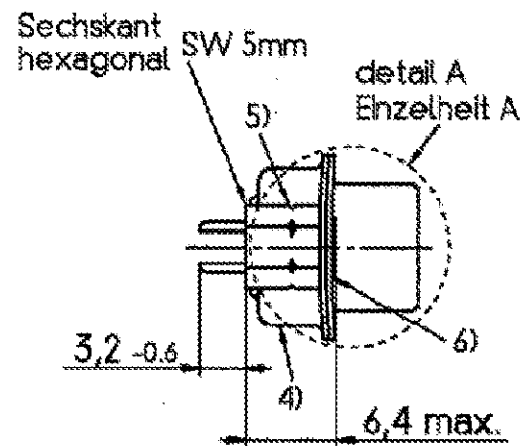
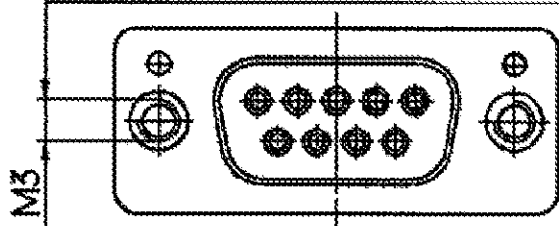
TE TE Connectivity		SCALE 2:1	WEIGHT
DIMENSIONS IN MM		MATERIAL	
DATE 01.03.90	NAME Embo	PART NAME Sub-D Lötstiften gerade Buchseleiste D-Sub straight soldering pins female connector	
DEP. PE Com.PE&SE	TOLERANCE UNLESS SPECIFIED OTHERWISE	PART NO. V42254-A2***-B***-27	SHT. 4+
SEE SHEET 1	Customer Drawing Nr. C-7-1393483-1	OF 8	

THIS INFORMATION IS CONFIDENTIAL AND PROPRIETARY TO TYCO ELECTRONICS CORPORATION AND ITS WORLDWIDE
 SUBSIDIARIES AND AFFILIATES. IT MAY NOT BE DISCLOSED TO ANYONE, OTHER THAN TYCO ELECTRONICS PERSONNEL,
 WITHOUT WRITTEN AUTHORIZATION FROM TYCO ELECTRONICS CORPORATION, HARRISBURG PENNSYLVANIA USA

mit Distanzbolzen :
with distance bolts: 7)

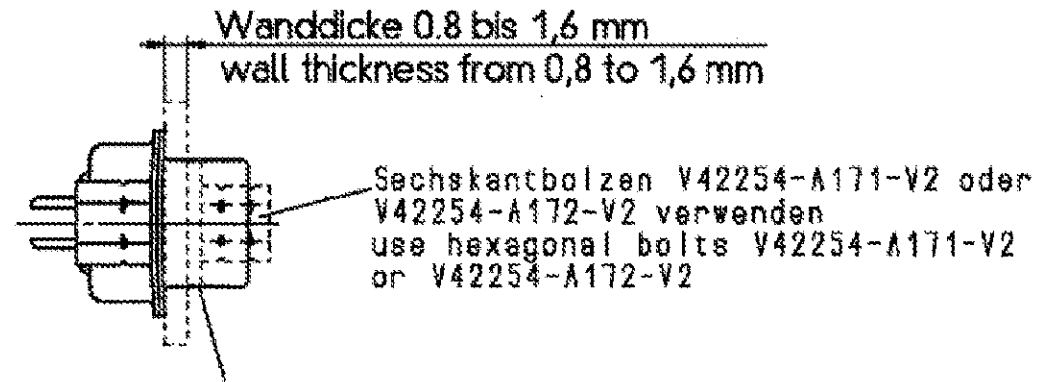
V42254-A2120-B***
V42254-A2122-B***

Verdrehsicherheit ≥ 20 Ncm
torque retention ≥ 20 Ncm



Montageart
mounting type

Wanddicke 0,8 bis 1,6 mm
wall thickness from 0,8 to 1,6 mm

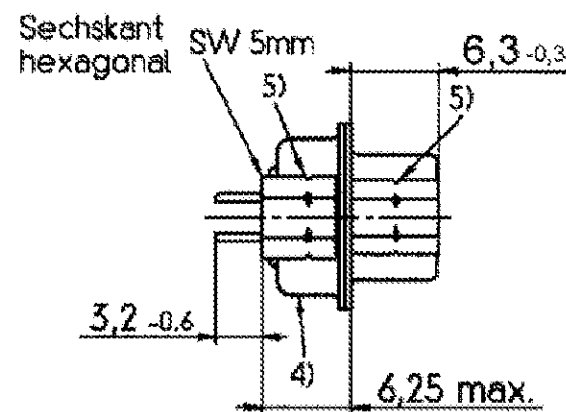
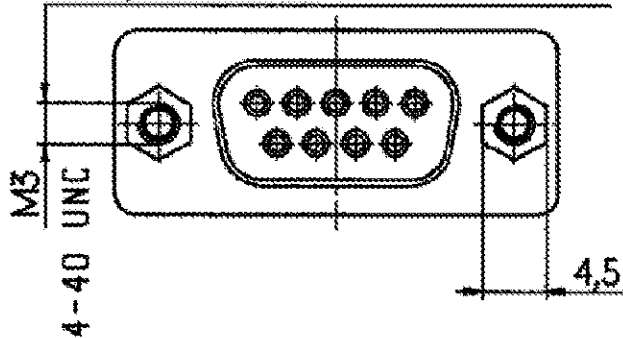


Falls notwendig Distanzscheiben verwenden
if necessary, use washer(s)

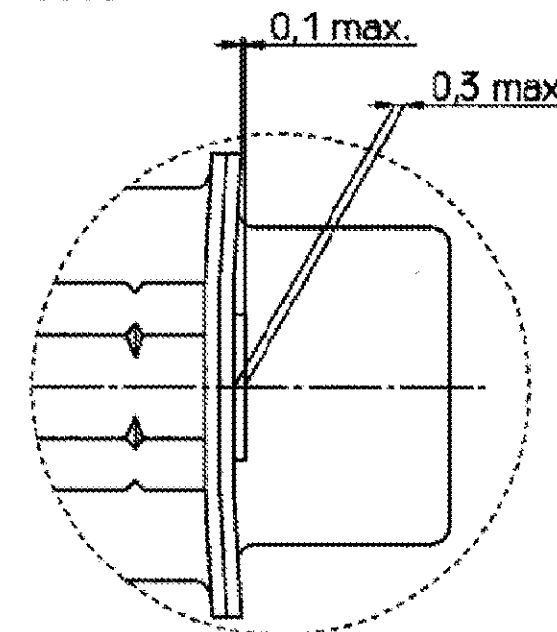
mit Gewinde- und Distanzbolzen:
with screwlock stud bolts and distance bolts: 7)

	Gewindebolzen screwlock stud bolts	Distanzbolzen distance bolts
V42254-A2130-B***	M3	M3
V42254-A2131-B***	4-40 UNC	M3
V42254-A2132-B***	M3	M3
V42254-A2133-B***	4-40 UNC	M3

Verdrehsicherheit ≥ 80 Ncm
torque retention ≥ 80 Ncm



Einzelheit A (5:1)
detail A



Erläuterungen: Seite 1
dargestellt wird die 9-polige Ausführung
remarks: see page 1
drawn is the 9-contacts version

TE TE Connectivity		SCALE 2:1	WEIGHT
DIMENSIONS IN MM		MATERIAL	
DATE 01.05.90	NAME Embo	PART NAME Sub-D Loetstiften gerade	
DEP. PE Com.PE&SE		Buchsenleiste	
		D-Sub straight soldering pins	
		female connector	
SEE SHEET 1		PART NO.	SHT. 5+
		V42254-A2***-B***-27	
REV. CHANGE ORDER	DATE	APP. Customer Drawing Nr. C-7-1393483-1	OF 8

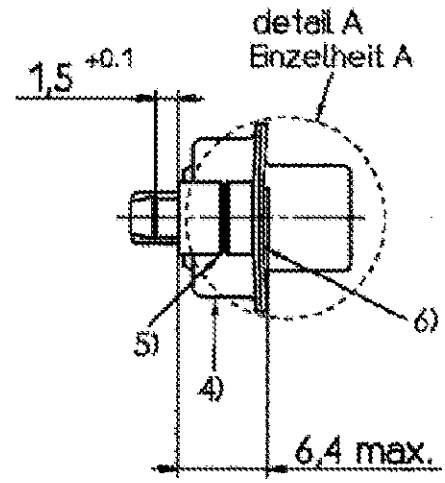
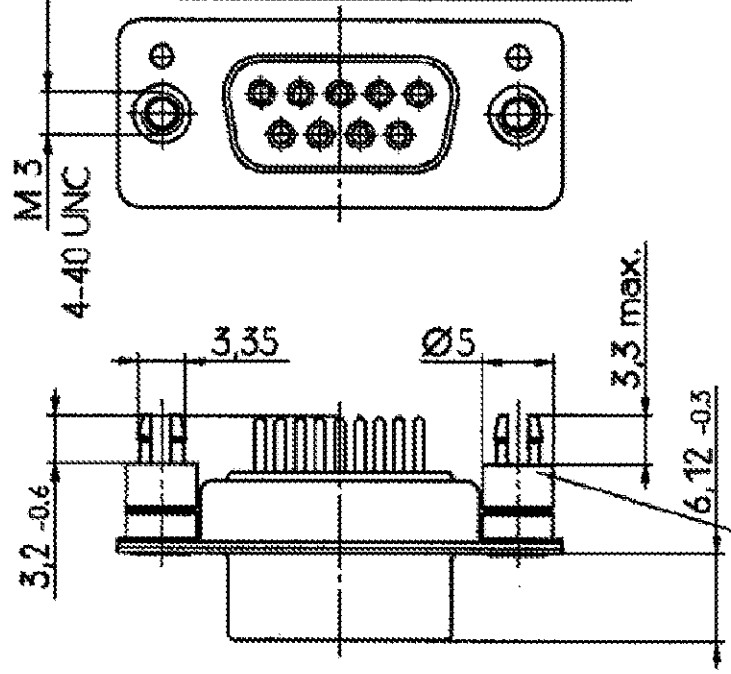
PROPRIETARY:

THIS INFORMATION IS CONFIDENTIAL AND PROPRIETARY TO TYCO ELECTRONICS CORPORATION AND ITS WORLDWIDE
 SUBSIDIARIES AND AFFILIATES. IT MAY NOT BE DISCLOSED TO ANYONE, OTHER THAN TYCO ELECTRONICS PERSONNEL,
 WITHOUT WRITTEN AUTHORIZATION FROM TYCO ELECTRONICS CORPORATION, HARRISBURG, PENNSYLVANIA, USA

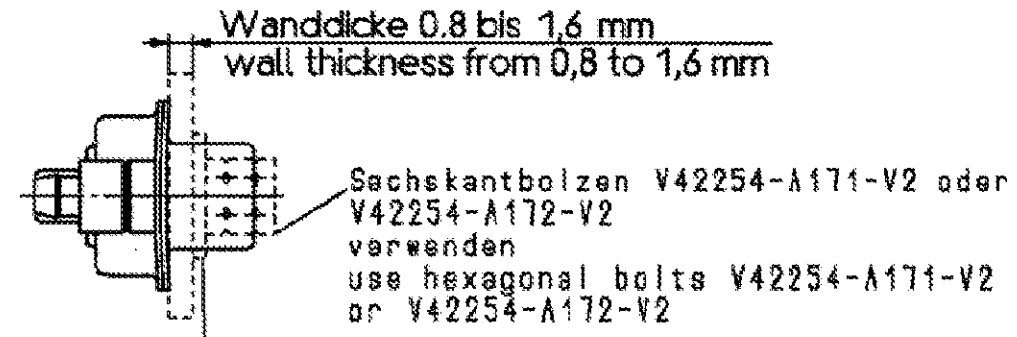
mit Distanzbolzen und Clip :
 with distance bolts and grounding socket : 7)

M3 : V42254-A2140-B*** 4-40 UNC : V42254-A2141-B***
 V42254-A2142-B***

Verdrehsicherheit ≥ 20 Ncm
 torque retention ≥ 20 Ncm

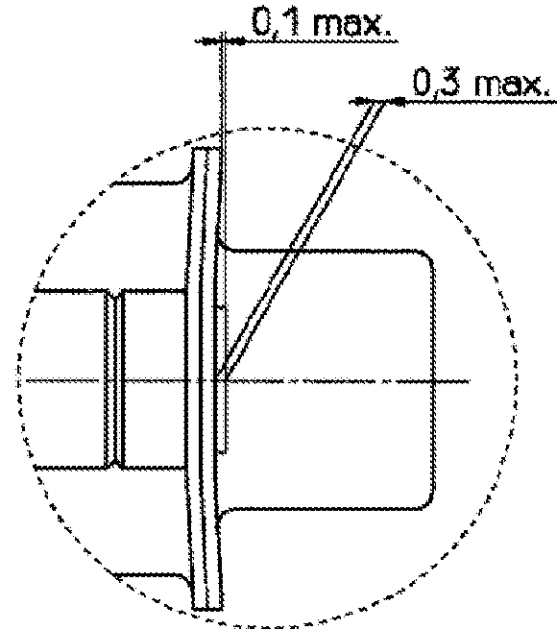


Montageart
 mounting type



Falls notwendig Distanzscheiben
 verwenden
 if necessary, use washer(s)

Einzelheit A (5:1)
 detail A

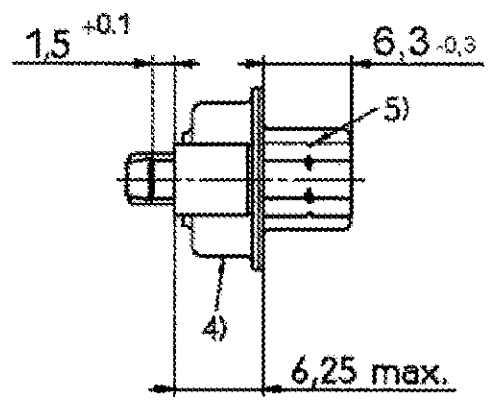
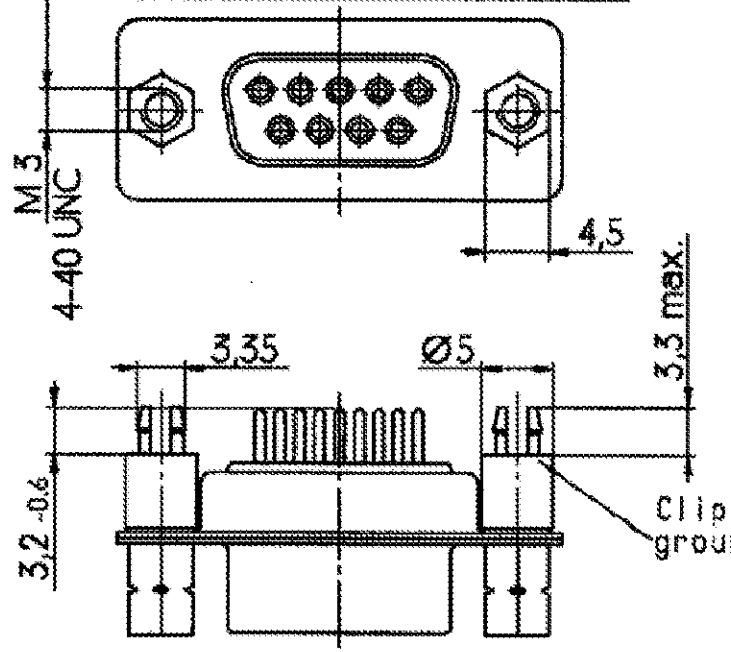


Clip für :
 grounding socket for:
 - Loch: $\varnothing 3,2^{+0,1}$
 hole:
 - LP-Dicke:
 PCB thickness: $1,5^{+0,1}$

mit Gewinde- und Distanzbolzen mit Clip :
 with screwlock stud bolts and distance bolts and grounding socket : 7)

M3 : V42254-A2150-B*** 4-40 UNC : V42254-A2151-B***
 V42254-A2152-B*** V42254-A2153-B***

Verdrehsicherheit ≥ 80 Ncm
 torque retention ≥ 80 Ncm



Clip für :
 grounding socket for:
 - Loch: $\varnothing 3,2^{+0,1}$
 hole:
 - LP-Dicke:
 PCB thickness: $1,5^{+0,1}$

Erläuterungen: Seite 1
 dargestellt wird die 9-polige Ausführung
 remarks: see page 1
 drawn is the 9-contacts version

		SCALE 2:1		WEIGHT	
		MATERIAL			
DATE 01.03.90		PART NAME		Sub-D Loetstiften gerade	
NAME Embo		PART NO.		V42254-A2***-B***-27	
DEF. PE Com PE&SE		TOLERANCE UNLESS SPECIFIED OTHERWISE		SHT. 6.	
SEE SHEET 1		Customer Drawing Nr. C-7-1393483-1		OF 8	
REV	CHANGE ORDER	DATE	APP		

PROPRIETARY:

V 4 2 2 5 4 - A 2 * * * - B * * *

Anschlußausführung // connection type	
1	Lotlötlänge 3,2mm // soldering pin length 3.2mm
2	Lotlötlänge 3,2mm // soldering pin length 3.2mm mit Messbleistiftan f) // with grounding soldering pins
3	Lotlötlänge 5,55mm // soldering pin length 5.55mm
4	Lotlötlänge 14,55mm f) // soldering pin length 14.55mm f)
5	Lotlötlänge 14,55mm f) // soldering pin length 14.55mm f)
6	Lotlötlänge 5,55mm // soldering pin length 5.55mm mit Messbleistiftan f) // with grounding soldering pins f)

Steckerart // connector type	
B	Buchsenleiste // female connector

Polzahl // no. of contacts	
09	9-polig // 9-contacts
15	15-polig // 15-contacts
24	23-polig // 23-contacts
37	37-polig // 37-contacts
50	50-polig // 50-contacts

Kontaktberfläche // Kontaktart // contact surface // contact type			
1	Anforderungsstufe 1 // gerillte Kontakte // performance level 1 // rolled contacts		
2	Anforderungsstufe 2 // gerillte Kontakte // performance level 2 // rolled contacts		

PERFORMANCE LEVEL 2 CONTACT FINISH:
Au or Au/FLASH OVER PGM

Steckverbinderunterzeichnung // connector hardware

1*

12	Standardausführung + Ausführung mit Gewindeinsert oder Gewindestift standard version + version with thread insert or screwlock stud bolts		
	mit TE - Beschriftung auf Blechsteif with TE - marking on the shell	mit Strip- bohrer with ream insert	mit Gewinde- bolzen with screwlock stud bolts
	ja // yes	4-40UNC	nein // no
14	ja // yes	M3	nein // no
15	ja // yes	nein // no	nein // no
16	ja // yes	nein // no	4-40UNC
17	nein // no	nein // no	nein // no
18	nein // no	nein // no	4-40UNC
19	ja // yes	nein // no	M3

2*)

Ausführung mit Distanzboizen version with distance bolts		
20	mit TE - Beschriftung auf Blechsteif with TE - marking on the shell	mit Distanz- boizen with distance bolts
	ja // yes	
22	nein // no	

3*)

Ausführung mit Gewindeboizen und Distanzboizen version with screwlock stud bolts and distance bolts		
30	mit TE - Beschriftung auf Blechsteif with TE - marking on the shell	mit Distanz- boizen with distance bolts
	ja // yes	
31	ja // yes	
32	nein // no	
33	nein // no	

4*)

Ausführung mit Distanzboizen mit Clip version with distance bolts and grounding socket		
40	mit TE - Beschriftung auf Blechsteif with TE - marking on the shell	mit Distanz- boizen with distance bolts
	ja // yes	
41	ja // yes	
42	nein // no	

5*)

Ausführung mit Gewindeboizen und Distanzboizen mit Clip version with screwlock stud bolts and distance bolts and grounding socket		
50	mit TE - Beschriftung auf Blechsteif with TE - marking on the shell	mit Distanz- boizen with distance bolts
	ja // yes	
51	ja // yes	
52	nein // no	
53	nein // no	

THIS INFORMATION IS CONFIDENTIAL AND PROPRIETARY TO TYCO ELECTRONICS CORPORATION AND ITS WORLDWIDE SUBSIDIARIES AND AFFILIATES. IT MAY NOT BE DISCLOSED TO ANYONE, OTHER THAN TYCO ELECTRONICS PERSONNEL, WITHOUT WRITTEN AUTHORIZATION FROM TYCO ELECTRONIC CORPORATION, HARRISBURG PENNSYLVANIA USA.

1) nicht für 30-polig
2) nur für Lotlötlänge 3,2mm
3) nur für 30-Kontakte Version
2) not for soldering pin length 3.2mm

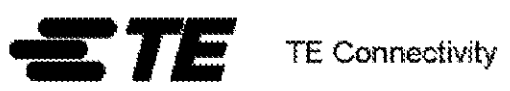
		TE Connectivity	SCNLS	WEIGHT
			MATERIAL	
			PART NAME	Sub-D Lotstiften gerade
				Buchsenleiste
				D-Sub straight soldering pins
				female connector
			PART NO.	V42254-A2***-B***-27
			REV. / CHANGE ORDER	DATE
			APP. / CUSTOMER DRAWING NO.	C-1-1001485-1
				of 2

THIS INFORMATION IS CONFIDENTIAL AND PROPRIETARY TO TYCO ELECTRONICS CORPORATION AND ITS WORLDWIDE
 SUBSIDIARIES AND AFFILIATES. IT MAY NOT BE DISCLOSED TO ANYONE, OTHER THAN TYCO ELECTRONICS PERSONNEL,
 WITHOUT WRITTEN AUTHORIZATION FROM TYCO ELECTRONICS CORPORATION, HARRISBURG, PENNSYLVANIA USA

PROPRIETARY:

TE PARTNUMBER	OLD PARTNUMBER (Description)	
1-1393484-0	V42254A2140B125	
1-1393484-1	V42254A2140B137	OBSOLETE
1-1393484-2	V42254A2140B209	
1-1393484-5	V42254A2141B209	OBSOLETE
1-1393484-6	V42254A2141B215	OBSOLETE
1-1393484-7	V42254A2141B225	OBSOLETE
1-1393484-8	V42254A2141B237	OBSOLETE ⁹
1-1393740-3	V42254A2115B250	OBSOLETE
1-1393740-7	V42254A2212B209	OBSOLETE
1-1393740-8	V42254A2212B215	OBSOLETE
1-1393740-9	V42254A2212B225	OBSOLETE
1393484-9	V42254A2116B209	OBSOLETE ^A
1393484-4	V42254A2116B225	OBSOLETE
1393484-5	V42254A2116B237	OBSOLETE ^A
1393484-8	V42254A2140B109	
1393484-9	V42254A2140B115	
1393741-1	V42254A2812B215	
1393741-3	V42254A2816B109	OBSOLETE
1393741-4	V42254A2816B115	
1393741-5	V42254A2819B209	
1393741-6	V42254A2819B225	
1485839-1	V42254A21XXB209	
1485839-2	V42254A21XXB215	
1485839-3	V42254A21XXB215P	
1485839-4	V42254A21XXB225	
1485839-5	V42254A21XXB225P	
1485839-6	V42254A21XXB237	
1857994-3	25p Sub-D PCB Rec 4-40 UNC Scr.Lck+Clp	OBSOLETE
2-1393484-2	V42254A2151B209	OBSOLETE
2-1393484-3	V42254A2151B215	OBSOLETE
2-1393484-4	V42254A2151B225	OBSOLETE
2-1393740-8	V42254A2214B209	
2-1393740-9	V42254A2214B215	OBSOLETE ^A
3-1393484-1	V42254A2315B109	OBSOLETE
3-1393484-2	V42254A2315B115	OBSOLETE ^A
3-1393484-3	V42254A2315B209	OBSOLETE
3-1393484-4	V42254A2315B215	OBSOLETE
3-1393484-5	V42254A2315B225	OBSOLETE ⁹
3-1393484-6	V42254A2315B237	OBSOLETE
3-1393740-0	V42254A2214B225	OBSOLETE
3-1393740-1	V42254A2214B237	OBSOLETE
4-1393740-4	V42254A2215B209	OBSOLETE ¹⁰
4-1393740-5	V42254A2215B215	OBSOLETE

TE PARTNUMBER	OLD PARTNUMBER (Description)	
4-1393740-6	V42254A2215B225	OBSOLETE ^A
4-1393740-7	V42254A2215B237	OBSOLETE
6-1393740-6	V42254A2216B109	OBSOLETE
6-1393740-7	V42254A2216B115	OBSOLETE ^A
6-1393740-8	V42254A2216B125	OBSOLETE ^A
6-1393740-9	V42254A2216B137	
7-1393483-1	SUB D FEDERLEISTE	OBSOLETE
7-1393483-2	V42254A2112B225	
7-1393483-5	SUB D FEDERLEISTE	
7-1393483-6	V42254A2114B215	OBSOLETE ^A
7-1393740-0	V42254A2216B209	
7-1393740-1	V42254A2216B215	
7-1393740-2	V42254A2216B225	
7-1393740-3	V42254A2216B237	
8-1393483-6	V42254A2115B125	^A OBSOLETE
8-1393483-7	V42254A2115B209	
8-1393483-8	V42254A2115B215	OBSOLETE
8-1393483-9	V42254A2115B225	OBSOLETE
8-1393740-7	SUB D FEDERLEISTE	
8-1393740-8	SUB D FEDERLEISTE	OBSOLETE
8-1393740-9	SUB D FEDERLEISTE	
9-1393483-0	V42254A2115B237	OBSOLETE
9-1393740-0	V42254A2219B209	
9-1393740-1	V42254A2219B215	
9-1393740-2	V42254A2219B225	⁹ OBSOLETE
9-1393740-3	V42254A2219B237	
9-1393740-8	V42254A2315B250	

		SCALE 2:1		WEIGHT
		MATERIAL		
DATE 01.05.90 NAME Embo DEP. PE Com PE&SE		DIMENSIONS IN MM LOC GW		PART NAME Sub-D Loetstiften gerade Buchserleiste D-Sub straight soldering pins female connector
TOLERANCE UNLESS SPECIFIED OTHERWISE		PART NO.		SHT. 8+
SEE SHEET 1		V42254-A2***-B***-*-27		OF 8
REV.	CHANGE ORDER	DATE	APP.	Customer Drawing Nr. G-7-1393483-1

X-ON Electronics

Largest Supplier of Electrical and Electronic Components

Click to view similar products for [D-Sub Standard Connectors](#) category:

Click to view products by [TE Connectivity](#) manufacturer:

Other Similar products are found below :

[56F711-015](#) [012-9507-004](#) [LV242999-142T12](#) [015-0341-000](#) [015-0372-005](#) [015-0372-008](#) [015-8755-001](#) [020419-0104](#) [012-0467-000](#) [012-0515-000](#) [012-9507-034](#) [012-9507-114](#) [020745-0008](#) [609-25P](#) [M24308/2-23Z](#) [CT2-14S-2PCA34](#) [CT2-18-11PCAU](#) [CT6-10SL-3SC](#) [CT6-10SL-4SC](#) [CT6-14S-2SC](#) [CT6E14SA7SC](#) [M83513/01-FC](#) [M83723/76W24619 L/C](#) [M85049/48-3-2F](#) [6STD09PCM99B70X](#) [6STD09SCM99B30X](#) [6STD09SCT99S40X](#) [6STD15PCT99S40X](#) [6STD15SCM99B30X](#) [6STD15SCT99S40X](#) [6STF09PCM05B70X](#) [7-135760-9](#) [MC11E-10-6SN](#) [747552-3](#) [MD1-21PS](#) [MDM-15SCBRM7-F222](#) [MDM96517-699](#) [MDM96521-744](#) [MDVB1-21SL1](#) [MIK0-1-7SH003](#) [MIKQ6-7SH076](#) [MIKQ7-7PH077](#) [MIKQ7-7PH11](#) [MIKQ7-7PH32](#) [MJSV-28SL61](#) [MKJ4A1F14-55S](#) [8-135760-3](#) [8STD09PCM99B30X](#) [PG-KV/PV-16-GROM-SEALING](#) [GDA15P](#)