

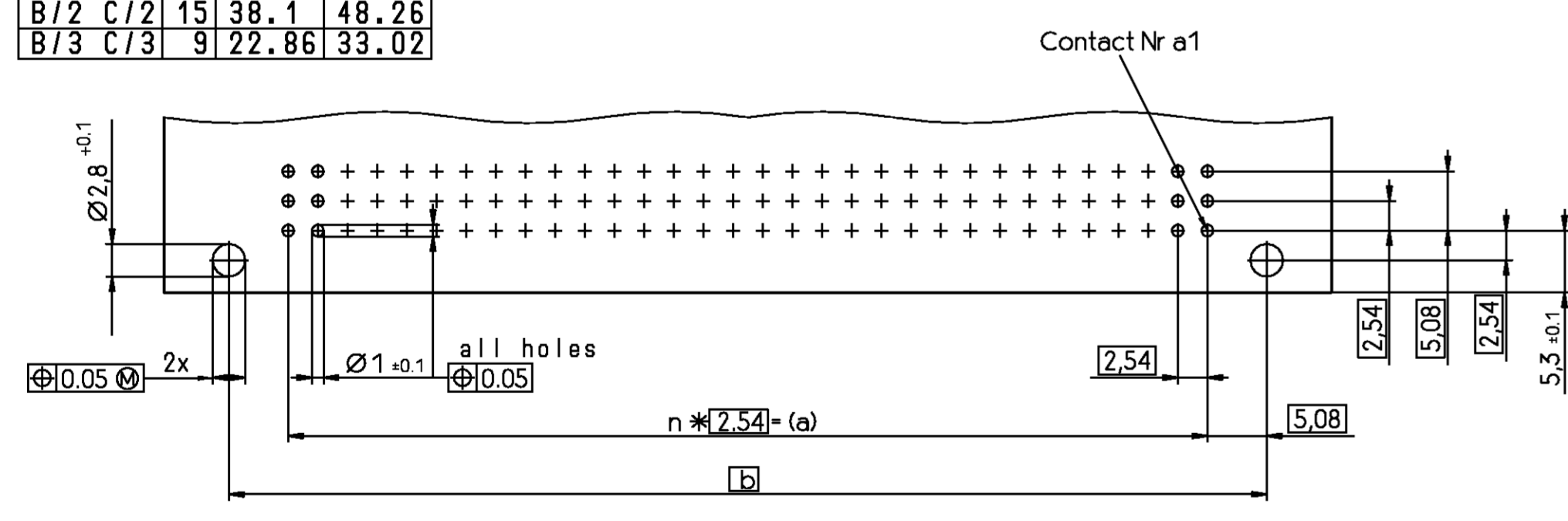
Housing material: PBTP 30% glassfilled (UL94V-0)
pebble grey (similar RAL 7032)

Housing material: PBTP 30% glassfilled (UL94V-0)
pebble grey (similar RAL 7032)

Housing material: PBTP 30% glassfilled (UL94V-0)
pebble grey (similar RAL 7032)

Bauform	n	a	b
B	C	31	78.74
B/2	C/2	15	38.1
B/3	C/3	9	22.86

Mounting holes in PCB



V 4 2 2 5 4 - * 1 * * * - + * * *

B : Standard version
F : Version with flux tight coating

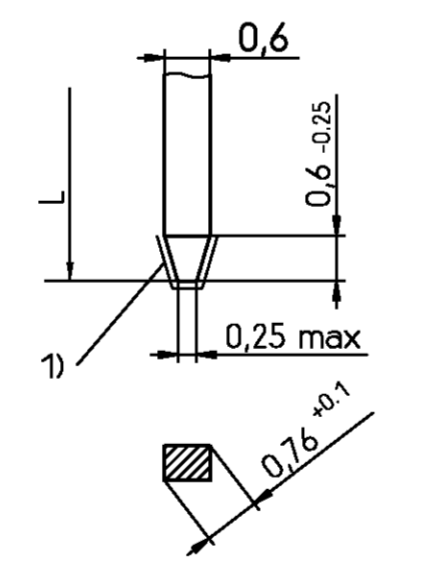
code for performance level
code for termination style

Style, no of contacts
and contact assignment
see page 2

THIS INFORMATION IS CONFIDENTIAL AND PROPRIETARY TO TYCO ELECTRONICS CORPORATION AND ITS WORLDWIDE SUBSIDIARIES AND AFFILIATES. IT MAY NOT BE DISCLOSED TO ANYONE, OTHER THAN TYCO ELECTRONICS CORPORATION, WITHOUT WRITTEN AUTHORIZATION FROM TYCO ELECTRONICS CORPORATION, HARRISBURG, PENNSYLVANIA USA.

Termination Style

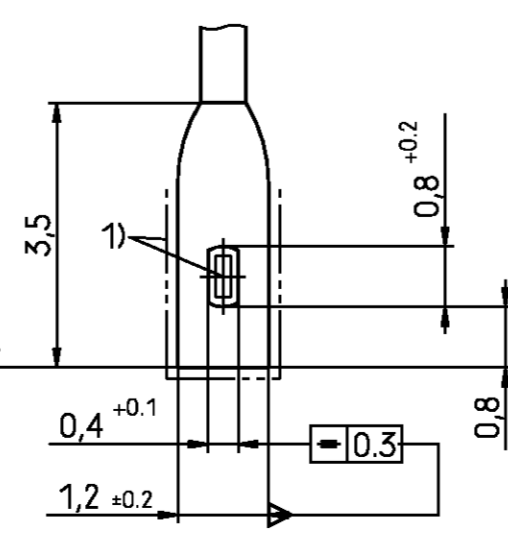
Soldering/Wire-Wrap pins



L	Code
3 -0.4	00
2.9±0.3	01
4.5±0.3	02
13 +0.5	40
11 +0.5	41
17 +0.5	42
Soldering lugs	35
5.5±0.3	
10 -0.5	

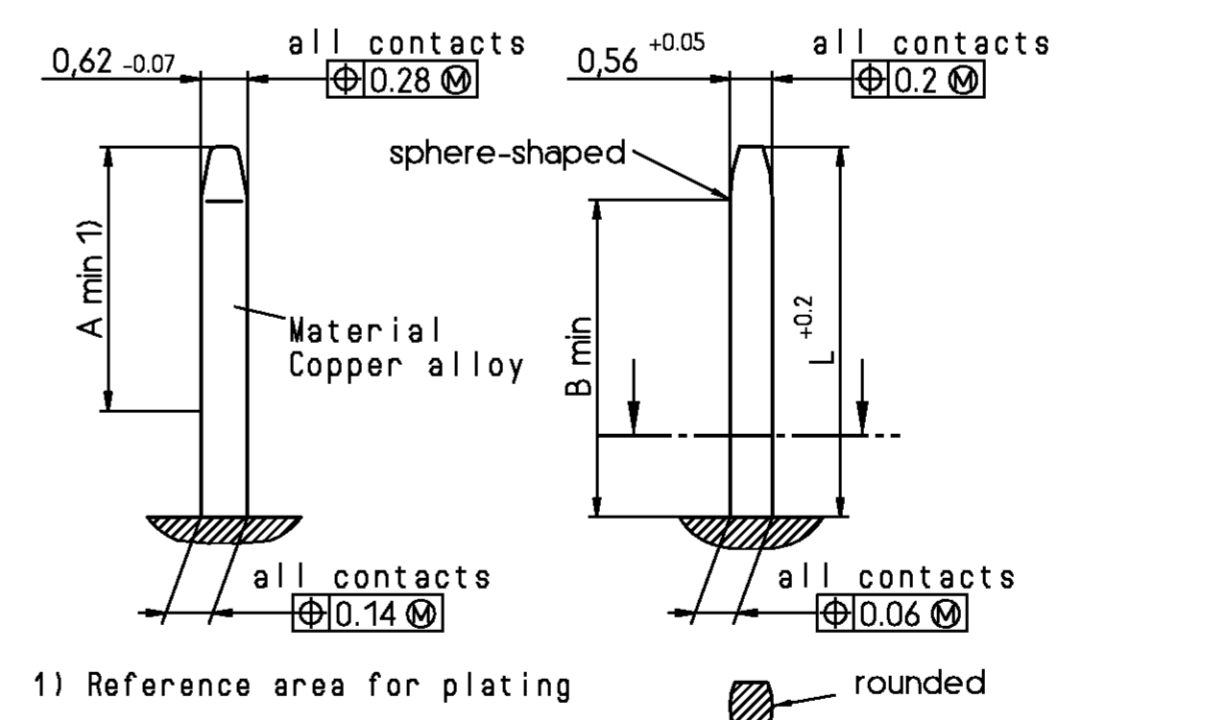
1) Cutting, edges not plated
Terminations with galvanic Sn plating

Soldering lug



V42254-B1***-C***

Contact: Dimensions, plating, material, pre-mating



1) Reference area for plating

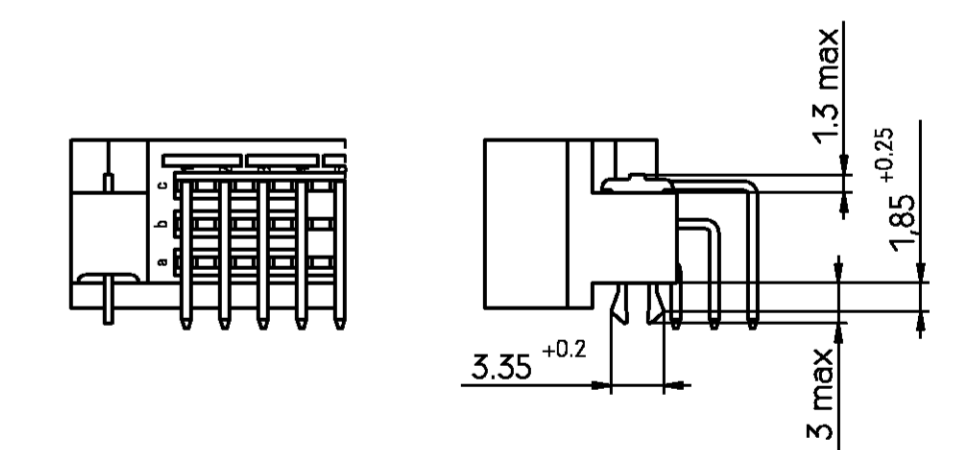
	L	A	B
normal contacts	4.8	3.5	4.2
pre-mating contacts	5.8	4.5	5.2

Performance level acc to DIN41612 and IEC603-2	Noble metals	Code
Class I	PdNi + Au or Au	1
	Au	4
Class II	PdNi + Au or Au	2
	Au	5
Class III	PdNi + Au or Au	3

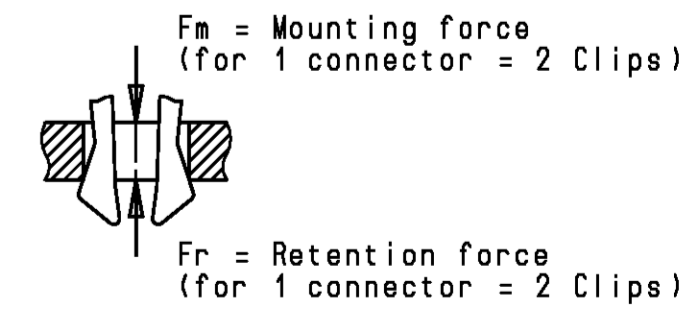
Nickel underlayer
Protection film: HF-grease

V42254-B1***-C***

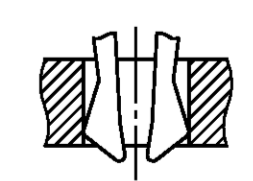
Male connector with board locks



Mounted in PC-boards of 1.5 to 1.8 mm
F_m < 60 N
F_r > 20 N
F_r > 200 N, wenn soldered-in



Mounted in PC-boards over 1.8 mm
F_m < 60 N
F_r > 16 N



STE TE Connectivity		SCALE	WEIGHT
TE Connectivity		MATERIAL	
DATE: 10.02.89	NAME: Clavelier	PART NAME: Pin Assembly Eurocard	
DEP: PD COM		Types B, C and short versions	
TOLERANCE UNLESS SPECIFIED OTHERWISE		PART NO.	SHT. 1+
ECO-17-002173 10MAR2017 SY		V42254-B1***-C***-7626	
REV. CHANGE ORDER	DATE	APP.	Customer Drawing Nr. C 1392009-B
		OF 2	

Product description code	Part Number	Style & Number of Positions	Termination Posts	Loaded Rows	Standard Pre-Mating (mm J)	Performance Level	Board Locks
SUPERSEDED BY 5-1393644-6	V42254-B1100-B200	1393644-1	B20	right-angle solder leads	every row , every pitch	No	1 No
	V42254-B1100-B230	1393644-2	B20	right-angle solder leads	every row , every pitch	Yes	1 No
SUPERSEDED BY 5-1393644-9	V42254-B1100-B320	1393644-3	B32	right-angle solder leads	every row , every pitch	No	1 No
SUPERSEDED BY 6-1393644-3	V42254-B1100-B640	1393644-4	B64	right-angle solder leads	every row , every pitch	No	1 No
	V42254-B1100-B641	1393644-5	B64	right-angle solder leads	row a , every pitch	No	1 No
OBSOLETE	V42254-B1100-B645	1393644-6	B64	right-angle solder leads	every row , every even pitch	No	1 No
	V42254-B1100-C480	1393644-9	C48	right-angle solder leads	every row , every pitch	No	1 No
OBSOLETE	V42254-B1100-C483	1-1393644-0	C48	right-angle solder leads	every row , every pitch	No	1 No
	V42254-B1100-C910	1-1393644-2	C96	right-angle solder leads	row atc , every pitch	No	1 Yes
	V42254-B1100-C960	1-1393644-6	C96	right-angle solder leads	every row , every pitch	No	1 No
	V42254-B1100-C963	1-1393644-7	C96	right-angle solder leads	every row , every pitch	No	1 No
	V42254-B1100-C965	1-1393644-8	C96	right-angle solder leads	row atc , every pitch	No	1 No
	V42254-B1100-C968	1-1393644-9	C96	right-angle solder leads	every row , every even pitch	No	1 No
	V42254-B1100-C968H	2-1393644-0	C96	right-angle solder leads	row atc , every even pitch	No	1 No
OBSOLETE	V42254-B1101-B230	3-1393644-2	B20	2,9mm straight solder leads	every row , every pitch	Yes	1 No
	V42254-B1102-B320	3-1393644-3	B32	4,5mm straight solder leads	every row , every pitch	No	1 No
	V42254-B1102-B640	3-1393644-4	B64	4,5mm straight solder leads	every row , every pitch	No	1 No
	V42254-B1102-C960	3-1393644-5	C96	4,5mm straight solder leads	every row , every pitch	No	1 No
	V42254-B1102-C963	3-1393644-6	C96	4,5mm straight solder leads	row atc , every pitch	No	1 No
	V42254-B1135-B640	4-1393644-0	B64	solder lugs	every row , every pitch	No	1 No
OBSOLETE	V42254-B1200-B200	5-1393644-6	B20	right-angle solder leads	every row , every pitch	No	2 No
	V42254-B1200-B310	5-1393644-8	B32	right-angle solder leads	every row , every pitch	No	2 Yes
	V42254-B1200-B320	5-1393644-9	B32	right-angle solder leads	every row , every pitch	No	2 No
OBSOLETE	V42254-B1200-B321	6-1393644-0	B32	right-angle solder leads	row a , every pitch	No	2 No
	V42254-B1200-B610	6-1393644-3	B64	right-angle solder leads	every row , every pitch	No	2 Yes
OBSOLETE	V42254-B1200-B611	6-1393644-4	B64	right-angle solder leads	row a , every pitch	No	2 Yes
	V42254-B1200-B630	6-1393644-5	B64	right-angle solder leads	every row , every pitch	Yes	2 No
	V42254-B1200-B640	6-1393644-6	B64	right-angle solder leads	every row , every pitch	No	2 No
	V42254-B1200-B641	6-1393644-7	B64	right-angle solder leads	row a , every pitch	No	2 No
OBSOLETE	V42254-B1200-B645	6-1393644-8	B64	right-angle solder leads	every row , every even pitch	No	2 No
	V42254-B1200-C300	6-1393644-9	C30	right-angle solder leads	every row , every pitch	No	2 No
SUPERSEDED BY 6-1393644-9	V42254-B1200-C303	7-1393644-0	C30	right-angle solder leads	row atc , every pitch	No	2 No
	V42254-B1200-C310	7-1393644-1	C30	right-angle solder leads	every row , every pitch	No	2 Yes
SUPERSEDED BY 7-1393644-1	V42254-B1200-C313	7-1393644-2	C30	right-angle solder leads	row atc , every pitch	No	2 Yes
	V42254-B1200-C410	7-1393644-4	C48	right-angle solder leads	every row , every pitch	No	2 Yes
SUPERSEDED BY 5650978-5	V42254-B1200-C413	7-1393644-5	C48	right-angle solder leads	row atc , every pitch	No	2 Yes
	V42254-B1200-C430	7-1393644-6	C48	right-angle solder leads	every row , every pitch	Yes	2 No
OBSOLETE	V42254-B1200-C433	7-1393644-7	C48	right-angle solder leads	row atc , every pitch	No	2 No
	V42254-B1200-C453	7-1393644-9	C48	right-angle solder leads	row atc , every pitch	Yes	2 Yes
	V42254-B1200-C480	8-1393644-0	C48	right-angle solder leads	every row , every pitch	No	2 No
	V42254-B1200-C483	8-1393644-1	C48	right-angle solder leads	row atc , every pitch	No	2 No
OBSOLETE	V42254-B1200-C485	8-1393644-2	C48	right-angle solder leads	every row , every even pitch	No	2 No
	V42254-B1200-C910	8-1393644-3	C96	right-angle solder leads	every row , every pitch	No	2 Yes
OBSOLETE	V42254-B1200-C912	8-1393644-4	C96	right-angle solder leads	row atb , every pitch	No	2 Yes
	V42254-B1200-C913	8-1393644-5	C96	right-angle solder leads	row atc , every pitch	No	2 Yes
	V42254-B1200-C918	8-1393644-6	C96	right-angle solder leads	row atc , every even pitch	No	2 Yes
	V42254-B1200-C930	8-1393644-7	C96	right-angle solder leads	every row , every pitch	Yes	2 No
	V42254-B1200-C933	8-1393644-8	C96	right-angle solder leads	row atc , every pitch	Yes	2 No
OBSOLETE	V42254-B1200-C938	8-1393644-9	C96	right-angle solder leads	row atc , every even pitch	Yes	2 No
	V42254-B1200-C953	9-1393644-0	C96	right-angle solder leads	row atc , every pitch	Yes	2 Yes
	V42254-B1200-C960	9-1393644-1	C96	right-angle solder leads	every row , every pitch	No	2 No
OBSOLETE	V42254-B1200-C960B	9-1393644-2	C96	right-angle solder leads	every row , every pitch	No	2 No
	V42254-B1200-C961	9-1393644-3	C96	right-angle solder leads	row a , every pitch	No	2 No
	V42254-B1200-C963	9-1393644-4	C96	right-angle solder leads	row atc , every pitch	No	2 No
OBSOLETE	V42254-B1200-C963B	9-1393644-5	C96	right-angle solder leads	row atc , every pitch	No	2 No
	V42254-B1200-C965	9-1393644-6	C96	right-angle solder leads	every row , every even pitch	No	2 No
	V42254-B1200-C968	9-1393644-7	C96	right-angle solder leads	row atc , every even pitch	No	2 No
OBSOLETE	V42254-B1201-B320	2-1393645-5	B32	2,9mm straight solder leads	every row , every pitch	No	2 No
	V42254-B1201-B640	1392009-8	B64	2,9mm straight solder leads	every row , every pitch	No	2 No
	V42254-B1201-C300	2-1393645-6	C30	2,9mm straight solder leads	every row , every pitch	No	2 No
	V42254-B1201-C480	2-1393645-7	C48	2,9mm straight solder leads	every row , every pitch	No	2 No
	V42254-B1201-C960	2-1393502-6	C96	2,9mm straight solder leads	every row , every pitch	No	2 No
	V42254-B1201-C963	2-1393502-7	C96	2,9mm straight solder leads	row atc , every pitch	No	2 No
	V42254-B1202-B200	2-1393645-9	B20	4,5mm straight solder leads	every row , every pitch	No	2 No
	V42254-B1202-B320	3-1393645-0	B32	4,5mm straight solder leads	every row , every pitch	No	2 No
	V42254-B1202-B640	3-1393645-1	B64	4,5mm straight solder leads	every row , every pitch	No	2 No
	V42254-B1202-C300	1392009-9	C30	4,5mm straight solder leads	every row , every pitch	No	2 No
	V42254-B1202-C480	3-1393645-4	C48	4,5mm straight solder leads	every row , every pitch	No	2 No
	V42254-B1202-C483	3-1393645-5	C48	4,5mm straight solder leads	row atc , every pitch	No	2 No
	V42254-B1202-C960	3-1393645-6	C96	4,5mm straight solder leads	every row , every pitch	No	2 No
	V42254-B1202-C963	3-1393645-7	C96	4,5mm straight solder leads	row atc , every pitch	No	2 No
	V42254-B1202-C968	3-1393645-8	C96	4,5mm straight solder leads	row atc , every even pitch	No	2 No
OBSOLETE	V42254-B1235-C480	4-1393645-5	C48	solder lugs	every row , every pitch	No	2 No
	V42254-B1235-C960	4-1393645-7	C96	solder lugs	every row , every pitch	No	2 No
	V42254-B1235-C963	4-1393645-8	C96	solder lugs	row atc , every pitch	No	2 No
	V42254-B1240-B320	5-1393645-1	B32	13mm straight wire-wrap pins	every row , every pitch	No	2 No
	V42254-B1240-B640	5-1393645-2	B64	13mm straight wire-wrap pins	every row , every pitch	No	2 No
	V42254-B1240-C300	5-1393645-3	C30	13mm straight wire-wrap pins	every row , every pitch	No	2 No
	V42254-B1240-C480	5-1393645-4	C48	13mm straight wire-wrap pins	every row , every pitch	No	2 No
	V42254-B1240-C960	5-1393645-5	C96	13mm straight wire-wrap pins	every row , every pitch	No	2 No
	V42254-B1240-C963	5-1393645-7	C96	13mm straight wire-wrap pins	row atc , every pitch	No	2 No
	V42254-B1240-C963B	5-1393645-8	C96	13mm straight wire-wrap pins	row atc , every pitch	No	2 No
SUPERSEDED BY 6-1393644-6	V42254-B1300-B640	4-1393646-5	B64	right-angle solder leads	every row , every pitch	No	3 No
SUPERSEDED BY 9-1393644-1	V42254-B1300-C960	4-1393646-6	C96	right-angle solder leads	every row , every pitch	No	3 No
SUPERSEDED BY 9-1393644-4	V42254-B1300-C963	4-1393646-7	C96	right-angle solder leads	row atc , every pitch	No	3 No
	V42254-F1200-C480	1-1393647-2	C48	right-angle solder leads	every row , every pitch	No	2 No
	V42254-F1200-C960	1-1393647-3	C96	right-angle solder leads	every row , every pitch	No	2 No
	V42254-F1200-C963	1-1393647-4	C96	right-angle solder leads	row atc , every pitch	No	2 No

- 4) According BT 236 level 2.
3) According BT 222 level 1.
2) Connectors have a flux-tight coating.
1) First and last contact of each loaded row is a pre-mating (make first / break last) contact.

Active part numbers.
Contact TE for other configuration availability

STE TE Connectivity		SCALE		WEIGHT	
MATERIAL		DIMENSIONS IN MM		PART NAME	
B6 ECR-10-004503	13SEP11	MKO	DATE	10.02.89	
B5 ECR-10-002555	01JUN10	MKO	NAME	Cavelier	
B4 SR10-0177-03	18 JUN 03	KV	DEP	PE Com	
B3 SR10-0415-02	16 Sep 02	BC			
B2 SR10-0157-02	13 Mar 02	BC			
B1 SR10-0130-02	28 Feb 02	BC			
B SR10-0198-01	21.05.01	BC			
A IWO 007012	20.07.00	VVS			
REV	CHANGE ORDER	DATE	APP	Customer Drawing Nr.	C 1392009-8
PART NO.			Pin Assembly Eurocard		
			Types B, C and short versions		
PART NO.			V42254-B1***-C***-7626		
TOLERANCE UNLESS SPECIFIED OTHERWISE			SHT. 2-		
			OF 2		

X-ON Electronics

Largest Supplier of Electrical and Electronic Components

Click to view similar products for [DIN 41612 Connectors](#) category:

Click to view products by [TE Connectivity](#) manufacturer:

Other Similar products are found below :

[004.767](#) [608489050008049](#) [691327-1](#) [74670-0732](#) [74680-0340](#) [75880-0015](#) [76453-0014](#) [86093159ALF](#) [9732967801](#) [QLC260R](#)
[120X10019X](#) [120X10089X](#) [122A10249X](#) [122A11089X](#) [122A13089X](#) [122A10089X](#) [122A10129X](#) [122A10349X](#) [122A13359X](#) [1377391-4](#)
[DIN-048CPC-SR1-MH](#) [1393583-2](#) [1393726-7](#) [140X10129X](#) [143-1913-000](#) [143-1908-000](#) [1484472-1](#) [2110070-1](#) [2110070-2](#) [CBC20T00-](#)
[008FDS5-0-1-002VR](#) [172699-5036](#) [2-1393557-4](#) [2-1437084-2](#) [394506](#) [419-2080-402](#) [V42254B2202C968](#) [419-2086-201](#) [419-2087-002](#)
[448657-1](#) [448847-3](#) [5-1393755-9](#) [02990000004](#) [054302](#) [043556](#) [09062483201750](#) [0850033067](#) [09031646555](#) [09061486901840](#)
[09185107324800](#) [102A10019X](#)