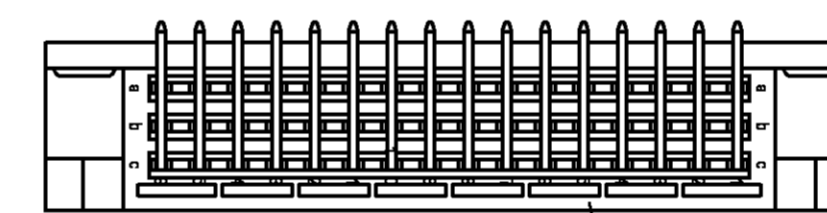
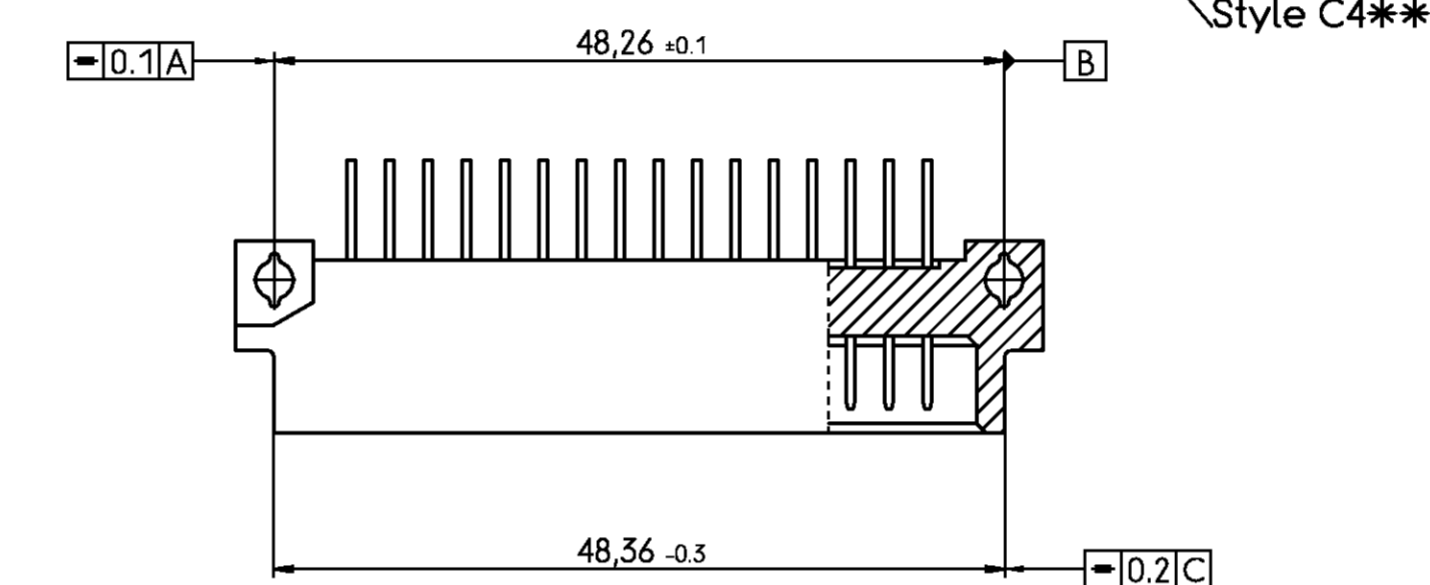
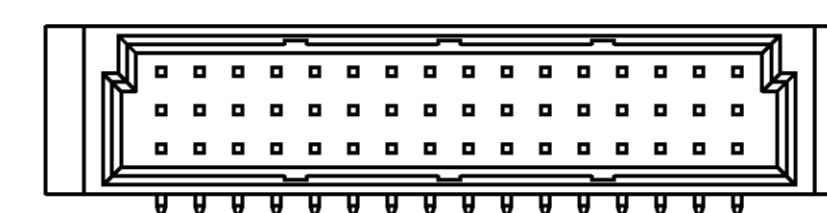
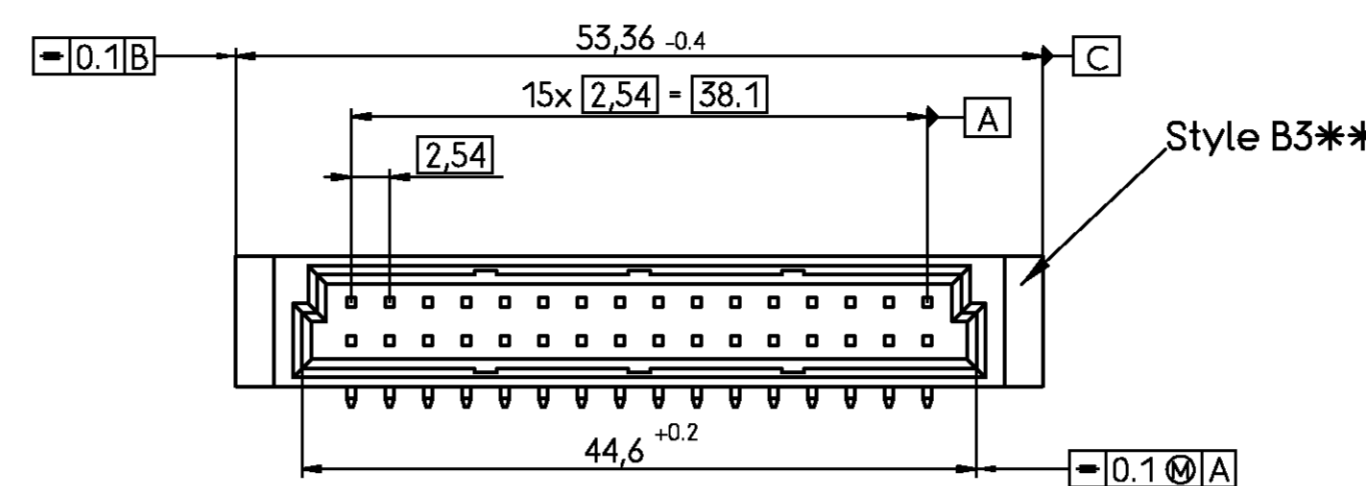
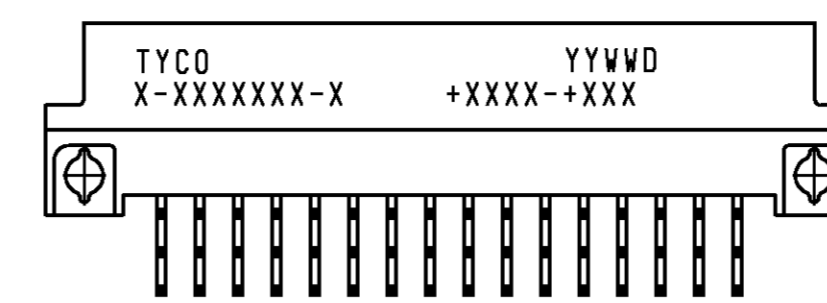
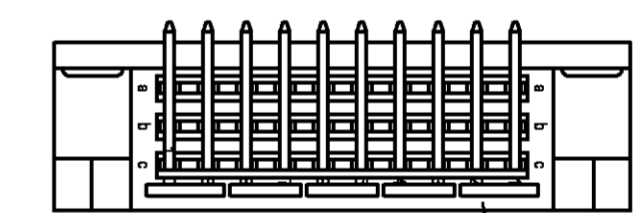
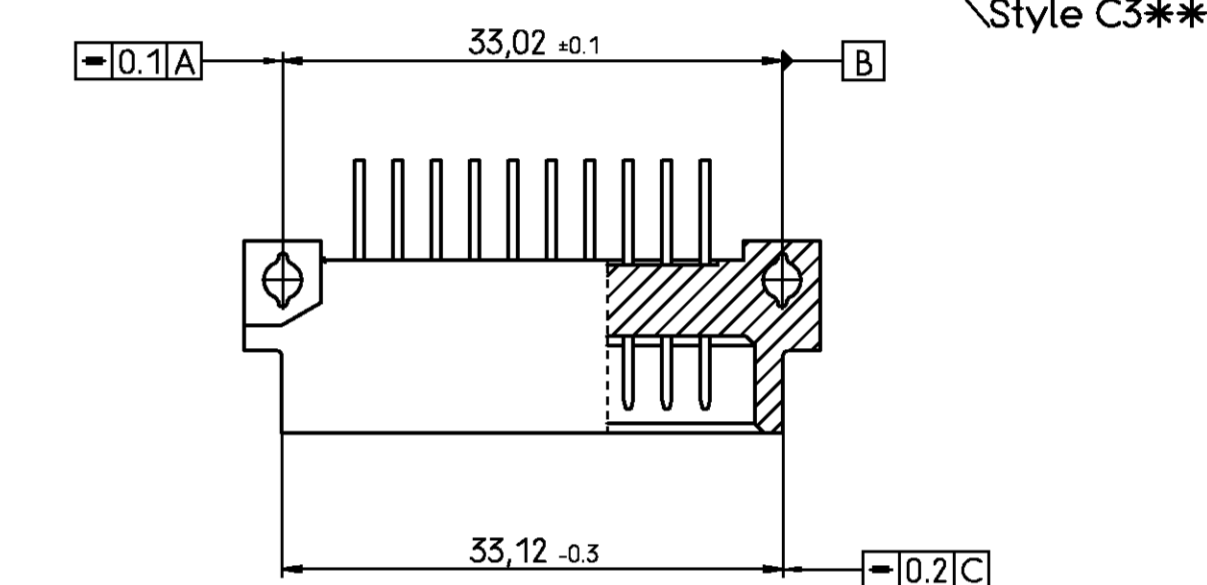
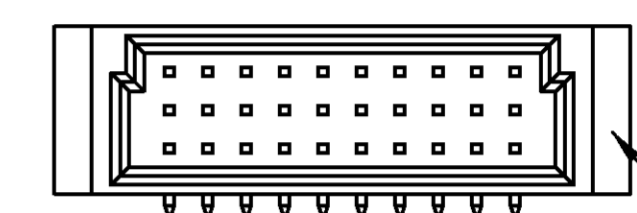
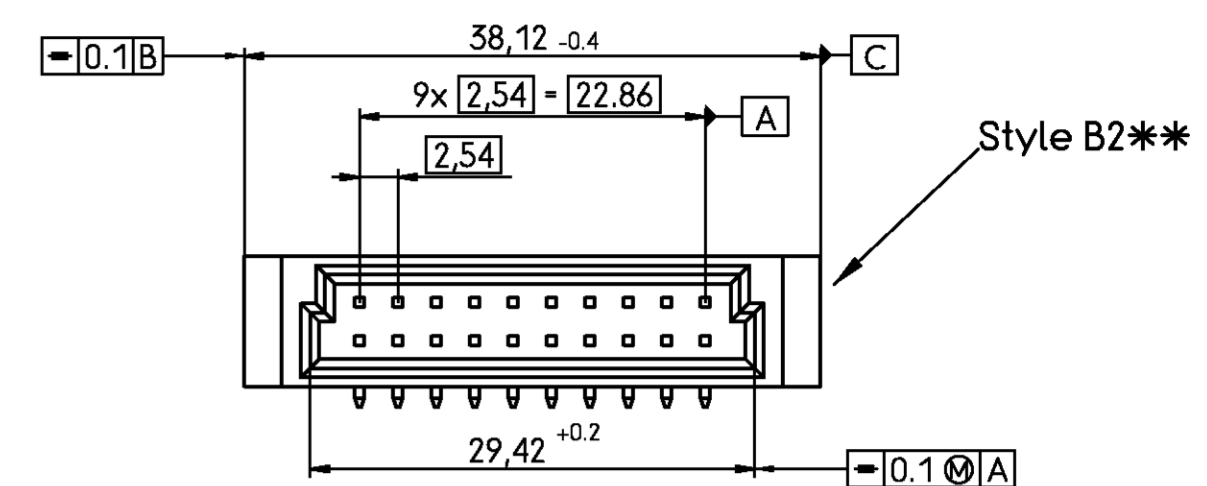
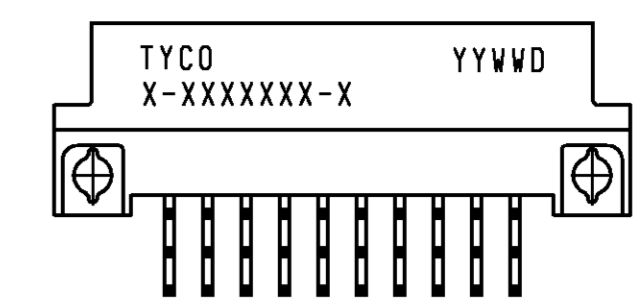


Housing material: PBTP 30% glassfilled (UL94V-0)  
pebble grey (similar RAL 7032)



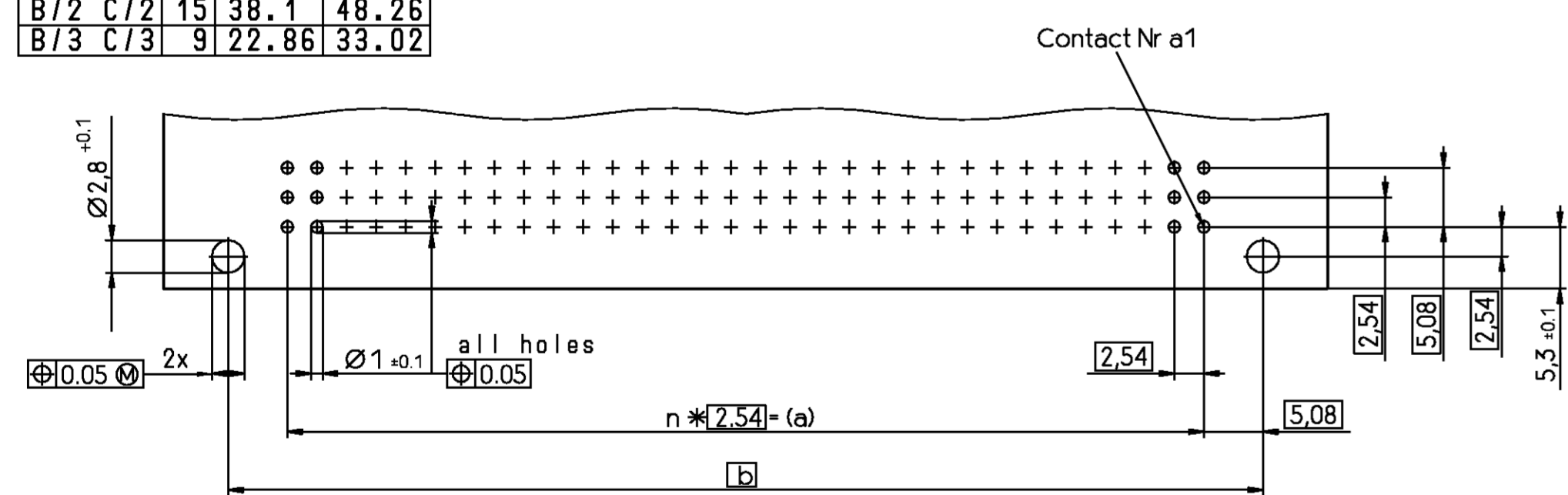
Housing material: PBTP 30% glassfilled (UL94V-0)  
pebble grey (similar RAL 7032)



Housing material: PBTP 30% glassfilled (UL94V-0)  
pebble grey (similar RAL 7032)

Bauform	n	a	b
B	C	31	78.74
B/2	C/2	15	38.1
B/3	C/3	9	22.86

**Mounting holes in PCB**



**V 4 2 2 5 4 - \* 1 \* \* \* - + \* \* \***

B : Standard version  
F : Version with flux tight coating

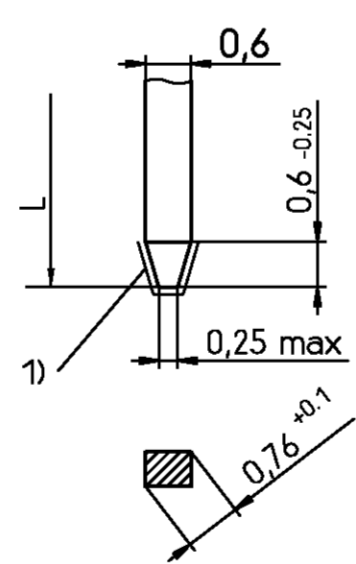
code for performance level  
code for termination style

Style, no of contacts  
and contact assignment  
see page 2

THIS INFORMATION IS CONFIDENTIAL AND PROPRIETARY TO TYCO ELECTRONICS CORPORATION AND ITS WORLDWIDE SUBSIDIARIES AND AFFILIATES. IT MAY NOT BE DISCLOSED TO ANYONE, OTHER THAN TYCO ELECTRONICS CORPORATION, WITHOUT WRITTEN AUTHORIZATION FROM TYCO ELECTRONICS CORPORATION, HARRISBURG, PENNSYLVANIA USA.

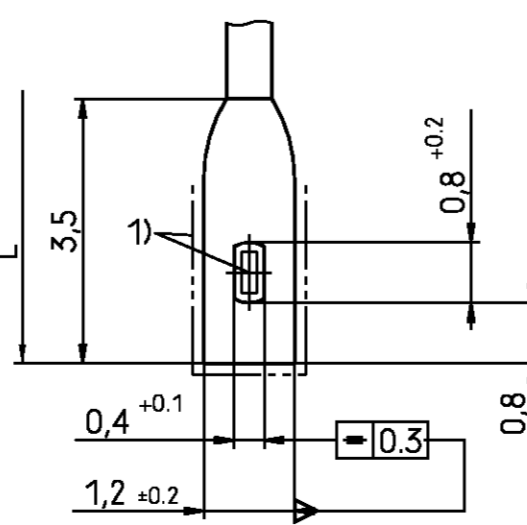
**Termination Style**

**Soldering/Wire-Wrap pins**



1) Cutting, edges not plated  
Terminations with galvanic Sn plating

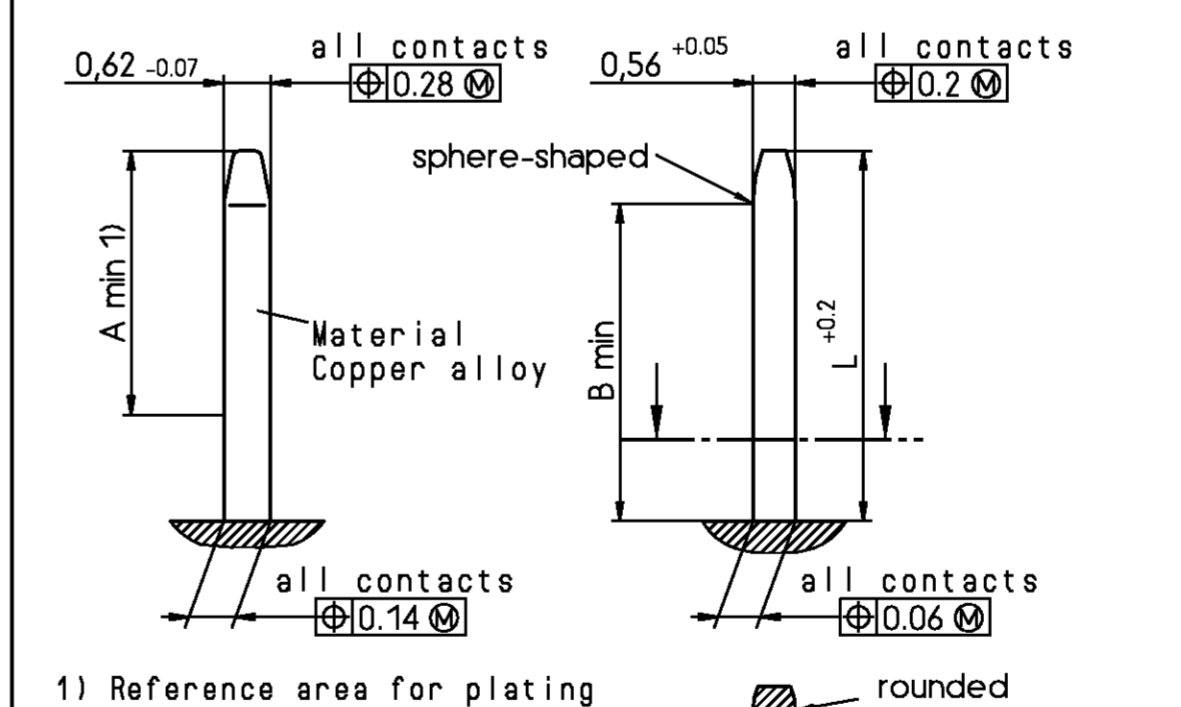
**Soldering lug**



	L	Code
Soldering/Wire-Wrap pins	3 -0.4	00
	2.9±0.3	01
	4.5±0.3	02
	13 +0.5	40
	11 +0.5	41
17 +0.5	42	
Soldering lugs	5.5±0.3 10 -0.5	35

V42254-B1\*\*\*-C\*\*\*

**Contact: Dimensions, plating, material, pre-mating**



1) Reference area for plating

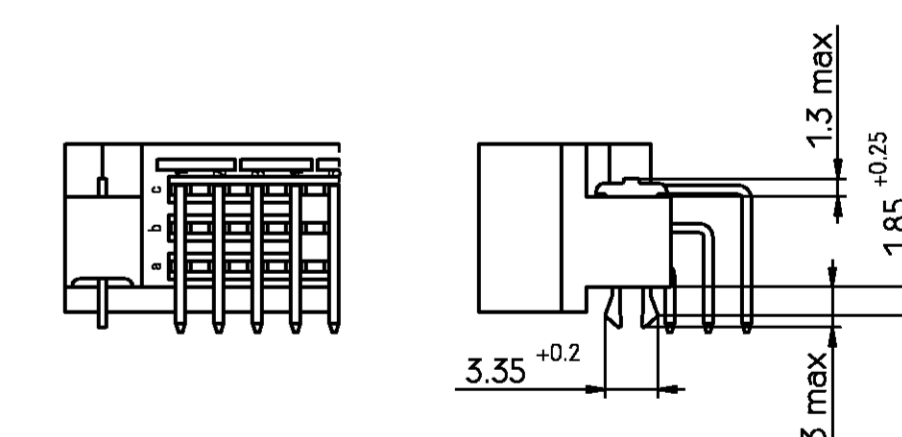
	L	A	B
normal contacts	4.8	3.5	4.2
pre-mating contacts	5.8	4.5	5.2

V42254-B1\*\*\*-C\*\*\*

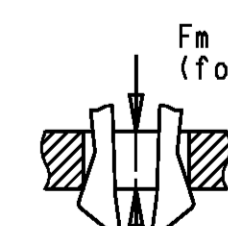
Performance level acc to DIN41612 and IEC603-2	Noble metals	Code
Class I	PdNi + Au or Au	1
	Au	4
Class II	PdNi + Au or Au	2
	Au	5
Class III	PdNi + Au or Au	3

Nickel underlayer  
Protection film: HF-grease

**Male connector with board locks**

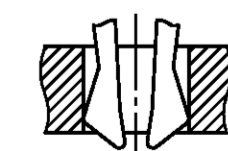


Mounted in PC-boards of 1.5 to 1.8 mm  
F<sub>m</sub> < 60 N  
F<sub>r</sub> > 20 N  
F<sub>r</sub> > 200 N, wenn soldered-in



F<sub>m</sub> = Mounting force (for 1 connector = 2 Clips)  
F<sub>r</sub> = Retention force (for 1 connector = 2 Clips)

Mounted in PC-boards over 1.8 mm  
F<sub>m</sub> < 60 N  
F<sub>r</sub> > 16 N



<b>STE</b> TE Connectivity		SCALE	WEIGHT
TE Connectivity		MATERIAL	
DATE: 10.02.89	NAME: Cuvelier	PART NAME: Pin Assembly Eurocard	
DEP: PD COM		Types B, C and short versions	
TOLERANCE UNLESS SPECIFIED OTHERWISE		PART NO. V42254-B1***-C***-7626	SHT. 1+
ECO-17-002173	10MAR2017	APP. Customer Drawing Nr. C 1392009-B	OF 2



## X-ON Electronics

Largest Supplier of Electrical and Electronic Components

*Click to view similar products for [DIN 41612 Connectors](#) category:*

*Click to view products by [TE Connectivity](#) manufacturer:*

Other Similar products are found below :

[004.767](#) [608489050008049](#) [691327-1](#) [74670-0732](#) [74680-0340](#) [75880-0015](#) [76453-0014](#) [86093159ALF](#) [9732967801](#) [QLC260R](#)  
[120X10019X](#) [120X10089X](#) [122A10249X](#) [122A11089X](#) [122A13089X](#) [122A10089X](#) [122A10129X](#) [122A10349X](#) [122A13359X](#) [1377391-4](#)  
[DIN-048CPC-SR1-MH](#) [1393583-2](#) [1393726-7](#) [140X10129X](#) [143-1913-000](#) [143-1908-000](#) [1484472-1](#) [2110070-1](#) [2110070-2](#) [CBC20T00-](#)  
[008FDS5-0-1-002VR](#) [172699-5036](#) [2-1393557-4](#) [2-1437084-2](#) [394506](#) [419-2080-402](#) [V42254B2202C968](#) [419-2086-201](#) [419-2087-002](#)  
[448657-1](#) [448847-3](#) [5-1393755-9](#) [02990000004](#) [054302](#) [043556](#) [09062483201750](#) [0850033067](#) [09031646555](#) [09061486901840](#)  
[09185107324800](#) [102A10019X](#)