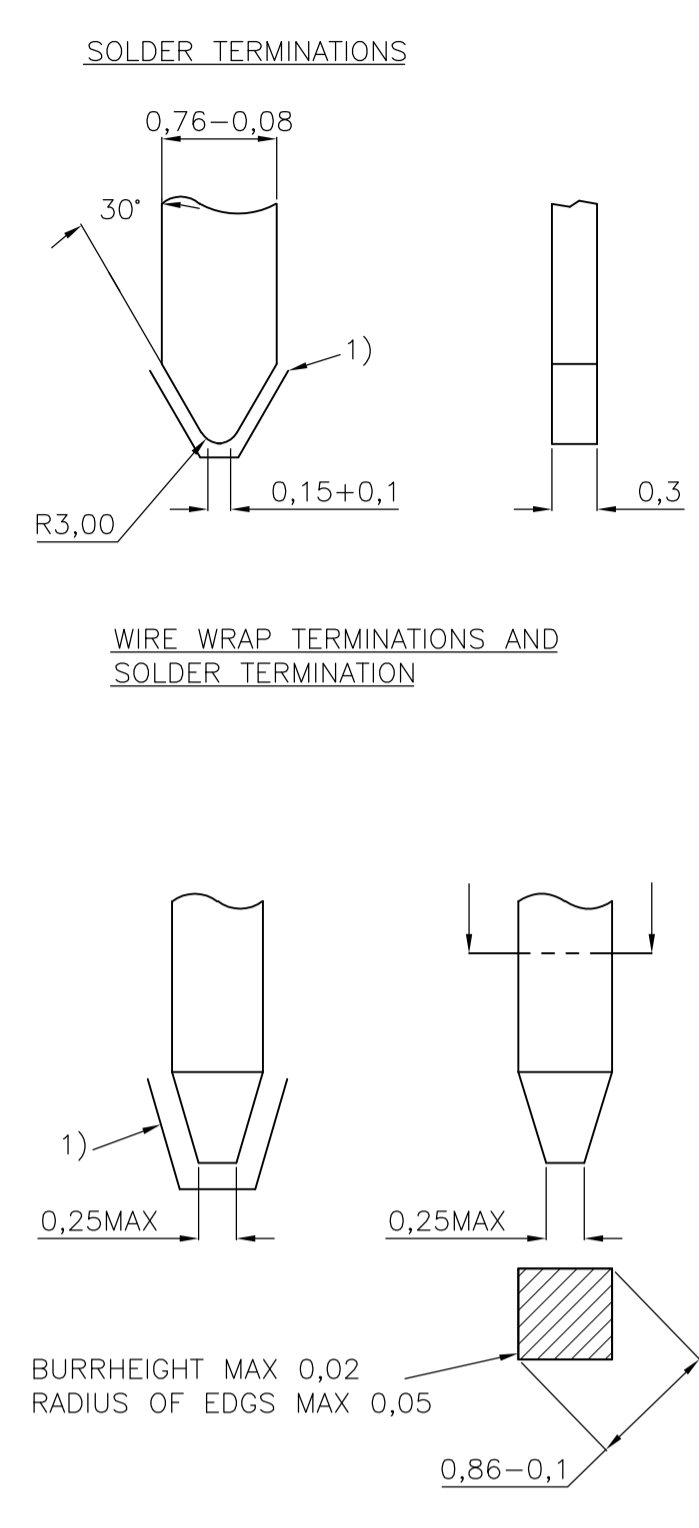
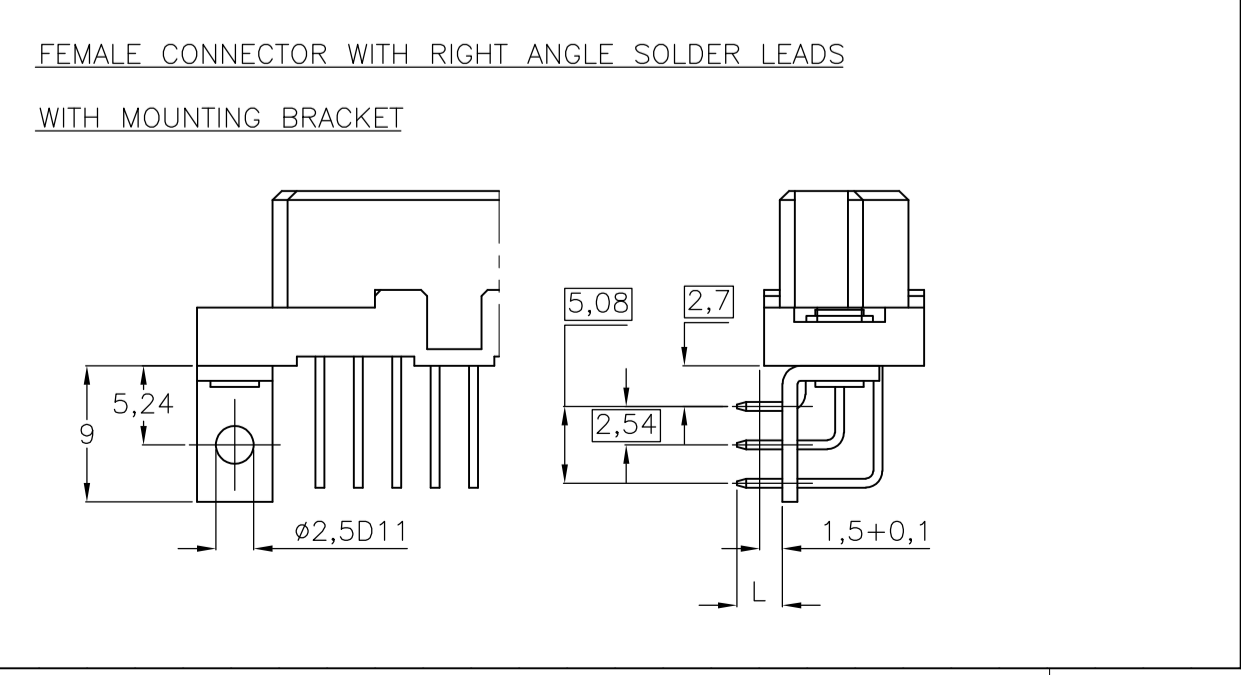
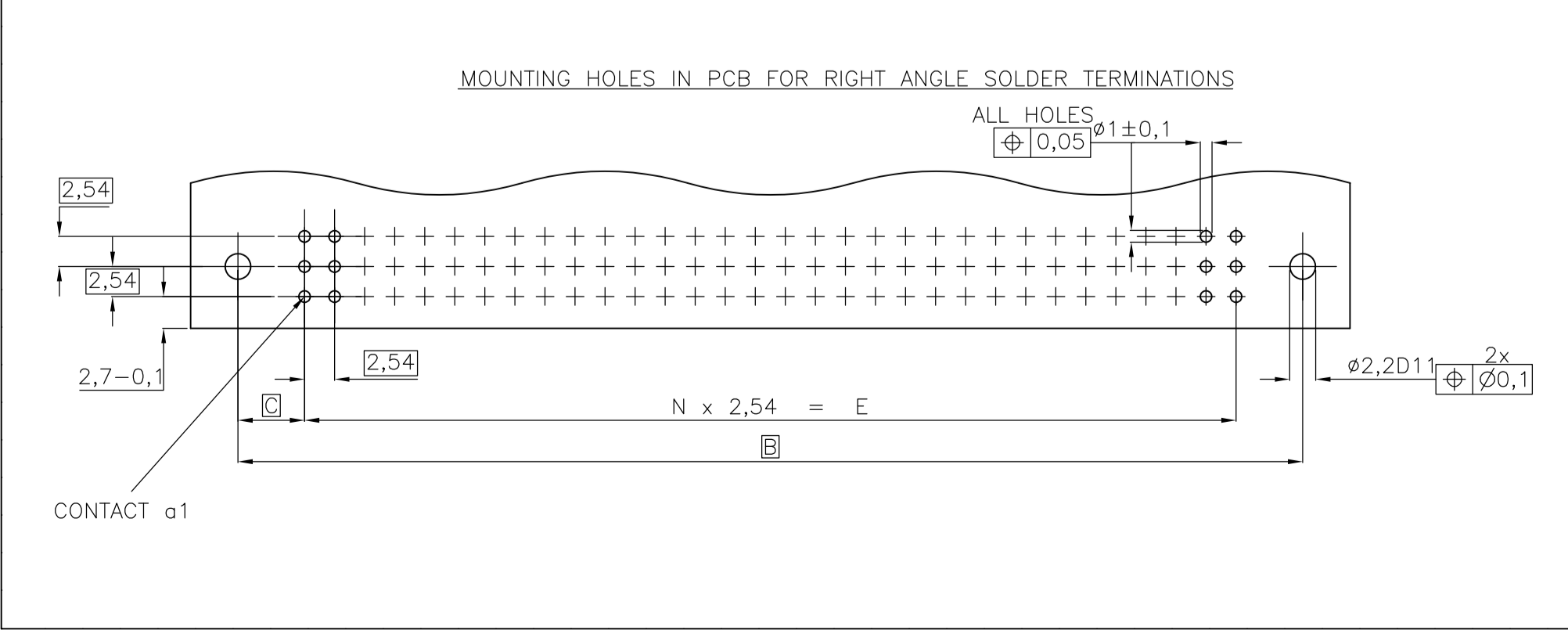
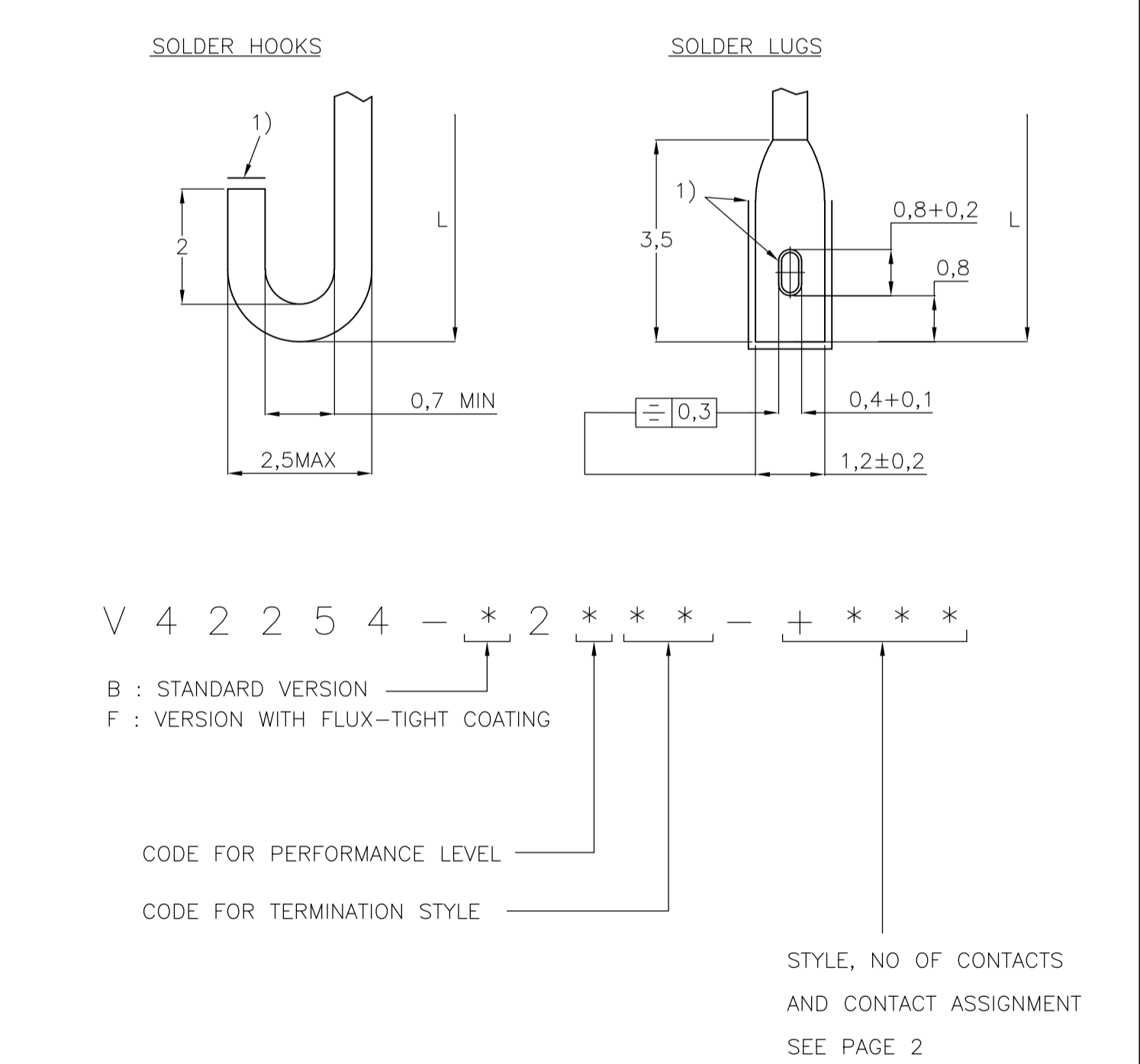
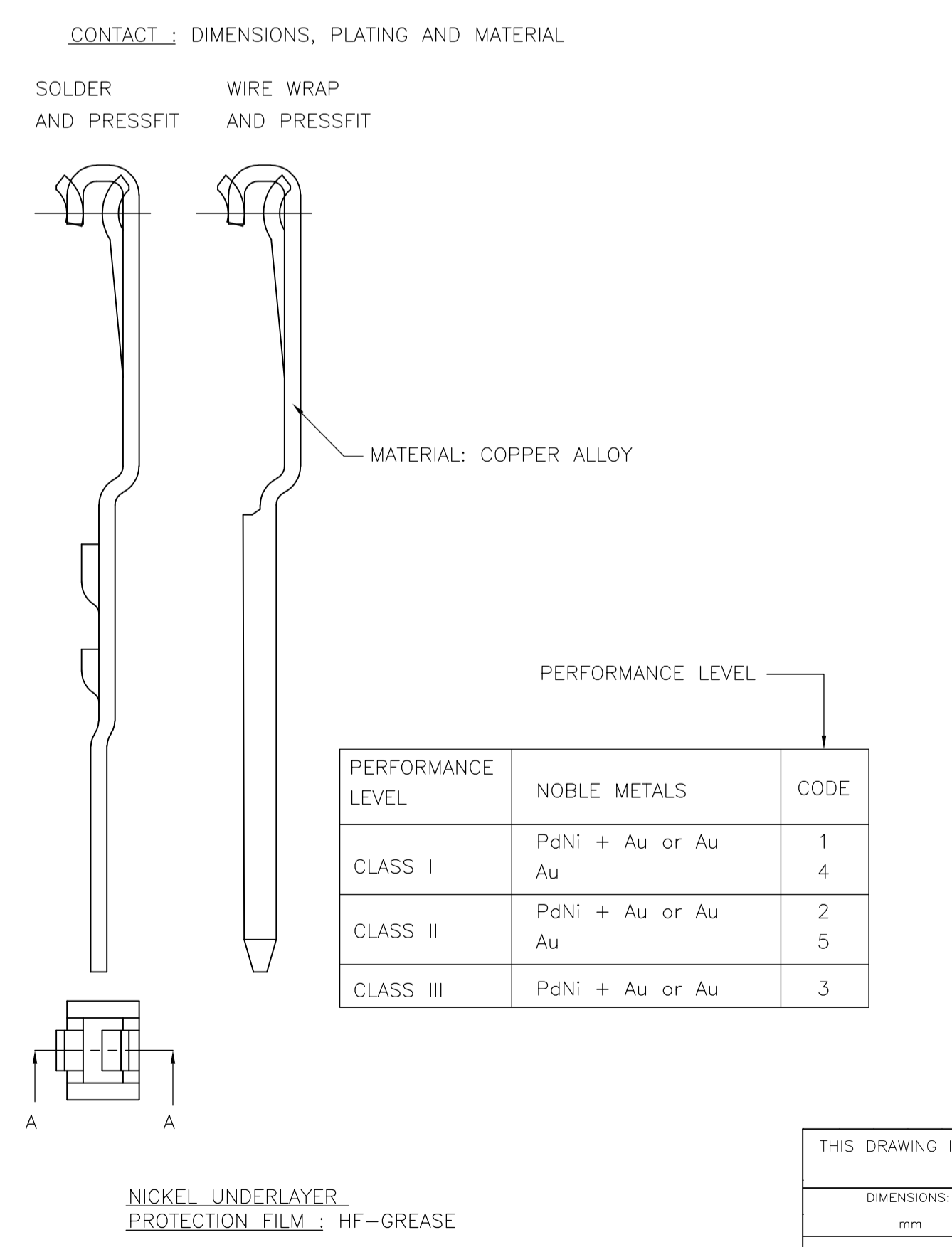
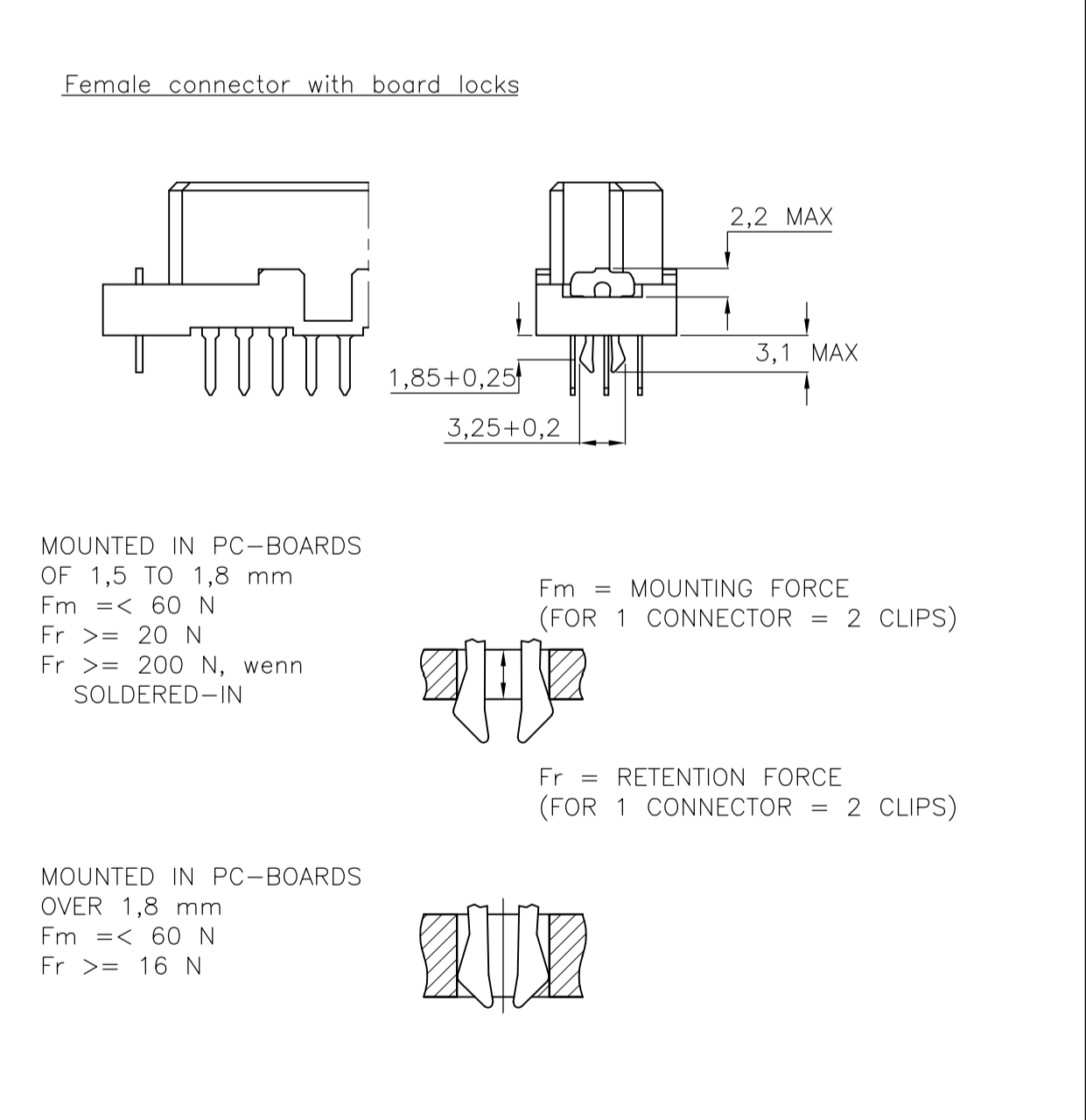
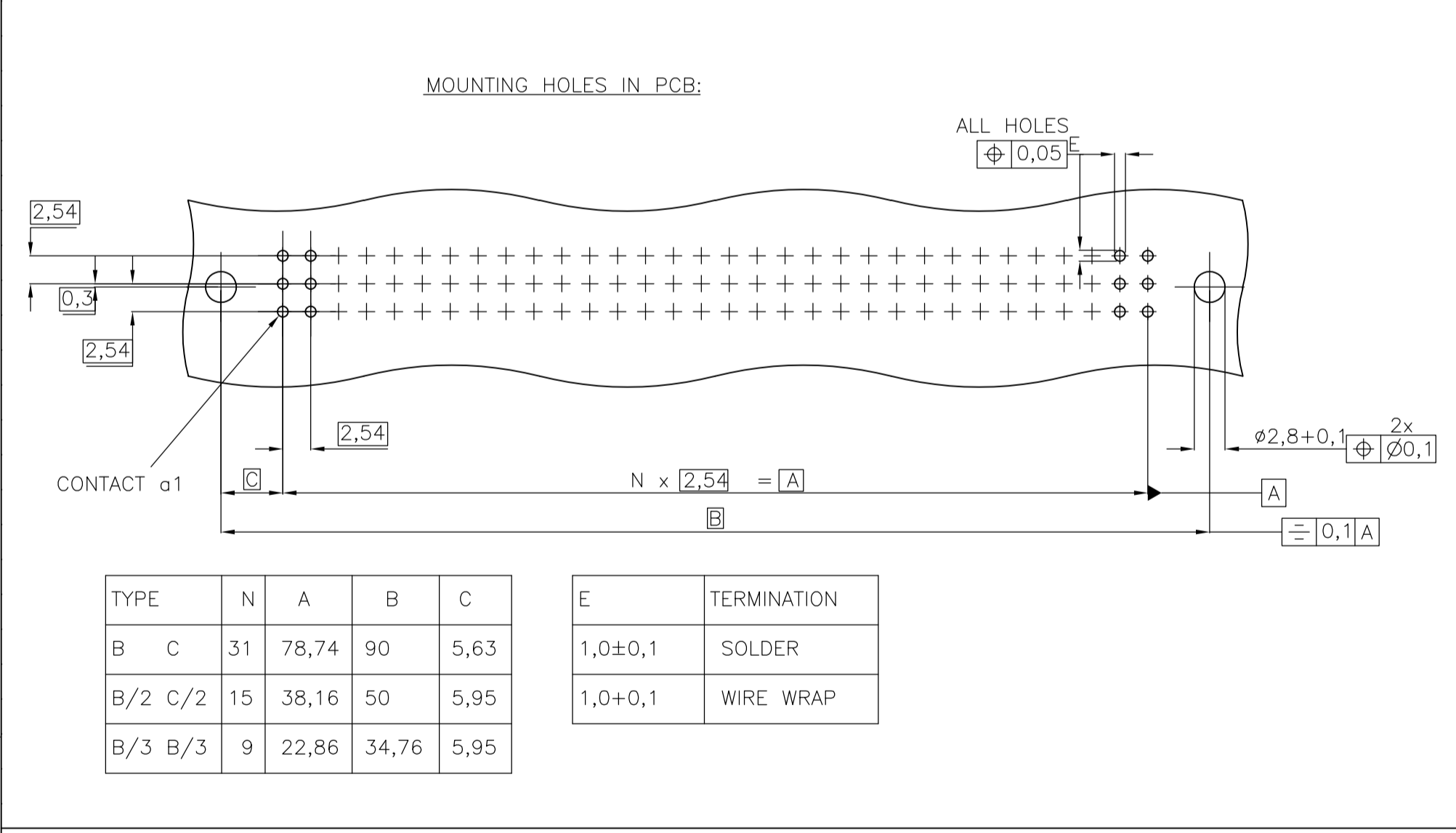


REVISONS		DATE	DN	APVD
P	LTR	DESCRIPTION		
B11	REV PER ECO-12-006572		14JAN2013	BC RP



TERMINATION STYLES		L	CODE
SOLDER	SOLDER	2,9±0,3	01
		3,7±0,3	05
		4,5±0,3	02
SOLDER	WIRE WRAP	6±0,3	03
		7,3±0,3	04
		13±0,5	40
SOLDER	HOOKS	5,5±0,3	30
		10±0,5	
SOLDER	LUGS	5,5±0,3	35
		10±0,5	
SOLDER	RIGHT ANGLE	1,55±0,4	00
		3±0,4	10
SOLDER	WITH MOUNTING BRACKET	13±0,5	60
		17±0,5	61
		4±0,5	63
		13±0,5	66
		17±0,5	67
		6±0,5	69
		6±0,5	70



THIS DRAWING IS A CONTROLLED DOCUMENT.		DIN CUVIELIER 14FEB89	TE Connectivity
DIMENSIONS: mm	TOLERANCES UNLESS OTHERWISE SPECIFIED:	APVD	NAME
	0 PLC ±	PRODUCT SPEC	RECEPTACLE ASSEMBLY EUROCARD TYPES B,C AND SHORT VERSIONS (PN:V42254-B2***-C***-7626)
	1 PLC ±		
	2 PLC ±		
	3 PLC ±		
4 PLC ±	±	APPLICATION SPEC	SIZE
MATERIAL	FINISH	WEIGHT	CAGE CODE DRAWING NO
CUSTOMER DRAWING		SCALE NTS	SHEET 1 of 2

LOC AD DIST 00 REVISIONS: F LTR DESCRIPTION DATE DWN APVO

Table with columns: PRODUCT DESCRIPTION CODE, TE PN, STYLE & NUMBER OF POSITIONS, TERMINATION POSTS, LOADED ROWS, PERFORMANCE LEVEL, BOARD LOCKS

Main table listing product specifications with columns: PRODUCT DESCRIPTION CODE, TE PN, STYLE & NUMBER OF POSITIONS, TERMINATION POSTS, LOADED ROWS, PERFORMANCE LEVEL, BOARD LOCKS, and various status notes like SUPERSEDED BY.

3) ACCORDING TO BT 236 LEVEL 2. 2) CONNECTORS HAVE A FLUX-TIGHT COATING. 1) NO COMPANY NAME MARKED ON THE CONNECTOR.

ACTIVE PART NUMBERS. CONTACT TE FOR OTHER CONFIGURATION AVAILABILITY

Technical drawing header including dimensions, tolerances, material, and customer drawing information. Includes ST logo and TE Connectivity text.

X-ON Electronics

Largest Supplier of Electrical and Electronic Components

Click to view similar products for [FFC & FPC Connectors](#) category:

Click to view products by [TE Connectivity](#) manufacturer:

Other Similar products are found below :

[HFW11R-1STE1H1LF](#) [FH29B-100S-0.2SHW\(99\)](#) [FA5S008HP1](#) [FH29B-120S-0.2SHW\(99\)](#) [FH29B-80S-0.2SHW\(99\)](#) [FHS-16](#) [FPH-2022G](#)
[52610-1075](#) [52610-1275](#) [52610-1934](#) [XF3M\(1\)-1415-1B-R100](#) [501864-3091-TR225](#) [0525594033](#) [086210010340800](#) [086222026001800](#)
[52271-2869-CUT-TAPE](#) [62674-201121DLF](#) [62684-36210E9ALF](#) [52610-1675](#) [52746-1671-TR250](#) [10051922-2810EHLF](#) [6-520415-9](#)
[BD021-09A-A1-0350-0200-0550-LD](#) [SFV6R-1STE9HLF](#) [XF3M-2915-1B-R100](#) [1658549-1](#) [62674-221121ALF](#) [46214008010800](#)
[046298003000883](#) [151660622](#) [842-816-2630-035](#) [AYF530665TA](#) [AYF351525](#) [046296011930846+](#) [AYF352325A](#) [046254020000800+](#)
[FH19C-13S-0.5SH\(99\)](#) [FH39J-51S-0.3SHW\(99\)](#) [AYF355125A](#) [AYF530365TA](#) [FH29B-44S-0.2SHW\(99\)](#) [SFW5R-2STAE9LF](#) [AYF351125A](#)
[AYF350725A](#) [62684-502100AHLF](#) [FH39-61S-0.3SHW\(99\)](#) [AYF414035A](#) [10064555-172520HLF](#) [AYF212335A](#) [504754-2500](#)