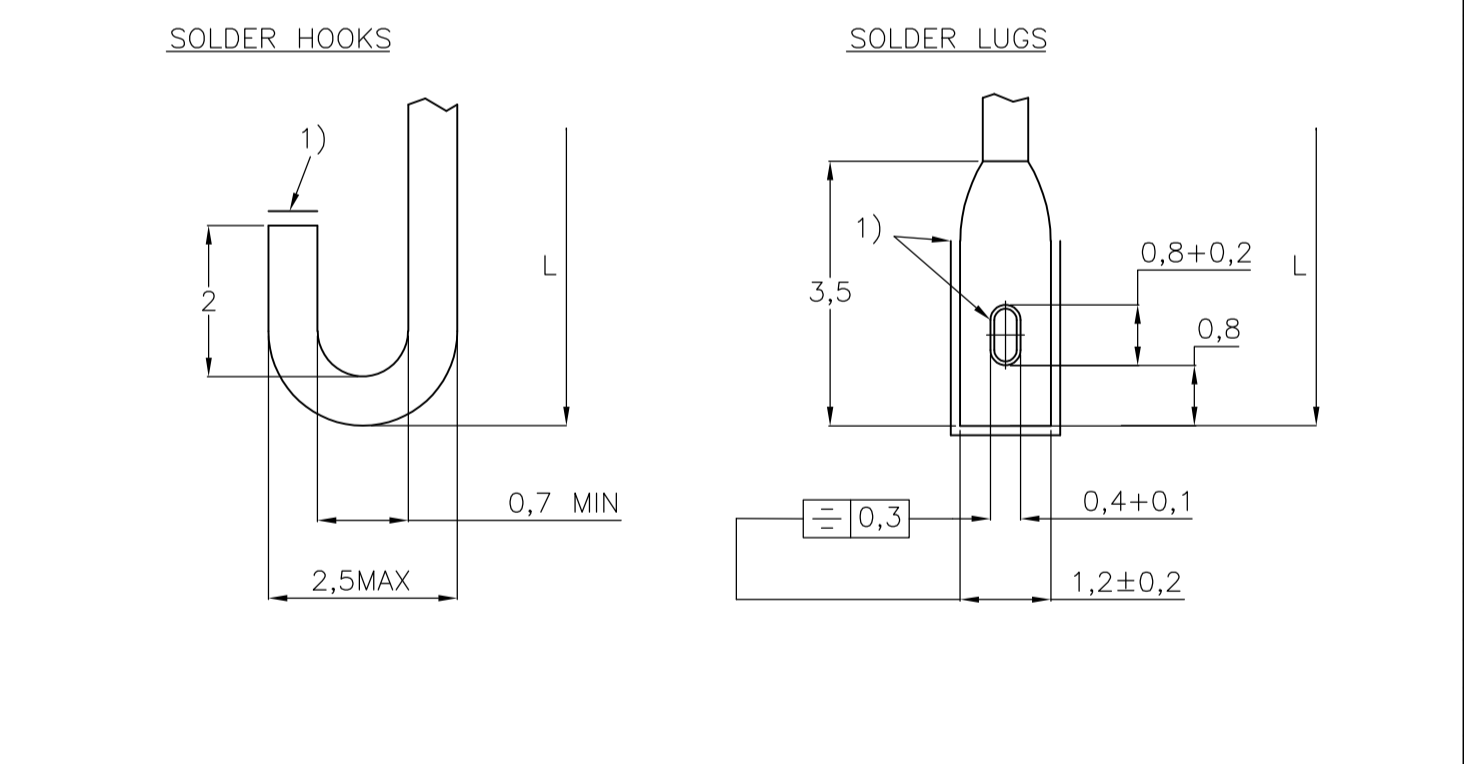
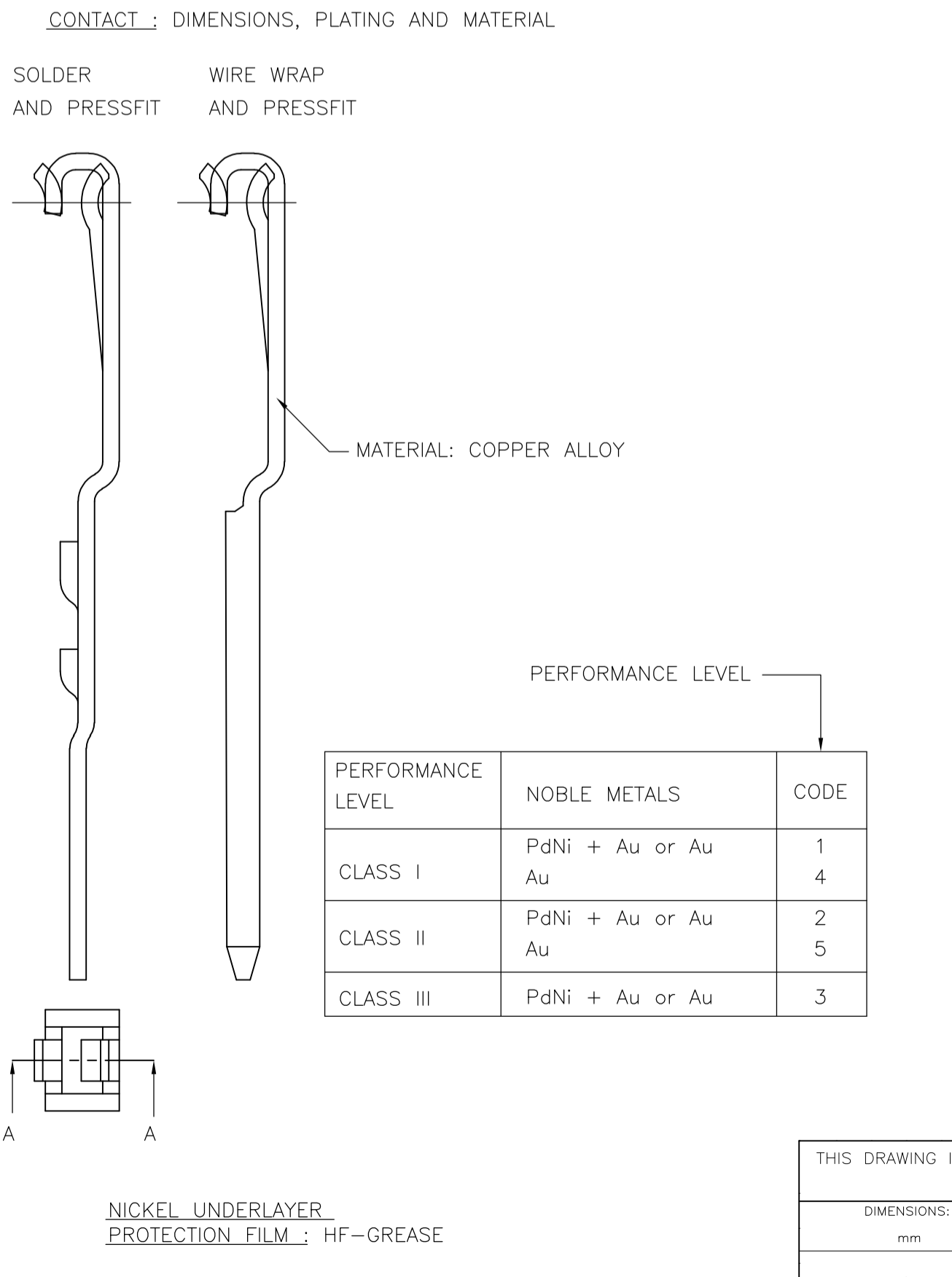
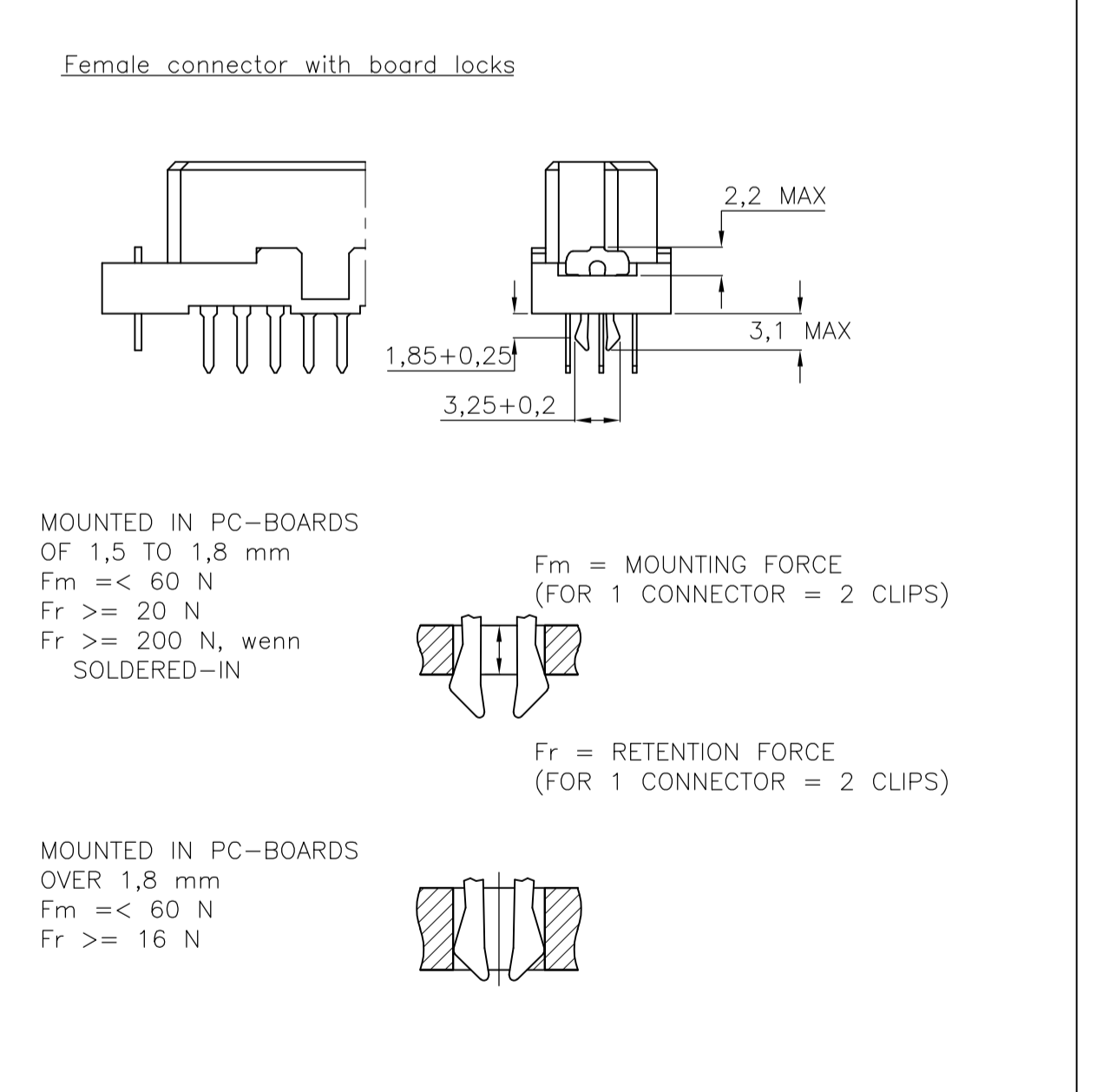
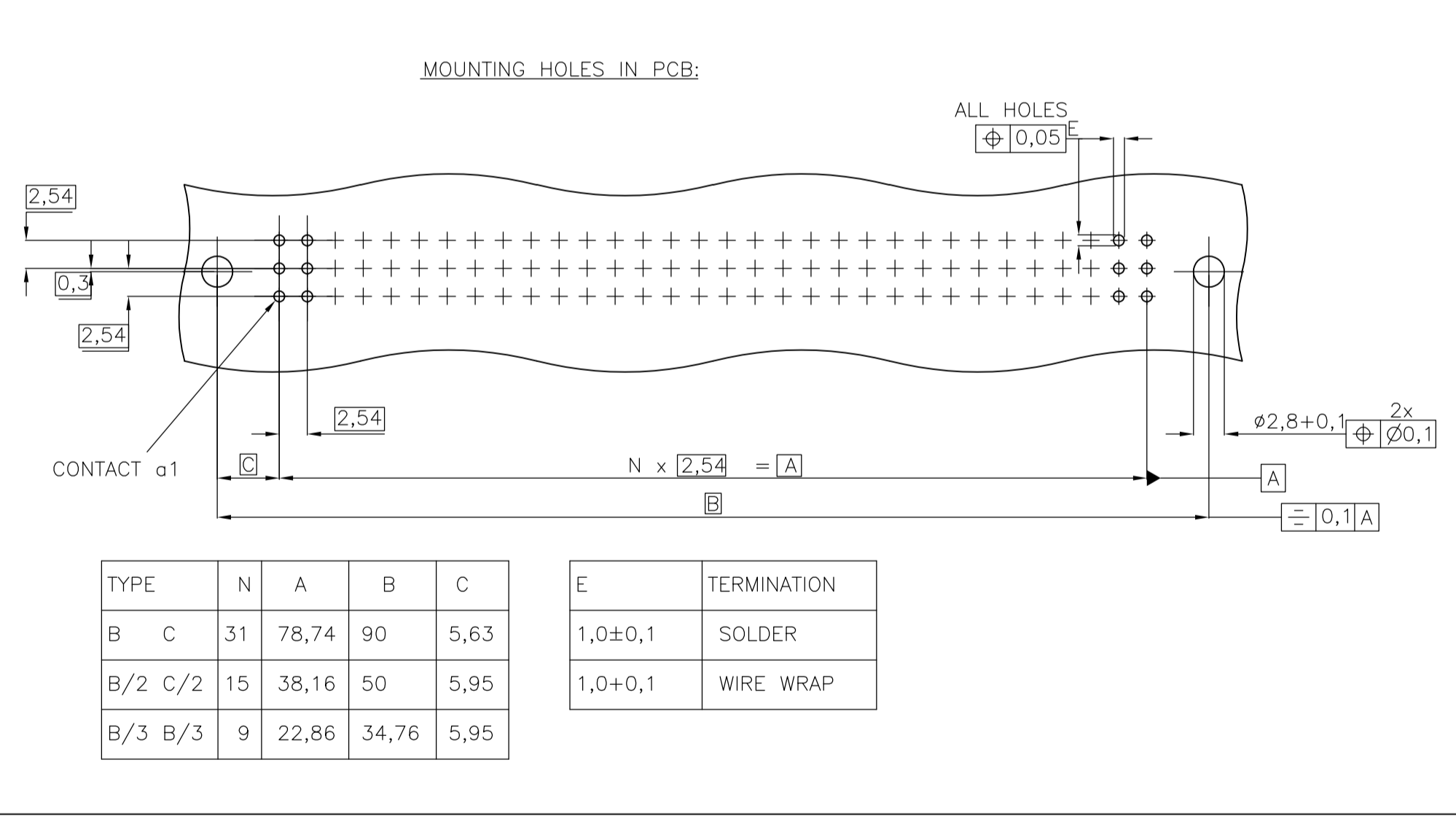


TERMINATION STYLE	TERMINATION	L	CODE
SOLDER	SOLDER	2,9±0,3	01
		3,7±0,3	05
		4,5±0,3	02
		6±0,3	03
SOLDER	SOLDER	7,3±0,3	04
		13±0,5	40
SOLDER	WIRE WRAP	5,5±0,3	30
		10±0,5	
SOLDER	SOLDER	5,5±0,3	35
		10±0,5	
SOLDER	SOLDER	1,55±0,4	00
		3±0,4	10
SOLDER	SOLDER	13±0,5	60
		17±0,5	61
		4±0,5	63
		13±0,5	66
		17±0,5	67
		6±0,5	69
		6±0,5	70

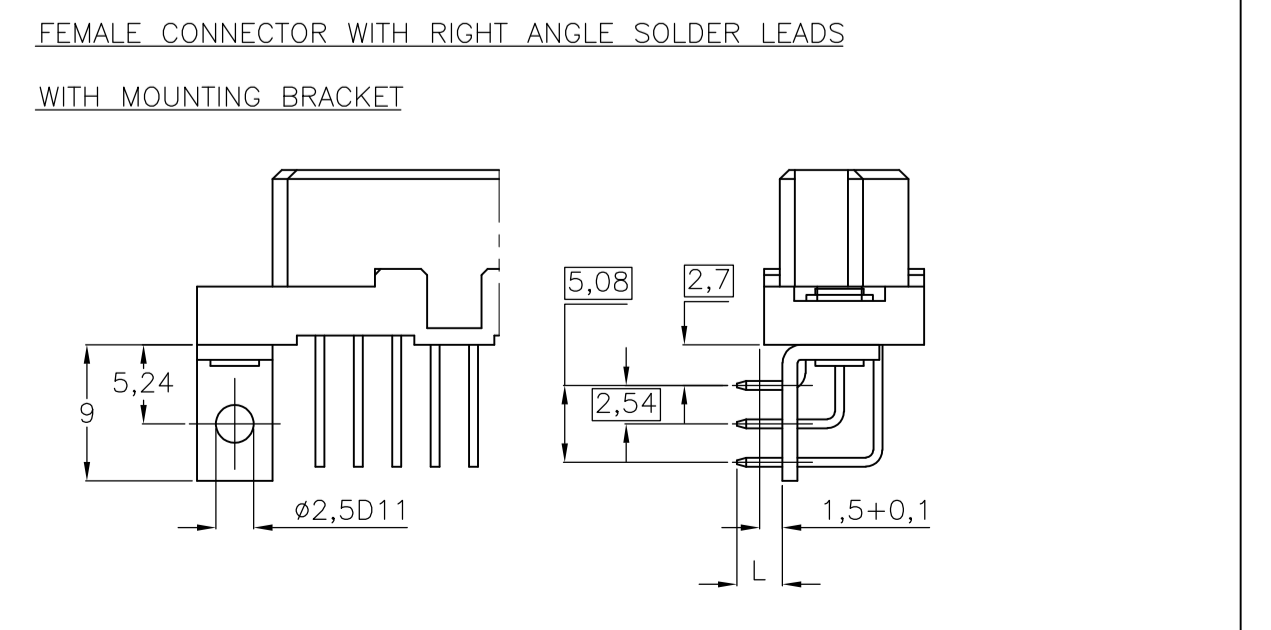
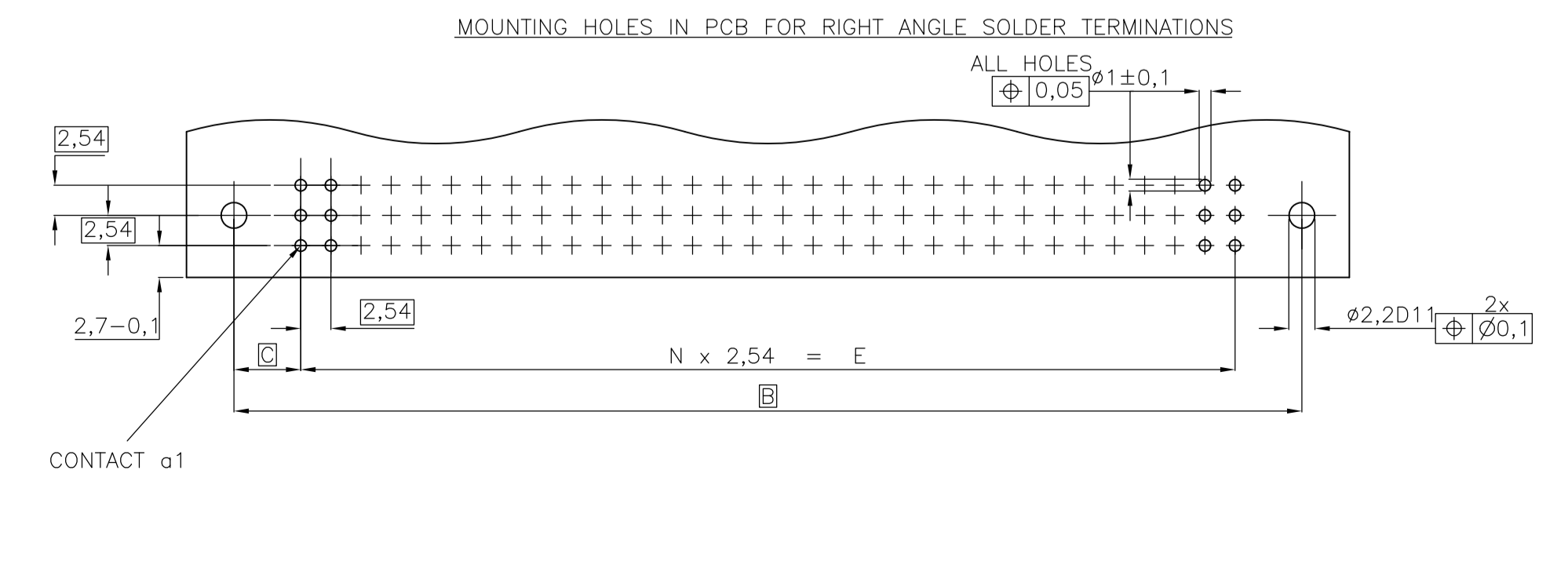


V 4 2 2 5 4 - * 2 * * * - + * * *

B : STANDARD VERSION
F : VERSION WITH FLUX-TIGHT COATING

CODE FOR PERFORMANCE LEVEL

CODE FOR TERMINATION STYLE



THIS DRAWING IS A CONTROLLED DOCUMENT.

DIN CUVELIER 14FEB99

STE TE Connectivity

RECEPTACLE ASSEMBLY EUROCARD TYPES B,C AND SHORT VERSIONS (PN:V42254-B2***-C***--7626)

SIZE: A1 CAGE CODE: 00779 DRAWING NO: 1393640-1

CUSTOMER DRAWING SCALE: NTS SHEET: 1 of 2 REV: B11

Table with columns: P, LTR, DESCRIPTION, DATE, DWN, APVO. Row 1: SEE SHEET 1, -, -, -

Main table with columns: PRODUCT DESCRIPTION CODE, TE PN, STYLE & NUMBER OF POSITIONS, TERMINATION POSTS, LOADED ROWS, PERFORMANCE LEVEL, BOARD LOCKS. Contains multiple rows of connector specifications.

Technical drawing footer containing dimensions, material, finish, weight, and customer drawing information. Includes a drawing of a connector and a table with fields like DIMENSIONS, MATERIAL, FINISH, WEIGHT, and CUSTOMER DRAWING.

X-ON Electronics

Largest Supplier of Electrical and Electronic Components

Click to view similar products for [FFC & FPC Connectors](#) category:

Click to view products by [TE Connectivity](#) manufacturer:

Other Similar products are found below :

[HFW11R-1STE1H1LF](#) [FH29B-100S-0.2SHW\(99\)](#) [FA5S008HP1](#) [FH29B-120S-0.2SHW\(99\)](#) [FH29B-80S-0.2SHW\(99\)](#) [FHS-16](#) [FPH-2022G](#)
[52610-1075](#) [52610-1275](#) [52610-1934](#) [XF3M\(1\)-1415-1B-R100](#) [501864-3091-TR225](#) [0525594033](#) [086210010340800](#) [086222026001800](#)
[52271-2869-CUT-TAPE](#) [62674-201121DLF](#) [62684-36210E9ALF](#) [52610-1675](#) [52746-1671-TR250](#) [10051922-2810EHLF](#) [6-520415-9](#)
[BD021-09A-A1-0350-0200-0550-LD](#) [SFV6R-1STE9HLF](#) [XF3M-2915-1B-R100](#) [1658549-1](#) [62674-221121ALF](#) [46214008010800](#)
[046298003000883](#) [151660622](#) [842-816-2630-035](#) [AYF530665TA](#) [AYF351525](#) [046296011930846+](#) [AYF352325A](#) [046254020000800+](#)
[FH19C-13S-0.5SH\(99\)](#) [FH39J-51S-0.3SHW\(99\)](#) [AYF355125A](#) [AYF530365TA](#) [FH29B-44S-0.2SHW\(99\)](#) [SFW5R-2STAE9LF](#) [AYF351125A](#)
[AYF350725A](#) [62684-502100AHLF](#) [FH39-61S-0.3SHW\(99\)](#) [AYF414035A](#) [10064555-172520HLF](#) [AYF212335A](#) [504754-2500](#)