

**Connectors for Micro ISO Relays (Production North America only)**

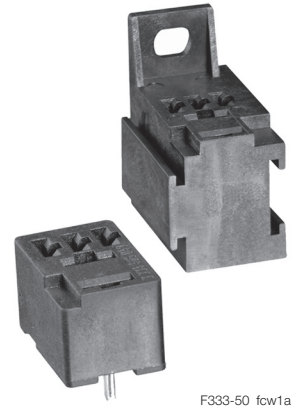
**Connectors in 2 different versions**

■ **PCB Socket**

With the solderable connector Micro ISO relays with plug-in terminals can be mounted on leadframes. This allows easy and reasonable replacement in case of service.

■ **Connector with mounting flap**

5 pole connector that can be mounted individually or interlocked. The connector has a snap-in pin to lock in frame. The mounting bracket also allows screw-on.



F333-50\_fw1a

**Technical Data**

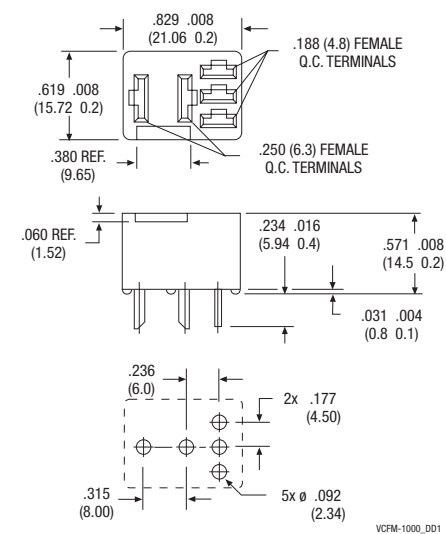
Weight	
PCB socket	approx. 5,52g (0.19oz)
Connector with mounting flap	approx. 8,02g (0.28oz)
Storage conditions according to IEC600688 <sup>1)</sup>	
Packaging/unit	
PCB socket (VCFM-1000)	450 pcs.
Connector with mounting flap (VCFM-1002)	700 pcs.

1) For general storage and processing recommendations please refer to the Application Notes and especially to storage in our Definitions at <http://relays.te.com/definitions>.

**Dimensions**

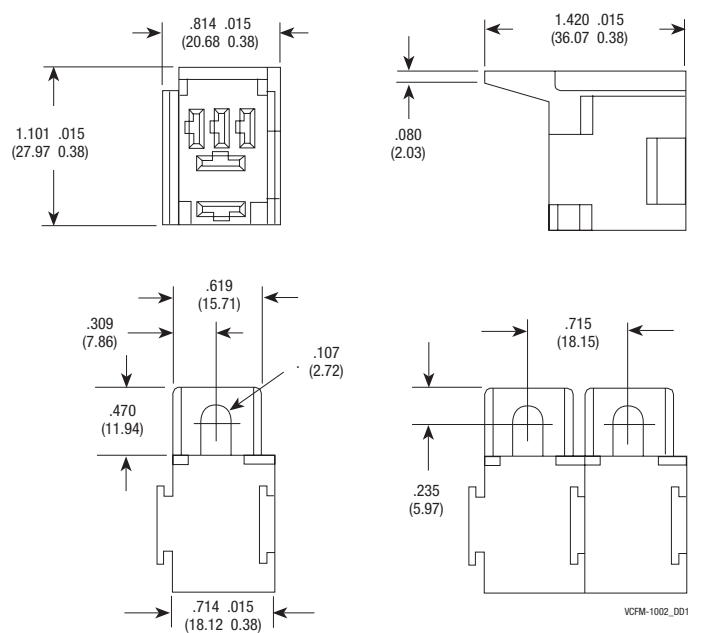
**PCB socket VCFM-1000**

Mounting recommendation: to keep insertion force away from the PCB the soldering of the socket to the PCB should be done with already inserted relay.



**Connector VCFM-1002**

Terminals to be ordered separately.



**Connectors for Micro ISO Relays (Production North America only)**

Part numbers for connectors and crimp terminals								
Part numbers for connectors		Wire mm <sup>2</sup>	Quantity required		Use in cavities		Part numbers for crimp terminals	
Product code	Part number		Form A	Form C	Form A	Form C	Crimp terminals	TE part numbers
VCFM-1000	1393310-2	-	-	-	-	-	-	-
VCFM-1002	3-1393310-8	1.3 - 3.3 0.8 - 2.1	2	2	3 and 5	3 and 5	AMP60249-1 AMP42281-1	60249-1 42281-1
		0.5 - 1.6 1.3 - 2.1	2	3	1 and 2	1,2 and 4	26A1492A 26A1492B	2-1393310-5 2-1393310-6

1) Crimp terminals to be ordered separately.

2) Mentioned crimp terminals are delivered in strip-form, loose pieces and hand tool available on request.

## X-ON Electronics

Largest Supplier of Electrical and Electronic Components

*Click to view similar products for [Relay Sockets & Fixings](#) category:*

*Click to view products by [TE Connectivity](#) manufacturer:*

Other Similar products are found below :

[00008258500](#) [00111976502](#) [0000-825-81-00](#) [60SY4S05](#) [M41G](#) [670-0125](#) [670-0127](#) [6700152](#) [670-0153](#) [6700156](#) [D258-2TS00](#) [70-309](#) [7-1393143-3](#) [7-1616360-5](#) [8000-DG2-5](#) [911361](#) [9-1616339-5](#) [PJF11N](#) [GDA12HA](#) [GDA12HD](#) [GDA12SA](#) [GDA12SD](#) [GDA16HD](#) [GDA22HA](#) [GDA95A](#) [GDA95D](#) [GFX20](#) [PT08QN](#) [PT 1/8 D = 3.2](#) [GUA1](#) [GUA2-11](#) [GUA4-04](#) [GUA4-31](#) [GUM5R](#) [GUR-120](#) [GUR-24](#) [GUR-240](#) [GUR-277](#) [GURX-277](#) [GUW12](#) [GUW95](#) [GUZ63L](#) [R99-11 FOR MY\(NAMEPLATE\)](#) [D52PR2T](#) [RES100K](#) [1310H-HDC](#) [1390H-1ST](#) [1393824-3](#) [1390H-2PC](#) [1410-2SM](#)