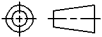
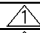



DRAWN S. ESTES	APPROVAL B. TOEPFER	DATE FIRST DRAWN 10-18-94	SCALE 1=1	CUSTOMER TEC STANDARD			
TOLERANCE UNLESS SPECIFIED OTHERWISE					CHANGES		
0.X = +/- .1 [2.54]	0.XX = +/- .01 [254]	0.XXX = +/- .003 [0.25]	ANGLES = +/- 1'		REV.	DATE	CO
DO NOT SCALE THIS DRAWING					03-26-99	REDRAWN	S.E. B.T.
					03-20-01	LOGO CHANGED	L.B.

ELECTRICAL CHARACTERISTICS: (ALL DATA APPLIES @ 23°C UNLESS OTHERWISE SPECIFIED)

COIL DATA:

NOMINAL VOLTAGE: 12 VDC  
 OPERATE VOLTAGE: 7.2 VDC MAXIMUM  
 RELEASE VOLTAGE: 1.2 VDC MINIMUM  
 EQUIVALENT COIL RESISTANCE: 79.5 OHMS ±10%  
 OPERATE TIME: 8 mSEC MAXIMUM EXCLUDING BOUNCE  
 RELEASE TIME: 8 mSEC MAXIMUM EXCLUDING BOUNCE  
 TEMPERATURE RANGE: STORAGE -40°C. TO +155°C  
 OPERATE -40°C. TO +85°C  
 OPERATE -40°C. TO +125°C (APPLICATION DEPENDENT)

CONTACT DATA: (CONTACT DATA IS FORMATTED N.O./N.C.)

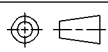
CONTACT ARRANGEMENT: 1 FORM C (SPDT)  
 CONTACT MATERIAL: AgNi 0.15 (FINE GRAIN SILVER)  
 CONTACT MILLIVOLT DROP: 200 mV @ 40A ON N.O. CONTACTS (AFTER SWITCHING)  
 250 mV @ 30A ON N.C. CONTACTS (AFTER SWITCHING)

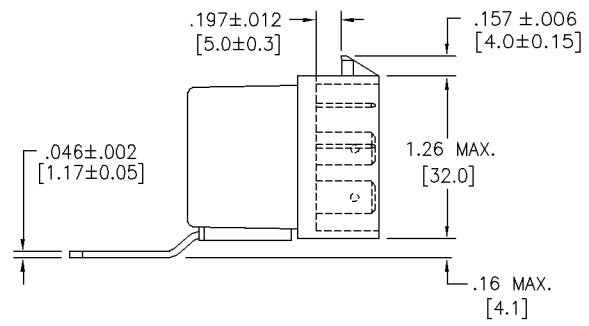
MAXIMUM MAKE CURRENT: 120A/45A (LAMP) @ 16 VDC  
 MAXIMUM BREAK CURRENT: 60A/40A @ 16 VDC RESISTIVE  
 MAXIMUM CONTINUOUS CURRENT: 60A/40A @ 23°C, 40A/30A @85°C  
 INITIAL BREAKDOWN VOLTAGE: 500V RMS CONTACTS TO COIL

EXPECTED LIFE: 100,000 OPERATIONS, 40A, 14 VDC RESISTIVE ON NORMALLY OPEN CONTACT

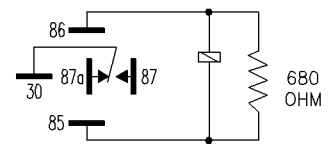
MECHANICAL CHARACTERISTICS:

EXPECTED LIFE: 10 MILLION OPERATIONS, NO CONTACT LOAD, 20 OPERATIONS PER SECOND MAXIMUM

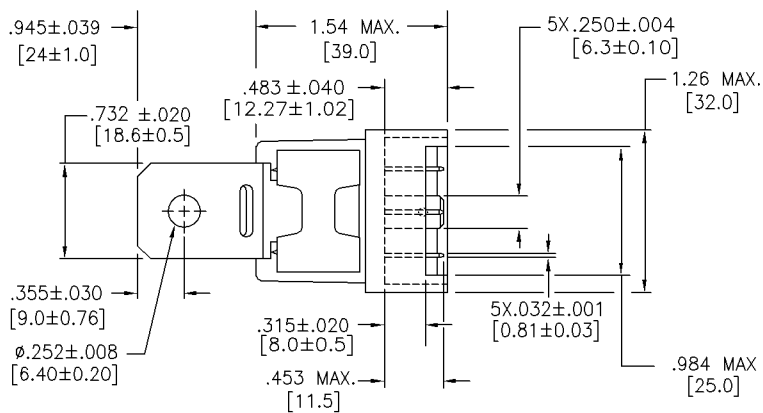
DRAWN S.ESTES	APPROVAL B. TOEPFFER	DATE FIRST DRAWN 10-18-94	SCALE 1=1	CUSTOMER TEC STANDARD	
TOLERANCE 0.X = +/- .1 [2.54] UNLESS 0.XX = +/- .01 [254] SPECIFIED 0.XXX = +/- .003 [0.25] OTHERWISE ANGLES = +/- 1'					
DO NOT SCALE THIS DRAWING					X.XXX = INCHES [XX.XX] = MILLIMETERS



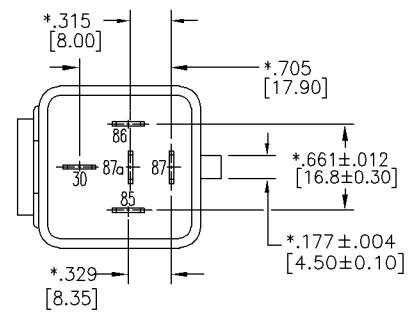
MARKING TO INCLUDE:  
MANUFACTURER'S NAME, MANUFACTURER'S PART NUMBER,  
SCHEMATIC, COIL VOLTAGE, CONTACT RATING, COUNTRY OF  
ORIGIN, AND DATE CODE



SCHEMATIC DIAGRAM



\* TERMINAL LOCATIONS  
APPLY AT THE BASE  
OF THE TERMINAL



## X-ON Electronics

Largest Supplier of Electrical and Electronic Components

*Click to view similar products for [Automotive Relays](#) category:*

*Click to view products by [TE Connectivity](#) manufacturer:*

Other Similar products are found below :

[7-1414968-8](#) [7-1617345-6](#) [9-1617516-5](#) [G5CE1ASIDC12](#) [1393204-2](#) [1393302-3](#) [13Z99A115-0074](#) [1432872-1](#) [AR4-15F11-S01](#) [AR4-15H11](#)  
[1617057-2](#) [1617058-6](#) [1617518-5](#) [2-1617057-2](#) [2-1617057-6](#) [2-1617058-3](#) [CB1F-M-12V-H15](#) [898H-1AH-D-001-12VDC](#) [AR4-11F11](#)  
[AR4-15F11](#) [AR4-41F11](#) [24198-1](#) [4-1617057-0](#) [41FZ-200ACG-BSL](#) [5-1616920-2](#) [5-1617052-9](#) [5407-0011-HS](#) [CB1AF-M-12V-H59](#) [5-](#)  
[1617346-8](#) [103-1AH-C-12VDC](#) [V23134A1052X299](#) [6-1393302-1](#) [897H-1AH-D-R1-U01-12VDC](#) [FTR-P3CP024W1-06](#) [1-1617057-8](#) [3-](#)  
[1393305-1](#) [5436-0001-HS](#) [V23086-R1851-A502](#) [V23136-A0004-X075](#) [898H-1AH-D1SW-R1-12VDC](#) [RH4C1P2607](#) [RE031005](#)  
[V23134M0052G242](#) [1393204-1](#) [23234B0001X001-EV-144](#) [AZ979-1A-24D](#) [2-1904020-1](#) [V23134B0052C642](#) [V23134B0053C642](#) [V23234-](#)  
[A1001-X036](#)