

# VFMA-15F41-S01=VFMA, RELAY ✓ ACTIVE



## Micro Relay A/VFMA

TE Part # 1393293-8

TE Internal #: VFMA-15F41-S01

[View on TE.com >](#)

Relays, Contactors & Switches > Relays > Automotive, Truck, Bus & Off-Road Relays > Plug-In Automotive Relays > Micro Relays



Rated Coil Voltage: **12 VDC**

Contact Current Class: **20 – 30 A**

Contact Arrangement: **1 Form C (CO)**

Coil Resistance: **90 Ω**

Mounting Brackets: **Without**

## Features

### Product Type Features

Relay Type	Micro Relay A/VFMA
------------	--------------------

### Electrical Characteristics

Insulation Initial Dielectric Between Open Contacts	500 Vrms
Current Rating (85°C)	30 A
Contact Limiting Short-Time Current	150 A
Insulation Initial Dielectric Between Contacts and Coil	500 Vrms
Insulation Initial Dielectric Between Coil/Contact Class	0 – 500 V
Coil Power Rating (DC)	1600 mW
Coil Power Rating Class	>1.5W
Contact Limiting Making Current	120 A
Contact Limiting Continuous Current	30 A
Coil Magnetic System	Monostable, DC
Rated Voltage	12 VDC
Contact Limiting Breaking Current	30 A
Contact Switching Load (Min)	1000mA @ 5VDC
Rated Coil Voltage	12 VDC
Coil Resistance	90 Ω

### Body Features

Weight	16 g [.565 oz]
--------	----------------



### Contact Features

Terminal Type	Plug-In, Quick Connect
Contact Base Material	Ag Alloy
Contact Current Class	20 – 30 A
Contact Arrangement	1 Form C (CO)

### Mechanical Attachment

Mounting Type	Plug-In
---------------	---------

### Dimensions

Width Class (Mechanical)	12 – 16 mm
Height	25.4 mm[1 in]
Length Class (Mechanical)	20 – 25 mm
Height Class (Mechanical)	25 – 30 mm
Width	15.5 mm[.61 in]
Length	23 mm[.906 in]

### Usage Conditions

Environmental Ambient Temperature Class	105 – 125°C
Environmental Ambient Temperature (Max)	125 °C[257 °F]
Environmental Category of Protection	RTI

### Other

Mounting Brackets	Without
-------------------	---------

### Product Compliance

[For compliance documentation, visit the product page on TE.com>](#)

EU RoHS Directive 2011/65/EU	Compliant
EU ELV Directive 2000/53/EC	Compliant
China RoHS 2 Directive MIIT Order No 32, 2016	No Restricted Materials Above Threshold
EU REACH Regulation (EC) No. 1907/2006	Current ECHA Candidate List: JAN 2019 (197) Candidate List Declared Against: DEC 2014 (161)
Halogen Content	Low Halogen - Br, Cl, F, I < 900 ppm per homogenous material. Also BFR/CFR/PVC Free
Solder Process Capability	Not applicable for solder process capability

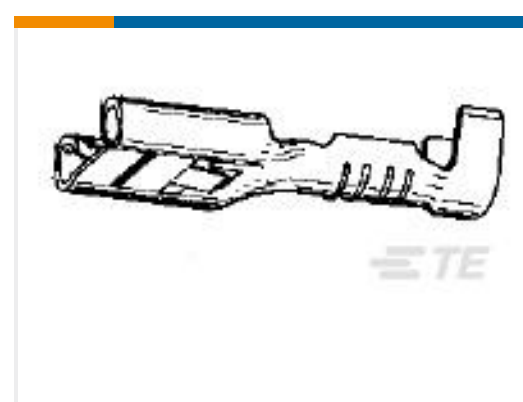
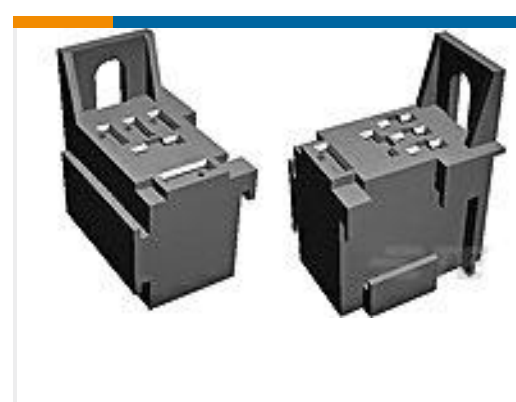
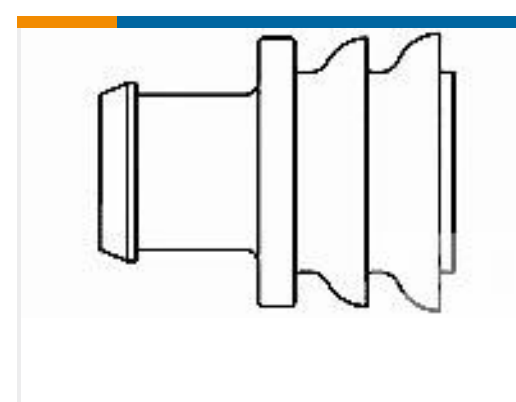
## Product Compliance Disclaimer

This information is provided based on reasonable inquiry of our suppliers and represents our current actual knowledge based on the information they provided. This information is subject to change. The part numbers that TE has identified as EU RoHS compliant have a maximum concentration of 0.1% by weight in homogenous materials for lead, hexavalent chromium, mercury, PBB, PBDE, DBP, BBP, DEHP, DIBP, and 0.01% for cadmium, or qualify for an exemption to these limits as defined in the Annexes of Directive 2011/65/EU (RoHS2). Finished electrical and electronic equipment products will be CE marked as required by Directive 2011/65/EU. Components may not be CE marked. Additionally, the part numbers that TE has identified as EU ELV compliant have a maximum concentration of 0.1% by weight in homogenous materials for lead, hexavalent chromium, and mercury, and 0.01% for cadmium, or qualify for an exemption to these limits as defined in the Annexes of Directive 2000/53/EC (ELV). Regarding the REACH Regulations, TE's information on SVHC in articles for this part number is still based on the European Chemical Agency (ECHA) 'Guidance on requirements for substances in articles' (Version: 2, April 2011), applying the 0.1% weight on weight concentration threshold at the finished product level. TE is aware of the European Court of Justice ruling of September 10th, 2015 also known as O5A (Once An Article Always An Article) stating that, in case of 'complex object', the threshold for a SVHC must be applied to both the product as a whole and simultaneously to each of the articles forming part of its composition. TE has evaluated this ruling based on the new ECHA "Guidance on requirements for substances in articles" (June 2017, version 4.0) and will be updating its statements accordingly.

Also in the Series | **Micro Relay A/VFMA**

Micro Relays(17)

## Customers Also Bought

TE Part #109854-1  
COVER WITH SEALTE Part #962835-3  
FF 374 REC 1-2.5 MM2 0.5  
X 0.27 TP CUSN4TE Part #3-1393310-8  
VCFM-1002=SOCKET,  
VCFM,5,PC,PLA-TE Part #282536-1  
S.WAY SEAL F.JPT  
CONTACT 2.5MM

## Documents

## CAD Files

## Customer View Model

[ENG\\_CVM\\_1393293-8\\_S00D.3d\\_igs.zip](#)

English

## Customer View Model

[ENG\\_CVM\\_1393293-8\\_S00D.3d\\_stp.zip](#)

English

## Customer View Model

[ENG\\_CVM\\_1393293-8\\_S00D.2d\\_dxf.zip](#)



English

[3D PDF](#)

English

---

**Datasheets & Catalog Pages**

[Automotive Relay Application Notes](#)

English

[Micro Relay A / VFMA, Micro ISO, Plug-In](#)

English

---

**Product Specifications**

[Definitions Relays](#)

English

## X-ON Electronics

Largest Supplier of Electrical and Electronic Components

*Click to view similar products for [Automotive Relays](#) category:*

*Click to view products by [TE Connectivity](#) manufacturer:*

Other Similar products are found below :

[7-1414968-8](#) [7-1617345-6](#) [9-1617516-5](#) [G5CE1ASIDC12](#) [1393204-2](#) [1393302-3](#) [13Z99A115-0074](#) [1432872-1](#) [AR4-15F11-S01](#) [AR4-15H11](#)  
[1617057-2](#) [1617058-6](#) [1617518-5](#) [2-1617057-2](#) [2-1617057-6](#) [2-1617058-3](#) [CB1F-M-12V-H15](#) [898H-1AH-D-001-12VDC](#) [AR4-11F11](#)  
[AR4-15F11](#) [AR4-41F11](#) [24198-1](#) [4-1617057-0](#) [41FZ-200ACG-BSL](#) [5-1616920-2](#) [5-1617052-9](#) [5407-0011-HS](#) [CB1AF-M-12V-H59](#) [5-](#)  
[1617346-8](#) [103-1AH-C-12VDC](#) [V23134A1052X299](#) [6-1393302-1](#) [897H-1AH-D-R1-U01-12VDC](#) [FTR-P3CP024W1-06](#) [1-1617057-8](#) [3-](#)  
[1393305-1](#) [5436-0001-HS](#) [V23086-R1851-A502](#) [V23136-A0004-X075](#) [898H-1AH-D1SW-R1-12VDC](#) [RH4C1P2607](#) [RE031005](#)  
[V23134M0052G242](#) [1393204-1](#) [23234B0001X001-EV-144](#) [AZ979-1A-24D](#) [2-1904020-1](#) [V23134B0052C642](#) [V23134B0053C642](#) [V23234-](#)  
[A1001-X036](#)