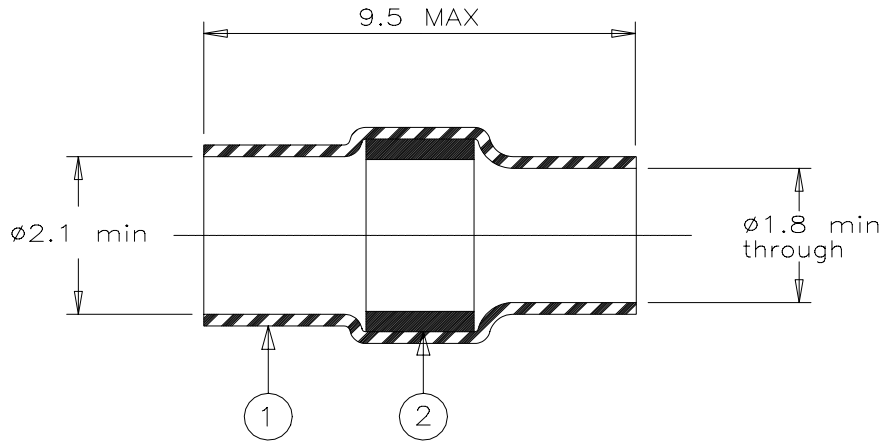


SPECIFICATION CONTROL DRAWING



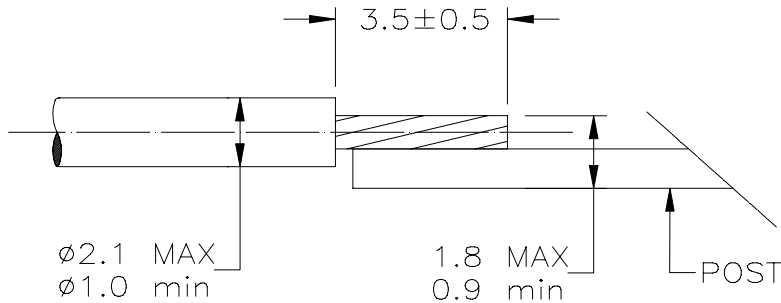
MATERIAL

1. INSULATION SLEEVE: Heat-shrinkable, radiation cross-linked modified polyvinylidene fluoride. Transparent blue.
2. SOLDER PREFORM WITH FLUX:
 SOLDER: TYPE Pb36 per ANSI J-STD-006.
 FLUX: TYPE ROL1 per ANSI J-STD-004.

APPLICATION

1. This controlled soldering device is designed for termination of a tin or silver plated copper stranded wire, having an insulation rated for at least +125°C, on to a post.
2. Temperature range: -55°C to +150°C.
3. For application tooling, consult your local RAYCHEM technical service.

For best results, prepare the cable as shown:



*A trademark of Raychem Corporation.

Raychem		THERMOFIT DEVICES	Raychem Corporation 300 Constitution Drive Menlo Park, CA 94025 USA	TITLE: SOLDERSLEEVE* DEVICE			
UNLESS OTHERWISE SPECIFIED DIMENSIONS ARE IN MILLIMETERS.				DOCUMENT NO.: W-040-10			
TOLERANCES: 0.00 N/A 0.0 N/A 0 N/A	ANGLES: N/A ROUGHNESS IN MICRON	Raychem reserves the right to amend this drawing at any time. Users should evaluate the suitability of the product for their application.		DCR NUMBER: D981084		REPLACES: W04010	
DRAWN BY: R. MAPALO	DATE: 06-29-98	REV.: C	DOC ISSUE: 1	SCALE: NONE	SIZE: A	SHEET: 1 of 1	

If this document is printed it becomes uncontrolled. Check for the latest revision

X-ON Electronics

Largest Supplier of Electrical and Electronic Components

Click to view similar products for [Solder & Shield Tubing](#) category:

Click to view products by [TE Connectivity](#) manufacturer:

Other Similar products are found below :

[CTC-0062-20-9/5-9](#) [CTC-0062-22-9/5-9](#) [680441-000](#) [D-150-0331CS2902](#) [D-181-1222-90/9CS2800](#) [D-300-01CS1108](#) [982127-1](#) [D-436-0127CS391](#) [D-436-0182CS246](#) [D-436-37CS2651](#) [D-436-58CS246](#) [D-436-61CS246](#) [D-436-82-CS2621](#) [D-750-0005CS2493](#) [E53797N001](#) [S200-2-01](#) [S200-4-00CS2904](#) [LSS-81-16AA-CS5575](#) [SO63-2-9036-22CS2677](#) [SO63-3-01CS293](#) [SO63-3-9036-20CS2677](#) [SO63-4-9036-20CS2677](#) [SO63-5-9036-22CS2677](#) [CC1525-000](#) [CTA-0025](#) [D-108-01CS227](#) [D-108-07CS436](#) [D-128-0010](#) [D-141-0108CS404](#) [D-142-51-202-7754](#) [D-144-41CS1371](#) [D-150-0231-NRCS2896](#) [B-801-18-01](#) [515-9](#) [C67137-000](#) [D-436-36CS2908](#) [D-436-37CS2908](#) [D-436-52CS246](#) [D-436-83CS2705](#) [D-438-0102](#) [LSS-26-8A](#) [427243-000](#) [D-106-2012](#) [D-300-08CS1108](#) [UWCS-2U/7.6-1C/5.8](#) [620026-000](#) [B-004-00](#) [140945-000](#) [NAS1744-3](#) [D-607-10](#)