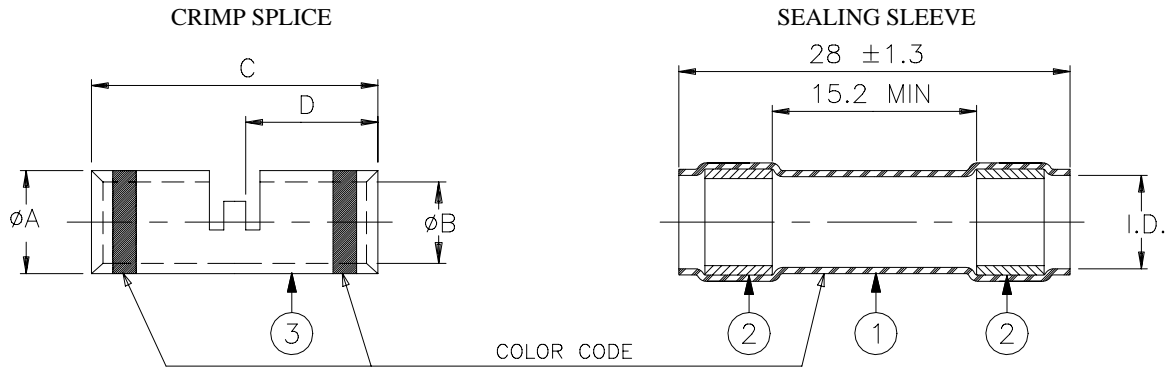


SPECIFICATION CONTROL DRAWING



Product Rev.	Splice/ Sleeve Color Code	Crimp Splice				Total Area of Conductor Accommodation		Sealing Sleeve	
		ϕA ± 0.08	ϕB ± 0.05	C ± 0.25	D ± 0.25	mm ²	CMA	Min. I.D. Supplied	ϕ MAX Fully Recovered
W-095-01	A Red	1.96	1.22	12.7	5.79	0.2 - 0.6	410 - 1230	2.16	0.63
W-095-02	A Blue	2.62	1.70	14.61	6.86	0.6 - 1.4	1180 - 2770	2.79	0.63
W-095-03	B Yellow	3.81	2.54	14.61	6.86	1.25 - 3.0	2650 - 5720	4.32	0.63

For possible wire combinations, refer to table given below in sq. mm and circular mil area for ISO stranded conductors.

AWG	24	22	20	18	16	14	12
Number and ϕ of Strands	19/0.118	19/0.15	19/0.2	19/0.25	19/0.30	37/0.25	37/0.315
Area mm ²	0.25	0.4	0.6	1	1.25	1.82	2.89
Area circ. mils	475	754	1216	1900	2426	3700	5720

MATERIALS

1. INSULATION SLEEVE: Heat-shrinkable, radiation cross-linked modified polyvinylidene fluoride. Color: see table.
2. MELTABLE SEALING RINGS: Thermally stabilized thermoplastic.
3. CRIMP SPLICE: Copper Alloy 101 or 102 per WW-T-775, nickel plated per QQ-N-290.

APPLICATION

1. This device provide an immersion resistant sealed in-line crimp splice for single wire splicing. Multiple in-line assemblies are also possible within the size range shown in the table above.
2. It is suitable for use with wire whose insulation is rated at 125°C minimum.
3. The device is rated at 150°C.
4. For installation procedure, see RPIP-685-00.

Raychem		THERMOFIT DEVICES		Raychem Corporation 300 Constitution Drive Menlo Park, CA 94025 USA		TITLE: CRIMP SPLICE, IN-LINE, SEALED			
UNLESS OTHERWISE SPECIFIED DIMENSIONS ARE IN MILLIMETERS.						DOCUMENT NO.: W-095-01/-02/-03			
TOLERANCES: 0.00 N/A 0.0 N/A 0 N/A		ANGLES: N/A ROUGHNESS IN MICRON		Raychem reserves the right to amend this drawing at any time. Users should evaluate the suitability of the product for their application.		DCR NUMBER: D981383		REPLACES: D971579	
DRAWN BY: M. FORONDA		DATE: 09/17/98		PROD. REV.: SEE TABLE		DOC ISSUE: 6		SCALE: None	
						SIZE: A		SHEET: 1 of 1	

If this document is printed it becomes uncontrolled. Check for the latest revision

X-ON Electronics

Largest Supplier of Electrical and Electronic Components

Click to view similar products for [Terminals](#) category:

Click to view products by [TE Connectivity](#) manufacturer:

Other Similar products are found below :

[00-054007-01074-6](#) [00-054007-70206-1](#) [00-054007-70210-8](#) [00-054007-70217-7](#) [00-054007-70226-9](#) [00-054007-70228-3](#) [00-054007-70248-1](#) [00-054007-70256-6](#) [00-054007-70301-3](#) [00-054007-70316-7](#) [00-054007-49560-4](#) [00-054007-70209-2](#) [00-054007-70225-2](#) [00-054007-70227-6](#) [00-054007-70231-3](#) [00-054007-70241-2](#) [00-054007-70242-9](#) [00-054007-70244-3](#) [00-054007-70246-7](#) [00-054007-70263-4](#) [00-054007-70288-7](#) [00-054007-70290-0](#) [00-054007-70300-6](#) [00-054007-70304-4](#) [01-2065-1-0216](#) [01-2900-1-04412](#) [00581P0075](#) [600TS-10](#) [60205-1](#) [604200-1](#) [605601-1](#) [60598-1-CUT-TAPE](#) [61314-6-C](#) [61810-3](#) [61-S](#) [61-SN](#) [626-0194](#) [62-NBM-A](#) [62-SN](#) [62-SP](#) [63-S](#) [640179-1](#) [M55155/059I03](#) [M55155/079C01](#) [M55155/099H02](#) [M55155/109H01](#) [M55155/109H02](#) [M55155/12XH05](#) [M55155/16XH02](#) [M55155/29-5S](#)