

THIS DRAWING IS UNPUBLISHED.

RELEASED FOR PUBLICATION

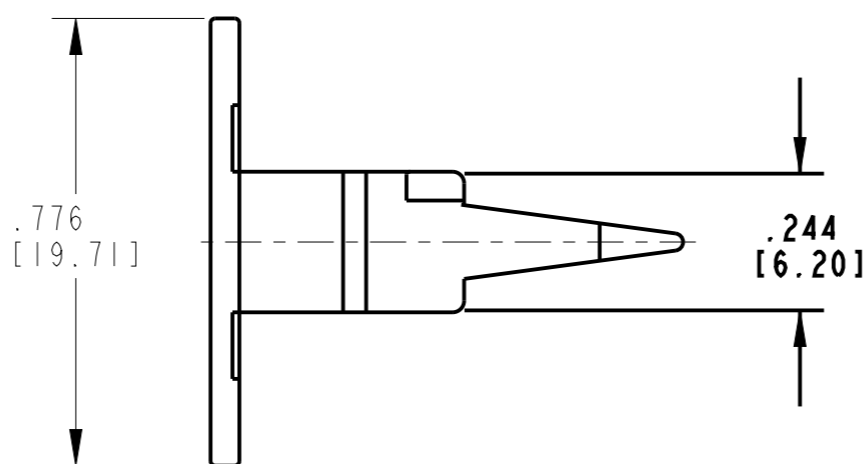
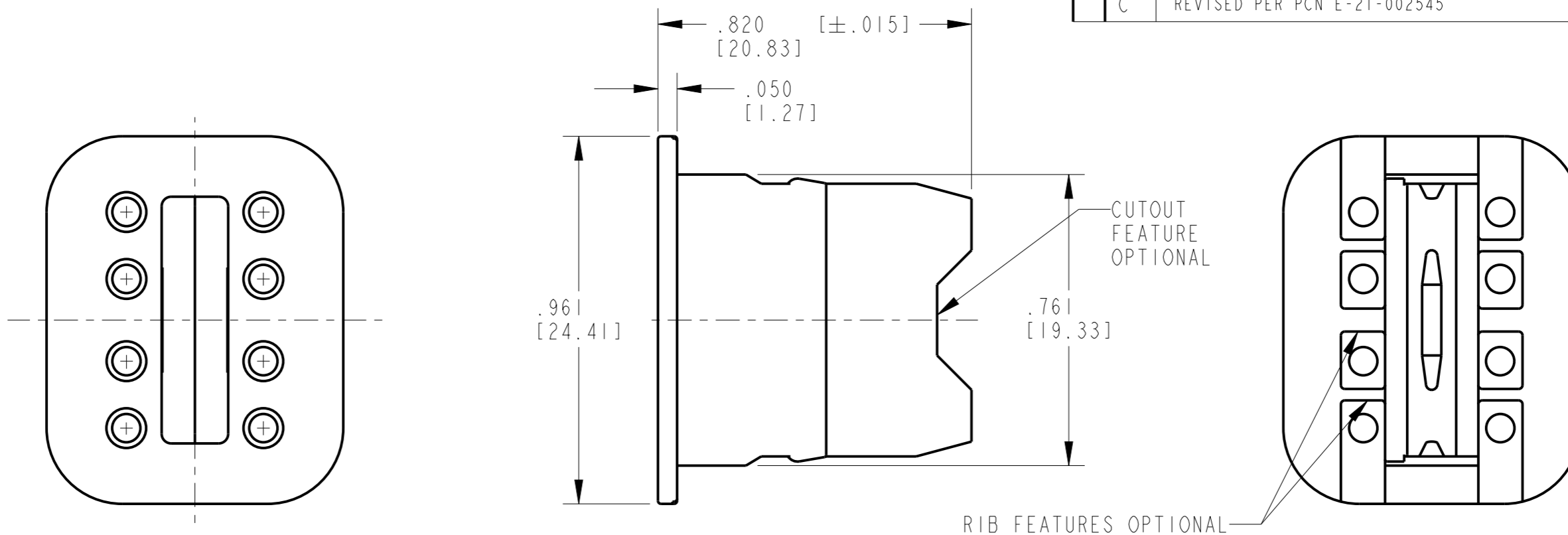
20

LOC - DIST -

REVISIONS

© COPYRIGHT 2021 TE Connectivity. All Rights Reserved. ALL RIGHTS RESERVED.

P	LTR	DESCRIPTION	DATE	DWN	APVD
	NC	NEW RELEASE PER E.O. A6889	10/9/87		JA
	A	REVISED PER E.O. A09299	2/12/90		JA
	B	REVISED PER E.O. P17509	11-28-01		RDR
	C	REVISED PER PCN E-21-002545	6/1/21	RLM	IG



1. USED WITH DT06-08SX-XXXX PLUG
 (X = A,B,C,D, KEY; XXXX = ALL MODIFICATIONS).
 CONSULT FACTORY FOR APPLICATION.

THIS DRAWING IS A CONTROLLED DOCUMENT.		DWN X. SANCHEZ 08NOV01	TE TE Connectivity	
DIMENSIONS: INCH [mm]		CHK A. ROLINSKI 11/26/01		
TOLERANCES UNLESS OTHERWISE SPECIFIED:		APVD S. BEARD 11-26-01	NAME WEDGE LOCK 8 WAY PLUG DT SERIES	
0 PLC ±-		PRODUCT SPEC 108-151009	RESTRICTED TO -	
1 PLC ±-		APPLICATION SPEC 114-151009	SIZE A3	CAGE CODE 4AFU8
2 PLC ±-		WEIGHT 1.8 G	DRAWING NO C=W8S	REV C
3 PLC ±.025[.064]		CUSTOMER DRAWING	SCALE 3:1	SHEET 1 OF 1
4 PLC ±-				
ANGLES ±-0°30'0"				
MATERIAL PBT GF30 ORANGE	FINISH			

X-ON Electronics

Largest Supplier of Electrical and Electronic Components

Click to view similar products for [Automotive Connectors](#) category:

Click to view products by [TE Connectivity](#) manufacturer:

Other Similar products are found below :

[003-018-000](#) [60403001](#) [60993906-B](#) [M902-2131](#) [M902-2161](#) [72.330.1035.1](#) [73.353.4028.0](#) [F119300-B](#) [F166900](#) [F258300-B](#) [F358300-B](#)
[F407400](#) [F444110](#) [F487000](#) [F509500B-B](#) [827153-1](#) [8N1515-32-24P](#) [9-1326729-8](#) [925474-1](#) [928905-1](#) [964562-4](#) [968782-1](#) [GT17SA-8DS-](#)
[HU](#) [98891-1012](#) [98947-1016](#) [12004147](#) [12004475-L](#) [12010290](#) [12010309-B](#) [12015454](#) [12020219-B](#) [12020308](#) [12041318-B](#) [12052225-L](#)
[12052466](#) [12059125](#) [12064869](#) [12004327-B](#) [12010503-B](#) [12015308](#) [12015384](#) [12015909](#) [1-21030-1](#) [12041254](#) [12041318](#) [12047946-B](#)
[12047957](#) [12047957-L](#) [12059473](#) [12066261](#)